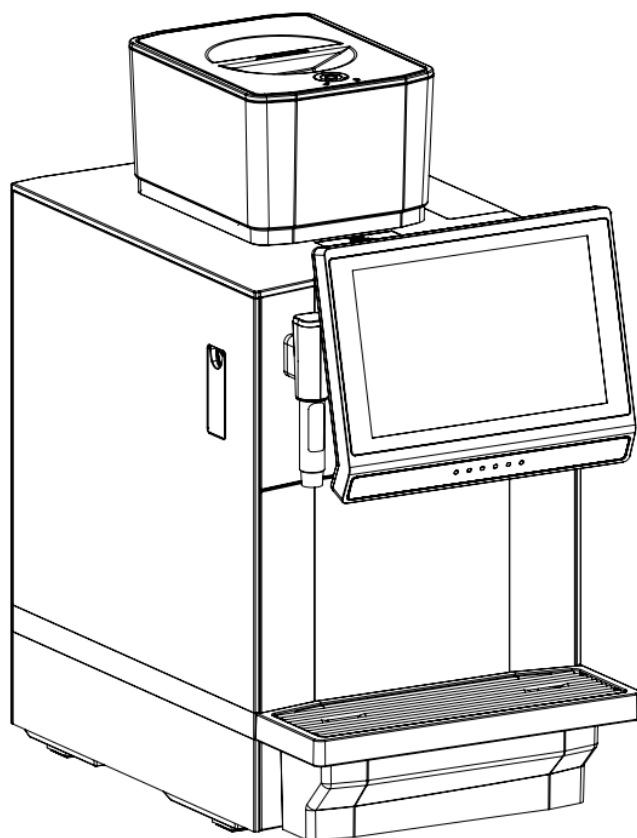


JL36A 零件手册

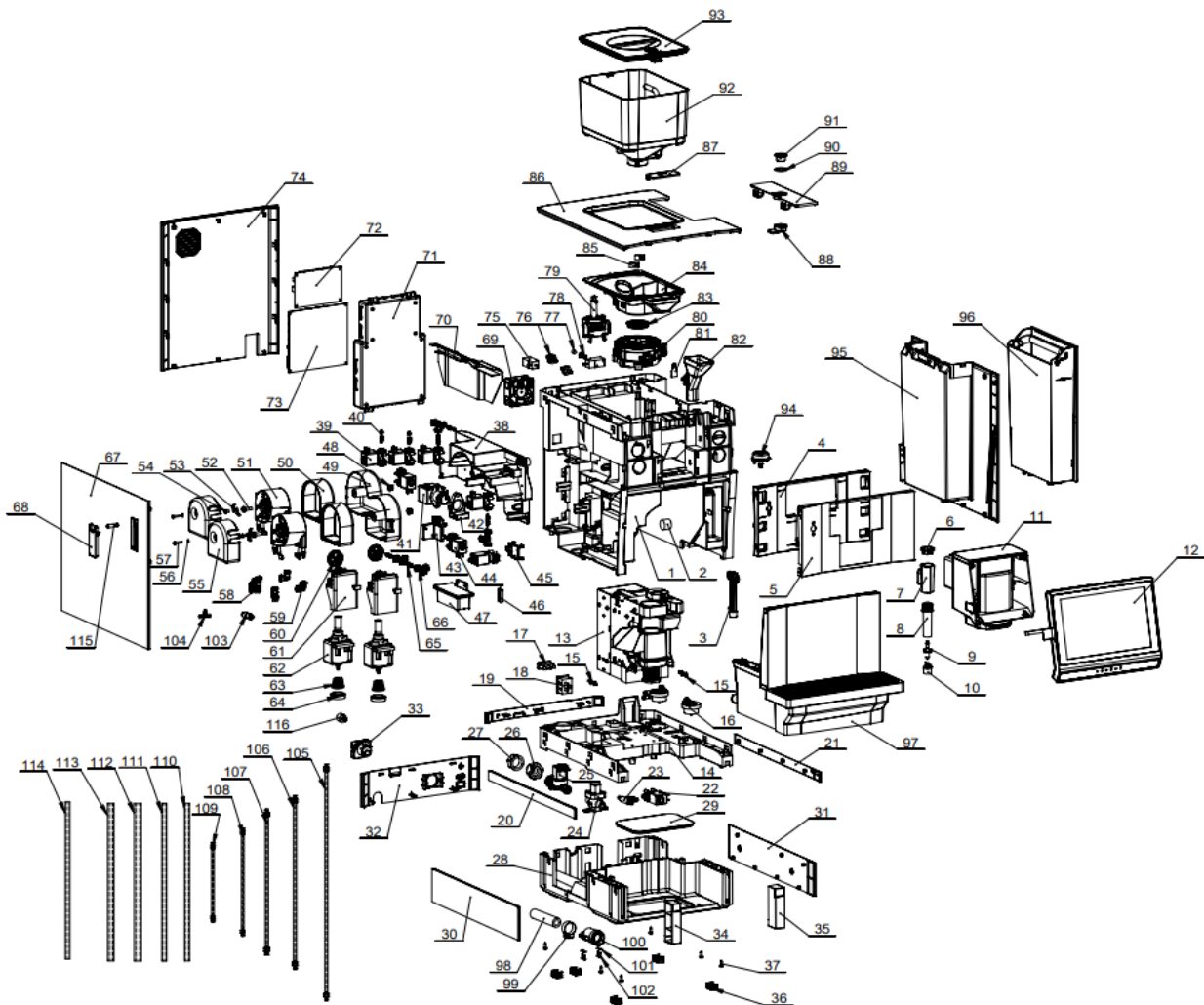
JL36A Parts Catalogues



文档历史记录 (Document History)

名称 Description	版本 Version	日期 Date	修改说明 Amend Record	参与人员 Name
JL36A 零件手册 JL36A Parts Catalogues	A	2024.11.19	新建 New	编写 Editor: 杨程 审核 Reviewed by: 批准 Approved by:

JL36A 零件手册 (Parts Catalogues)



编号 S/N	技诺料号 P/N	名称 Description	数量 Qty	页码 Page number
1	5111308300	JL15&30 框架 JL15&30 Frame	1	2
2	6306064400	抽湿进风口聚醚海绵 Dehumidifying Air Inlet Polyther Sponge	1	2
3	5111309500	JL15&30 研磨器调节钥匙 JL15&30 Grinder Adjust Key	1	2
4	5111332000	JL36 框架前上面板 JL36 cabinet front upper cover	1	7
5	5133282500	JL36 框架前上面板 (不锈钢) JL36 cabinet front upper cover (stainless)	1	2
6	5111335600	JL36 热水嘴上盖 JL36 Hot Water outlet cover	1	11~14
7	5111335300	JL36 热水嘴支架 JL36 hot water outlet support	1	2
8	5111322700	JL31 热水嘴下盖连接支架 JL36 hot water outlet fixed sheet	2	2
9	5111320100	JL32 独立热水嘴 JL36 hot water outlet	1	2
10	5111096600	热水嘴下盖 hot water outlet lower cover	1	2

Copying or forwarding the contents shall be subject to the written permission of JETINNO

JL36A 零件手册 (Parts Catalogues)

11	3111308200	JL36 滑动出嘴组件 JL36 Sliding-out nozzle assembly	1	7
12	3111298200	JL36 显示触摸屏模组 JL36 Display touchscreen module	1	9
13	2101051700 2101051600	S20 咖啡酿造器& S14 咖啡酿造器 S20 Coffee Brewer& S14 Coffee Brewer	1	11~14
14	5111308400	JL15&30 中座 JL15&30 Centre Seat	1	2
15	5133145600	接水盘弹片 Drip Tray Shrapnel	2	2
16	5405102100	流量计 GMEHK3600002003 Flowmeter GMEHK3600002003	2	2
17	5406100700	黑色 3 脚船型开关 Black 3-pin rocker switch	1	2
18	5404076700	16A 电源插座(国标+欧标) 16A power socket (China standard + Euro standard)	1	2
19	5111333300	JL36 框架后侧中盖板 JL36 frame rear middle cover plate	1	2
20	5111333100	JL36 框架左侧中盖板 JL36 frame left middle cover plate	1	2
21	5111333200	JL36 框架右侧中盖板 JL36 frame right middle cover plate	1	15
22	3405057700	接硅胶两位二通阀 Connecting Silicone 2P2W Valve	1	2
23	3201062600	硅胶管 4 通接头 Silicone tube 4-way connector	1	2
24	3405053900	鼎臣减压阀 Release Valve	1	2
25	3405057100	快插式进水电磁阀 (M-126F029) Quick-plug Inlet Solenoid Valve (M-126F029)	1	2
26	3201055500	进水阀接头 Inlet valve connector	1	2
27	3201065500	进水阀封盖 Inlet valve cover	1	2
28	5111331900	JL36 底座 JL36 base stand	1	2
29	5111336400	JL36 废渣外排孔盖 JL36 Waste bin outlet hole cover	1	2
30	5111333500	JL36 底座左盖板 JL36 base left cover plate	1	2
31	5111333400	JL36 底座右盖板 JL36 base right cover plate	1	2
32	5111335700	JL36 底座后盖板 JL36 base rear cover plate	1	2
33	3111281500	JL15&30 手动切换阀组件 JL15&30 Manual Switching Valve Assembly	1	14
34	5111333700	JL36 底座前左盖板 JL36 base front left cover plate	1	2
35	5111333600	JL36 底座前右盖板 JL36 base front right cover plate	1	2
36	5111316800	JL15&30 地脚 JL15&30 Footing	4	2
37	5302054300	镀环保锌梅花槽盘头尖尾自攻螺钉 ST3.9*12 Zinc Plated Plum Flute Pan Head Point Tail Tapping Screw	39	2

Copying or forwarding the contents shall be subject to the written permission of JETINNO

JL36A 零件手册 (Parts Catalogues)

		ST3.9*12		
38	5111335800	JL36 锅炉组件隔热座 JL36 Boiler Assembly Base	1	2
39	3405057500	卡扣式两位二通阀 Snap-type 2P2W Valve	6	2
40	5111314100	D4 卡扣转硅胶管接头 D4 Clip-to-silicone tube connector	4	2
41	3405058700	夹管阀 Tube clamp valve	1	2
42	5111335900	JL36 夹管阀安装座 JL36 Tube clamp valve fixed base	1	2
43	5111317000	JL15&30 RELEASE 阀固定座 JL15&30 Release Valve Fixed Base	1	2
44	3405057300	卡扣式宝塔两位三通阀 Snap-type Pagoda 2P3W Valve	1	2
45	5111317100	JL15&30 ES 阀固定座 JL15&30 ES Valve Fixed Base	2	2
46	5403050100	干簧管长闭型 ORT551(不带磁铁) Reed Switch ORT551 (without magnet)	4	2
47	3114000400	JL15&30 蒸汽冷凝盒超声波焊接组件 JL15&30 Ultrasonic Welding Assembly for Steam Condensate Box	2	2
48	5303050700	M6 法兰螺母 M6 Flange Nut	2	2
49	5111308800	JL15&30 锅炉组件底座 JL15&30 Boiler Assembly Base	2	2
50	5117051600	JL15&30 锅炉下盖 JL15&30 Boiler Lower Cover	2	2
51	3404052800	卡扣式锅炉(金田)_110V_1500W Snap-type Boiler 110V_1500W	2	2
52	35301358700	镀环保锌梅花槽盘头螺钉 M6×18 Zinc Plated Plum Flute Pan Head Screw M6*18	2	2
53	5133063300	锅炉保险丝压片 Boiler Fuse Press	4	2
54	5301356700	梅花槽盘头螺钉 M4*8 Plum Flute Pan Head Screw M4*8	2	2
55	5117051500	JL15&30 锅炉上盖 JL15&30 Boiler Upper Cover	2	2
56	5305051400	平垫圈 3 GBT97.1 Flat Washer 3 GBT97.1	2	2
57	5301358900	不锈钢梅花槽盘头法兰螺钉 M3*16 Stainless Steel Plum Flute Pan Head Flange Screw M3*16	2	2
58	3201066800	卡扣式 F 型三通接头 D4 F-type Snap 3W Connector	1	2
59	5111330400	卡扣式 L 型 D4 接头 Snap-type L-D4 Connector	2	2
60	3114000200	卡扣式稳流阀组件 Snap-type Stable-flow Valve Assembly	2	2
61	5116301500	电磁泵减震支架 Electromagnetic Pump Shock Absorbing Holder	2	2
62	3403055500	ARS 高压柱塞泵 CP4 ARS high pressure piston pump CP4	2	2
63	5115053600	电磁泵减震弹簧 Electromagnetic Pump Shock Absorbing Spring	2	2

Copying or forwarding the contents shall be subject to the written permission of JETINNO

JL36A 零件手册 (Parts Catalogues)

64	5116301700	水泵防震护圈 Water Pump Anti-vibration RingS	2	2
65	5111314000	D4 两端卡扣连接头 D4 Dual-end clip connector	4	2
66	5111103000	卡扣式 T 型三通接头 D4 Clip-on T-shaped tee connector D4	5	2
67	5111332600	JL36 框架左侧盖 JL36 frame left plate	1	2
68	5111332700	JL36 方形奶孔盖板 Square milk pipe hole cover plate	1	2
69	3402052500	24V 风扇 6025 24V Fan 6025	1	2
70	5111308700	JL15&30 抽风通道 JL15&30 Exhaust Channel	4	2
71	3111281200	JL15&30PCBA 固定组件 JL15&30 PCBA Fixed Assembly	1	15
72	3311063300	JL30-IO JL30 IO board	1	2
73	3311065700	JL15-30 POWER PCBA V1.6 JL15-30 POWER PCBA V1.6	1	2
74	5111332800	JL36 框架后侧盖 JL36 frame rear plate	1	2
75	3405057600	空气阀 24V Air Valve 24V	2	2
76	3201067000	膜片单向阀 Diaphragm check valve	2	2
77	5111303400	进气嘴 Air Inlet Nozzle	1	2
78	5208053200	7X7 海绵 7*7 Sponge	2	2
79	3111281100	立式粗细调节组件 Vertical Thickness Assembly	1	16
80	2103053800	SGH64 研磨器(JL36) SGH64 Grinder (JL36)	1	18
81	5126051900	出粉嘴挡片 Powder outlet block plate	1	2
82	5111309100	JL15&30 出粉嘴 JL15&30 coffee powder outlet	1	2
83	5116303800	JL15&30 豆盒底座与研磨器密封圈 JL15&30 Bean Hopper Base and Grinder Seal	4	2
84	5111339900	JL36 豆盒底座 JL36 Bean Hopper Base	1	2
85	5405101300	豆传感器 (JL15&JL30) Bean detected Sensor (JL15&30)	1	2
86	5111332500	JL36 顶盖 JL36 Top cover	1	2
87	5111313800	JL15&30 粉料盖 JL15&30 Powder Cover	1	2
88	5111334600	JL36 塑胶锁钩 JL36 Plastic locking hook	1	2
89	5111332100	JL36 小水箱盖 JL36 air break cover	1	2
90	5116304900	JL36 塑料紧锁垫圈 JL36 plastic locking washer	1	2

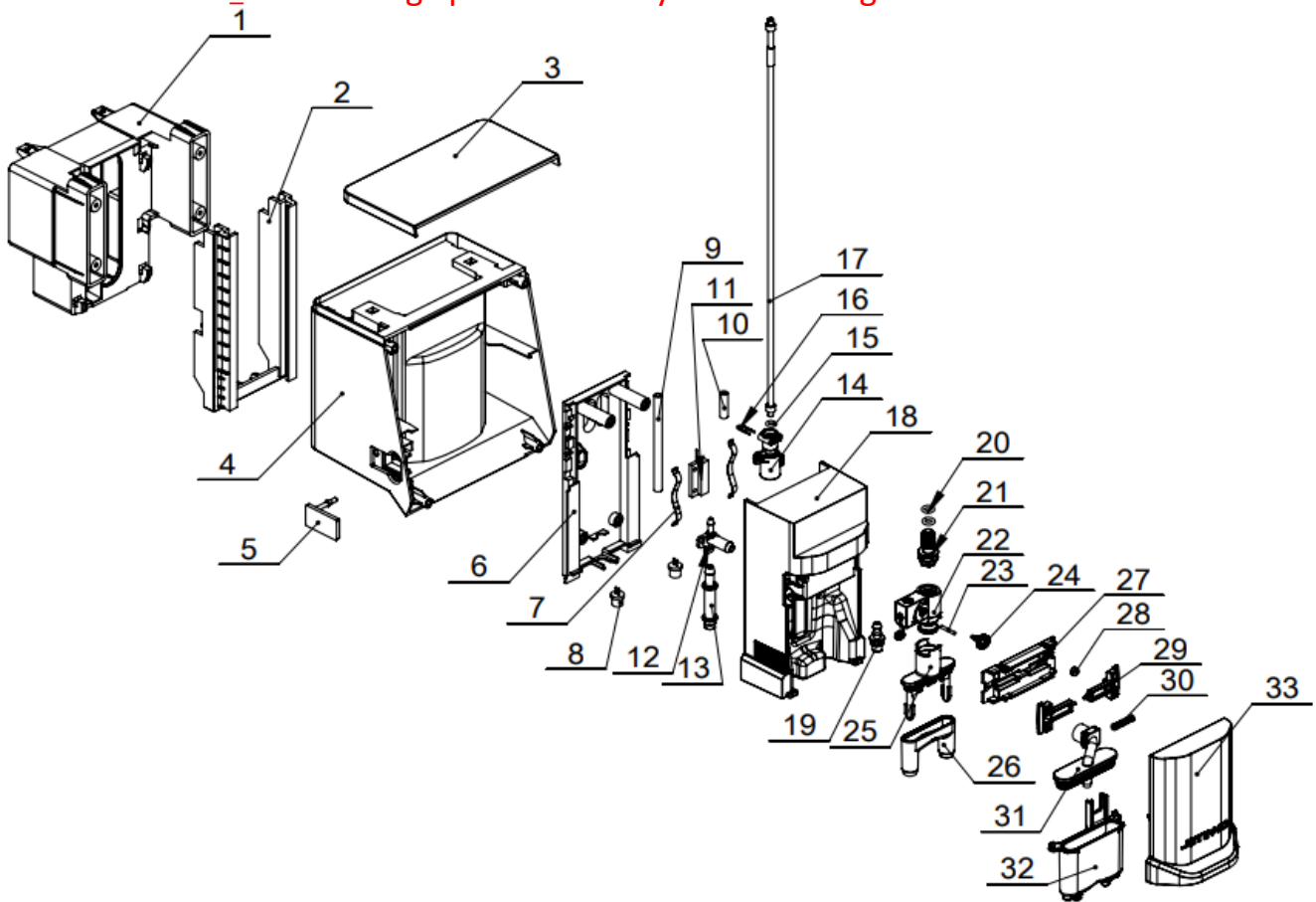
Copying or forwarding the contents shall be subject to the written permission of JETINNO

JL36A 零件手册 (Parts Catalogues)

91	5111334500	JL36 塑胶锁芯 JL36 Plastic lock core	1	2
92	3111307800	JL36 豆盒组件 JL36 Hopper assembly	1	19
93	3111299600	JL36 豆盒盖组件 JL36 Hopper lid assembly	1	20
94	3111281400	JL15&30 水箱过滤组件 JL15&30 Water Tank Filter Assembly	1	21
95	5111332900	JL36 框架右侧盖 JL36 Frame right plate	1	2
96	3111299000	JL36 水箱组件 JL36 air break assembly	1	22
97	3111307900	JL36 废水盒组件 JL36 drip tray assembly	1	23
98	5207052000	10x14 硅胶管黑色 External Drainpipe	1	2
99	5209102100	304 不锈钢钢箍 (14-27) 304 Stainless Steel Hoop (14-27)	1	2
100	5116302000	储藏式水管前支架 External Drainpipe Connector	1	2
101	5305051400	平垫圈 3 GBT97.1 Flat Washer 3 GBT97.1	4	2
102	5302054600	镀环保锌梅花槽盘头尖尾自攻螺钉 ST2.9*10 Zinc Plated Plum Flute Pan Head Point Tail Tapping Screw ST2.9*10	4	2
103	3201052000	4mm I 型快速接头 (白) 4mm Type I Quick Connector (White) (Beige plastic part (PPSU))	1	2
104	3201066900	宝塔三连接头 D4 Baota three-way connector	3	2
105	5207065000	2X4 单端铜套特氟龙管 300MM 2X4 single-ended copper sleeve teflon tube 300mm	1	2
106	5207064900	2X4 铜套特氟龙管 220MM 2X4 copper sleeve Teflon pipe 220MM	2	2
107	5207059800	2X4 铜套特氟龙管 185MM 2X4 copper sleeve Teflon pipe 185MM	1	2
108	5207059600	2X4 铜套特氟龙管 170MM 2X4 copper sleeve Teflon pipe 170MM	3	2
109	5207059500	2X4 铜套特氟龙管 125MM 2X4 copper sleeve Teflon pipe 125MM	3	2
110	5207051300	英制 1/4 特氟龙管 English 1/4 Teflon tube	2.5	2
111	5207064100	4X6 硅胶管 (硅胶管) 4mm X 6mm transparent silicone tube	0.9	2
112	5207053700	5x9 硅胶管 (乳白色半透明) 5x9 silicone hose (milky white semi transparent)	1	2
113	5207061000	4X8 硅胶管 4X8 silicone hose	2	2
114	5207056500	3.5X6 硅胶软管 (透明) 3.5x6 silicone hose (milky white semi transparent)	0.5	2
115	5114071800	奶管金属接头 Milk tube metal joint	1	2
116	3201065300	过滤头 Filter head(White plastic part (PP))	1	2

Copying or forwarding the contents shall be subject to the written permission of JETINNO

11、3111308200_JL36 Sliding Spout Assembly Parts Catalogues



11、3111281800_JL36 Sliding Spout Assembly (List)

编号 S/N	技诺料号 P/N	名称 Description	数量 Qty	页码 Page number
11-1	5111333800	JL36 头部支架 JL36 Head Holder	1	7
11-2	5111310000	JL15&30 出嘴滑槽 JL15&30 Spout Slide Rail	1	7
11-3	3111281900	JL15&30 滑动出嘴组件 JL15&30 Sliding Spout Assembly	1	8
11-4	5111335100	JL36 固定座上盖板 JL36 Upper cover plate of the mounting base	1	7
11-5	5111335200	JL36 显示屏组件固定座 JL36 Display Assembly Fixed Base	1	7
11-6	5116302800	JL15&30 USB 口密封胶垫 2 JL15&30 USB Port Glue Cushion 2	1	7
11-7	5111309900	JL15&30 滑动出嘴后盖板 L15&30 Sliding Spout rear cover	1	7
11-8	5133200700	JL15&30 滑动出嘴弹片 JL15&30 Sliding Spout Shrapnel	1	10
11-9	5207064100	4X6 硅胶管 (透明) 4X6 Silicone tube (transparent)	0.9	7

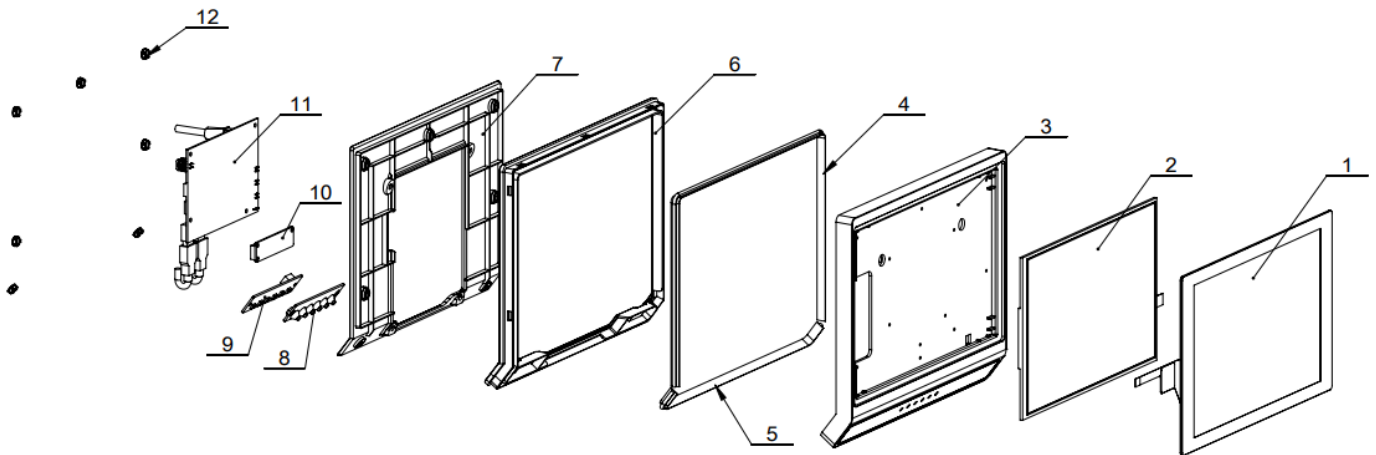
Copying or forwarding the contents shall be subject to the written permission of JETINNO

JL36A 零件手册 (Parts Catalogues)

11-10	5207065700	2X6 透明硅胶管 2X6 Silicone tube (transparent)	0.3	7
11-11	5403050100	干簧管长闭型 ORT551(不带磁铁) Reed Switch ORT551 (without magnet)	1	7
11-12	5111314200	JL15&30 咖啡出嘴接头 JL15&30 Coffee Spout Connector	1	7
11-13	5111314400	JL15&30 热水嘴 JL15&30 Hot Water Spout	1	7
11-14	5111313900	JL15&30 蒸汽空气卡扣式接头 JL15&30 Steam-Air Snap-type Connector	1	7
11-15	5206053100	4x2 卡扣式接头密封圈 4x2 Clip-on connector sealing ring	1	7
11-16	5115053300	4x2 卡扣式接头卡环 4x2 Clip-on connector snap ring	1	7
11-17	5207059900	2X4 铜套特氟龙管 335MM 2X4 Copper sleeve Teflon tube 335MM	1	7
11-18	5111334000	JL36 滑动出嘴 JL36 Sliding Spout	1	7
11-19	5111334200	JL36 奶管接头 JL36 Milk connector	1	7
11-20	5206053000	6*4 卡扣式接头密封圈 6*4 Snap-type Seal Ring	2	8
11-21	5111100000	蒸汽喷嘴 Steam Spout	1	7
11-22	5116304800	JL36 鲜奶发泡腔 JL36 Fresh milk frothing chamber	1	7
11-23	5307050200	圆柱销 2X14 Cylindrical pin 2x14	1	7
11-24	5111329800	温度调节螺丝 (限位款) Temperature adjustment screw (with limiter)	1	7
11-25	5111316600	JL15&30 鲜奶出嘴流道封盖 JL15&30 Fresh Milk Spout Cover Plate	1	7
11-26	5111310600	JL15&30 鲜奶出嘴流道 JL15&30 Fresh Milk Spout	1	7
11-27	5111310200	JL15&30 出嘴盖板卡扣安装座 JL15&30 Spout LOGO Cover Plate Snap Mounting Base	1	7
11-28	5205052100	钕铁硼磁铁直径 Ø6*厚度 3 NdFeB Magnet Ø6*3	1	7
11-29	5111312300	JL15&30 出嘴盖板卡扣 JL15&30 Spout LOGO Cover Plate Snap	2	7
11-30	5115055100	JL15&30 出嘴盖板卡扣弹簧 JL15&30 Spout LOGO Cover Plate Snap Spring	1	7
11-31	5111316400	JL15&30 出嘴咖啡通道密封橡胶 JL15&30 Coffee Spout Seal Rubber	1	7
11-32	5111310500	JL15&30 出嘴咖啡通道 JL15&30 Coffee Spout		
11-33	5111334300	JL36 出嘴盖板 JL36 nozzle cover plate	1	7

Copying or forwarding the contents shall be subject to the written permission of JETINNO

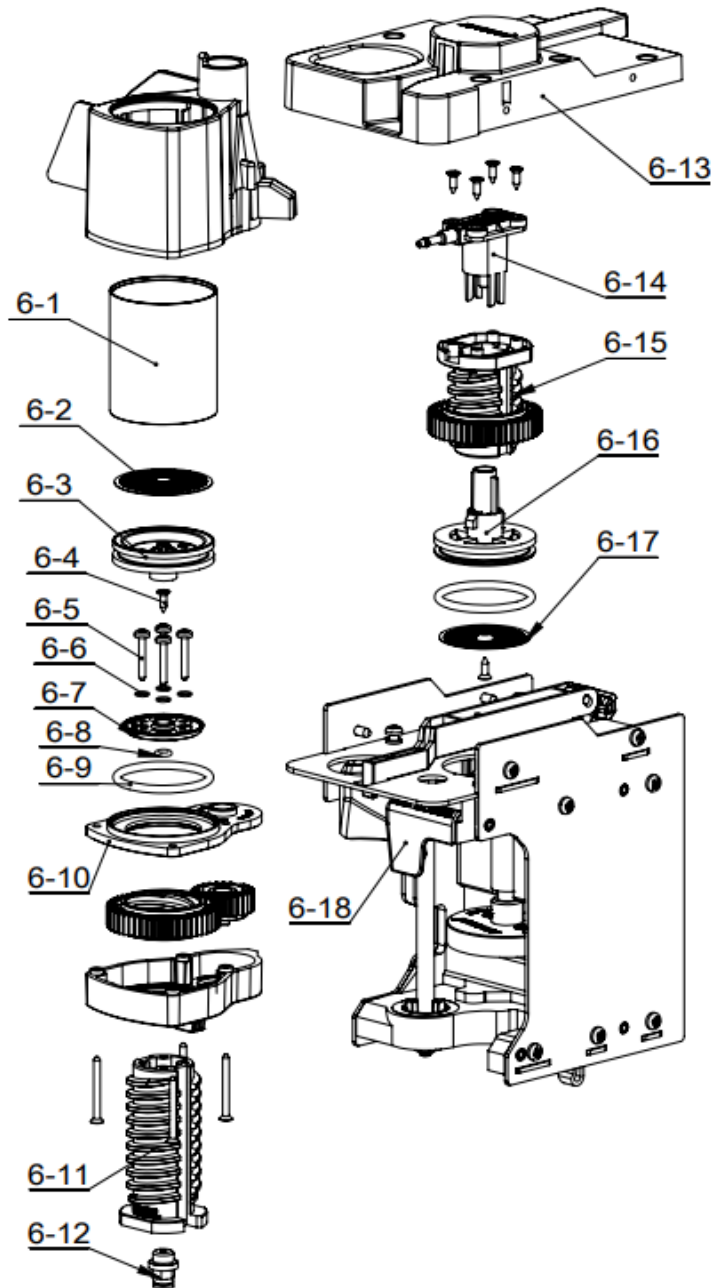
12、3111298200_JL36 Display and touch screen assembly Parts Catalogues



12、3111298200_JL36 Display and touch screen assembly (List)

编号 S/N	技诺料号 P/N	名称 Description	数量 Qty	页码 Page number
12-1	3406056900	JL36 10.1 寸触摸屏 JL36 10.1 inch touch screen	1	9
12-2	3409100500	10.1 寸显示屏_MIPI (SQ) 10.1 inch display MIPI (SQ)	1	9
12-3	5111334700	JL36 显示屏主框 JL36 Main display screen frame	1	9
12-4	3313068200	RGB 灯带 2 (625.5X8X3mm) RGB LED light strip 2 (625.5X8X3mm)	1	9
12-5	3313068100	RGB 灯带 1 (312.5X8X3mm) RGB LED light strip 1 (625.5X8X3mm)	1	9
12-6	5111334800	JL36 显示屏灯框 JL36 Main display screen frame	1	9
12-7	5111334900	JL36 显示屏后盖 JL36 Display screen rear cover	1	9
12-8	5111335000	JL36 LED 导光件 JL36 LED Light guide component	1	9
12-9	3311065200	3 色 6LED 灯板 3-color 6-LED light board	1	9
12-10	3311063900	RGB-LED 驱动板 RGB-LED driver board	1	9
12-11	3311063200	JNMB-A133 V1.1 JNMB-A133 V1.1	1	9
12-12	5116305000	JL36 显示屏橡胶封盖 JL36 display screen rubber cover	7	9

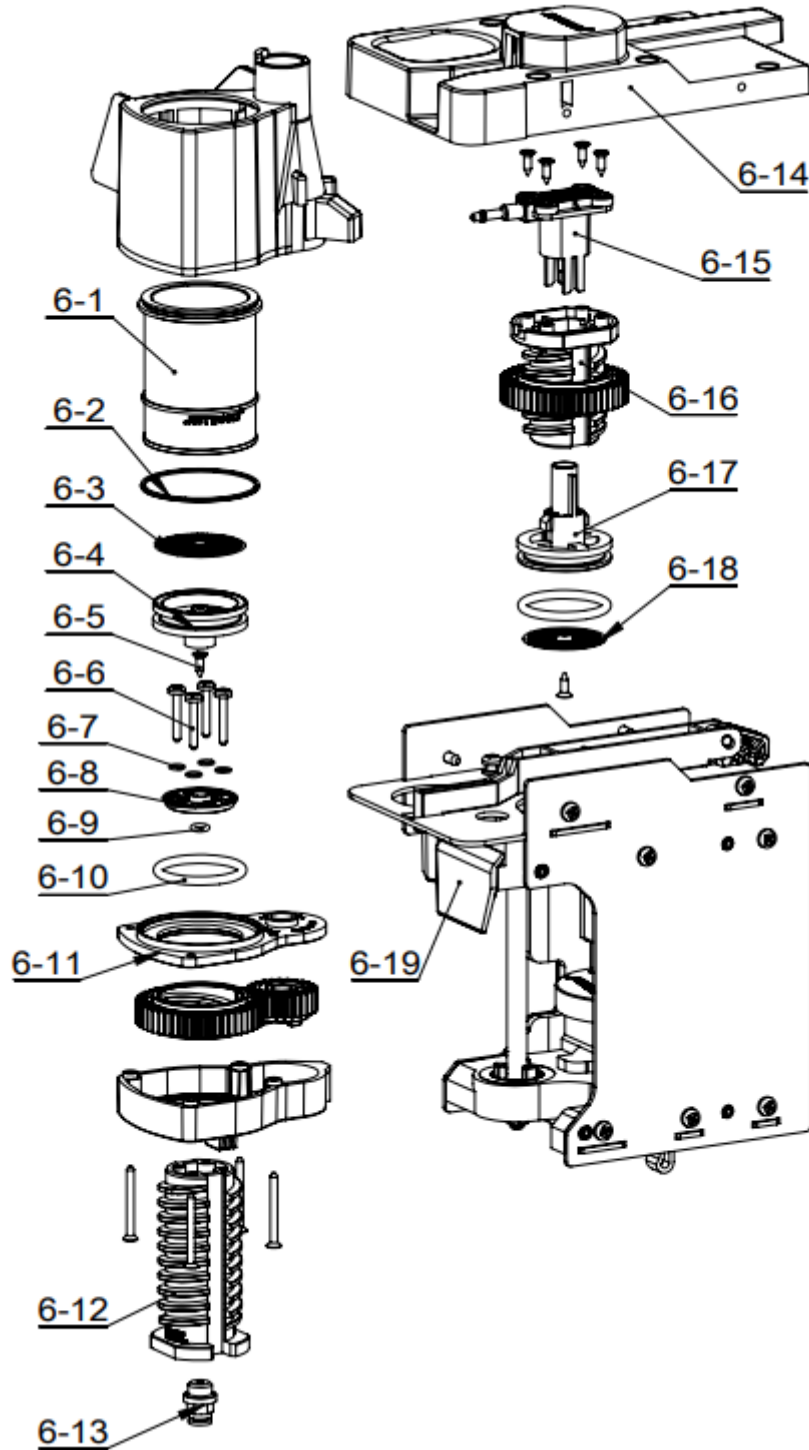
13、2101051700_ S20 Coffee Brewer (Parts Catalogues)



13、2101051700_ S20 Coffee Brewer (List)

编号 S/N	技诺料号 P/N	名称 Description	数量 Qty	页码 Page number
13-1	5114054900	20g 不锈钢酿造腔 20g stainless steel brewing chamber	1	11
13-2	5112051300	20g 下滤网 20g lower Filter	1	11
13-3	5111322300	20G 下柱塞(PA6) 20g lower plunger (PA6)	1	11
13-4	5302050700	不锈钢沉头自攻螺丝 ST2.9X9.5 Stainless steel countersunk self-tapping screw ST2.9x9.5	2	11
13-5	5302052800	不锈钢十字槽大盘头自攻螺丝 ST2.9x20 Stainless steel cross recessed pan head self-tapping screw ST2.9x20	4	11
13-6	5116052900	下柱塞安装孔密封圈 ID4.7x0.9 Lower plunger mounting hole sealing ring ID4.7x0.9	1	11
13-7	5111075300	20g 隔水片 20g water proof	1	11
13-8	5206050600	O 型圈 ID4x1.8 O ring- ID4x1.8	1	11
13-9	5206051900	D45X3.5 硅胶 O 形圈 ID4x1.8 silicone O ring	2	11
13-10	5111068200	齿轮箱盖 Gearbox cover	1	11
13-11	5111068500	下丝杆 Lower piston screw	1	11
13-12	3201065100	D4 外螺纹 G1-8 金属接头(Cmatic) D4 external thread G1/8 metal connector (Cmatic)	1	11
13-13	5111306900	新酿造器上盖 New brewer upper cover	1	11
13-14	5111316900	L 型咖啡出水嘴 L shape coffee outlet	1	11
13-15	5111067200	上丝杆 Upper piston screw	1	11
13-16	5111322200	20G 上柱塞(PA6) 20G upper plunger (PA6)	1	11
13-17	5112054700	20G 二型上滤网 20G // upper Filter	1	11
13-18	5111075400	20g 咖啡渣刮片 20g ES Wiper	1	11

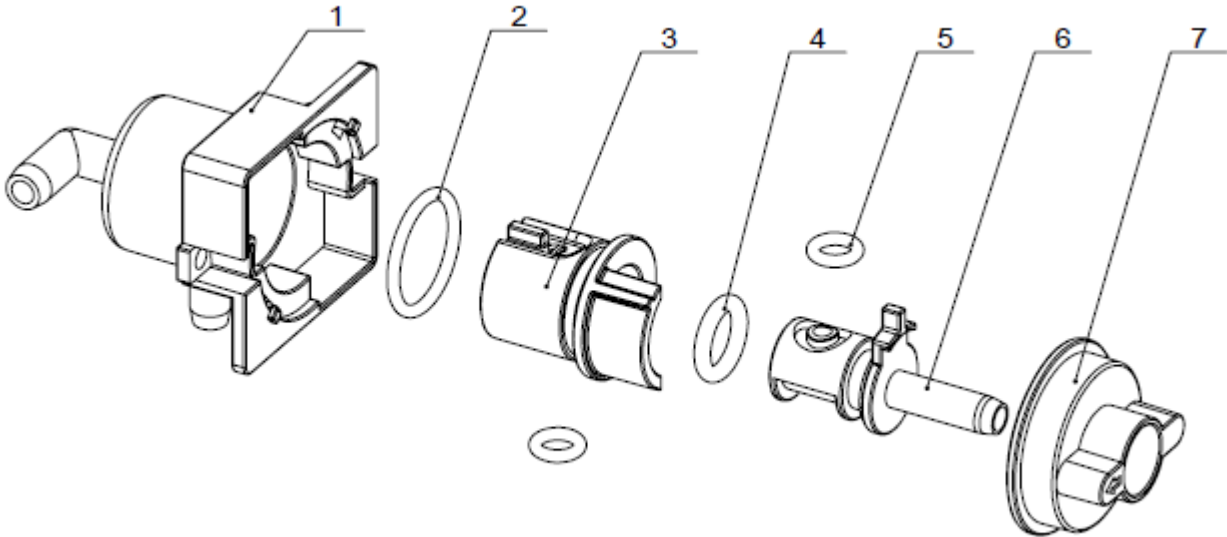
13、2101051600_ S14 Coffee Brewer (Parts Catalogues)



13、2101051600_ S14 Coffee Brewer(List)

编号 S/N	技诺料号 P/N	名称 Description	数量 Qty	页码 Page number
13-1	5111322100	14G 酿造筒(PA6) 14G Brewing cylinder (PA6)	1	13
13-2	5116052200	酿造筒密封圈 Brewing cylinder cylinder	1	13
13-3	5123059600	下柱塞滤网(大) Lower Filter (big)	1	13
13-4	5111322000	14G 下柱塞(PA6) 14g lower plunger	1	13
13-5	5302050700	不锈钢沉头自攻螺丝 ST2.9X9.5 Stainless steel countersunk self-tapping screw ST2.9x9.5	2	13
13-6	5302052800	不锈钢十字槽大盘头自攻螺丝 ST2.9x20 Stainless steel cross-recessed pan head self-tapping screw ST2.9x20	4	13
13-7	5206050800	下柱塞安装孔密封圈 ID4.7x0.9 Lower plunger mounting hole sealing ring ID4.7x0.9	1	13
13-8	5111068700	隔水片 Water proof	1	13
13-9	5206050600	O 型圈 ID4x1.8 O ringID4x1.8	1	13
13-10	5206050800	ID30x3.5 O 型圈 ID30x3.5 O ring	2	13
13-11	5111068200	齿轮箱盖 Gearbox cover	1	13
13-12	5111068500	下丝杆 Lower piston screw	1	13
13-13	3201065100	D4 外螺纹 G1-8 金属接头(Cmatic) D4 external thread G1/8 metal connector (Cmatic)	1	13
13-14	5111306900	新酿造器上盖 New brewer upper cover	1	13
13-15	5111316900	L 型咖啡出水嘴 L-shaped coffee outlet nozzle	1	13
13-16	5111067200	上丝杆 Upper piston screw	1	13
13-17	5111321900	14G 上柱塞(PA6) 14G upper plunger (PA6)	1	13
13-18	5112054000	14G 上小孔滤网 14g upper Filter (small hole)	1	13
13-18	5121052200	咖啡渣刮片 ES wiper	1	13

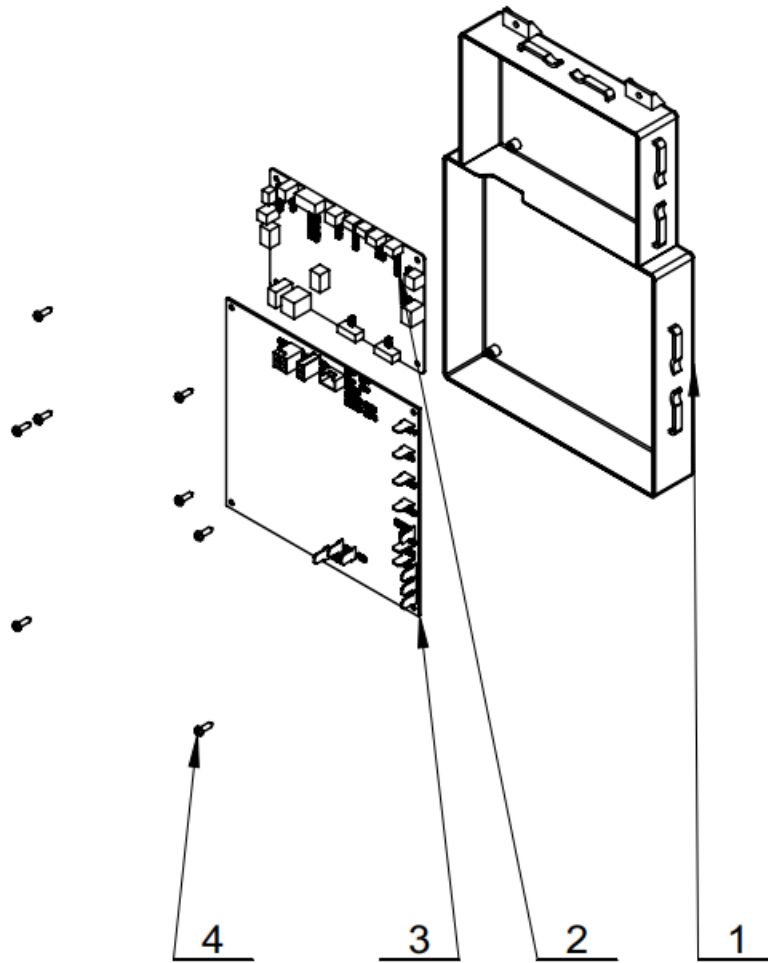
33、3111281500_JL15&30 Manual Switching Valve Assembly (Parts Catalogues)



33、3111281500_JL15&30 Manual Switching Valve Assembly (List)

编号 S/N	技诺料号 P/N	名称 Description	数量 Qty	页码 Page number
33-1	5111311300	JL15&30 手动切换阀固定座 JL15&30 Manual Switching Valve Fixed Base	1	14
33-2	5206055000	JL15&30 手动切换阀旋钮密封圈 JL15&30 Manual Switching Valve Seal Ring	1	14
33-3	5111311500	JL15&30 手动切换阀旋钮 JL15&30 Manual Switching Valve Knob	1	14
33-4	5206054900	JL15&30 手动切换阀接头密封圈 JL15&30 Manual Switching Valve Connector Seal Ring	1	14
33-5	5206054800	JL15&30 手动切换阀出水端密封圈 s JL15&30 Manual Switching Valve Outlet Seal Ring	2	14
33-6	5111311600	JL15&30 手动切换阀接头 JL15&30 Manual Switching Valve Connector	1	14
33-7	5111311400	JL15&30 手动切换阀旋钮盖 JL15&30 Manual Switching Valve Knob Cover	1	14

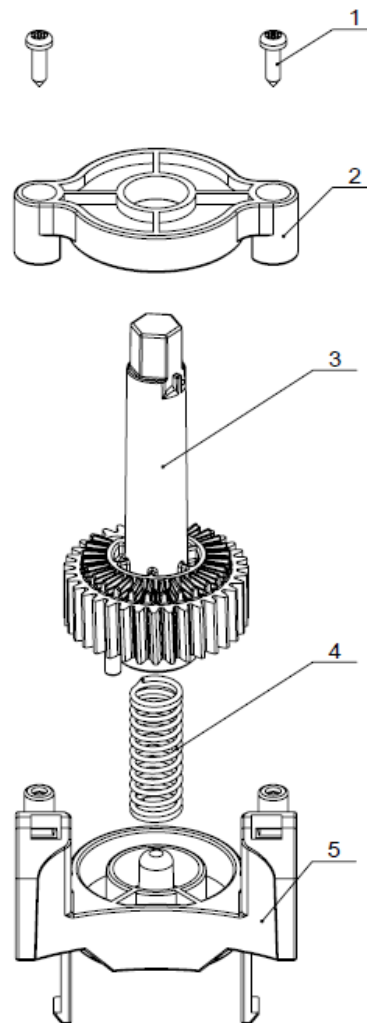
71、3111281200_JL15&30 PCBA Fixed Assembly (Parts Catalogues)



71、3111281200_JL15&30 PCBA Fixed Assembly (List)

编号 S/N	技诺料号 P/N	名称 Description	数量 Qty	页码 Page number
71-1	5111308600	JL15&30PCBA 固定支架 JL15&30 PCBA Fixed Holder	1	15
71-2	3311063300	JL30_IO 板 JL30_IO board	1	15
71-3	3311063500	JL15-30 POWER PCBA V20	1	15
71-4	530205460	镀环保锌梅花槽盘头尖尾自攻螺钉 ST2.9*10 Zinc Plated Plum Flute Pan Head Point Tail Tapping Screw ST2.9*10	8	15

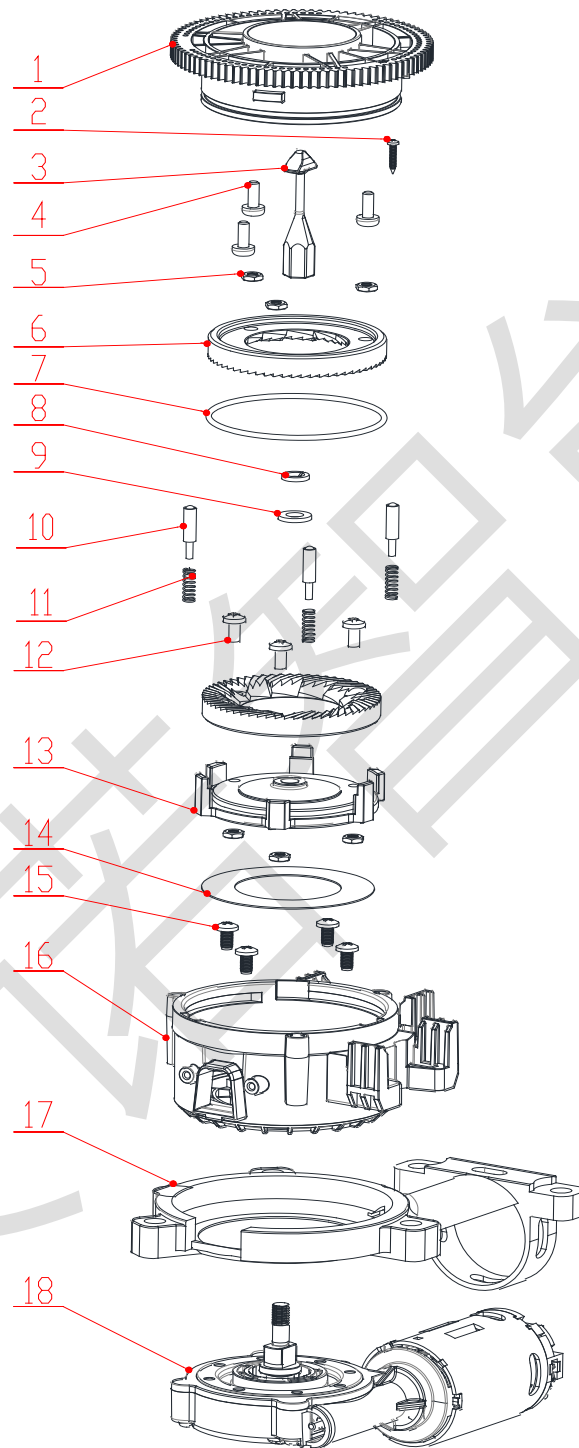
79、3111281100_Verical Thickness Assembly (Parts Catalogues)



79、3111281100_Verical Thickness Assembly (List)

编号 S/N	技诺料号 P/N	名称 Description	数量 Qty	页码 Page number
79-1	5302054600	镀环保锌梅花槽盘头尖尾自攻螺钉 ST2.9*10 Zinc Plated Plum Flute Pan Head Point Tail Tapping Screw ST2.9*10	2	16
79-2	5111309300	JL15&30 粗细调节限位齿 JL15&30 Thickness Adjustable Limit Teeth	1	16
79-3	5111309200	JL15&30 粗细调节齿轮 JL15&30 Thickness Adjustable Gear	1	16
79-4	5115054800	JL15&30 解锁弹簧 JL15&30 Unlock Spring	1	16
79-5	5111309400	JL15&30 粗细调节安装座 JL15&30 Thickness Adjustable Mounting Base	1	16

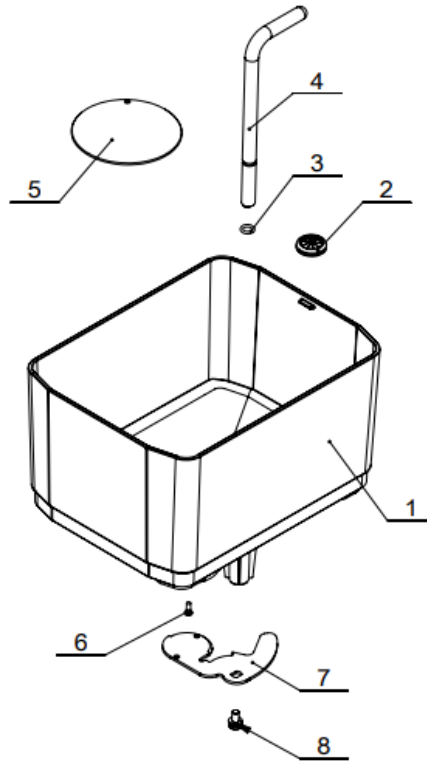
80、2103053800_ SGH64Grinder Parts Catalogues)(JL36)



80、2103053200_SGH64 Grinder (JL36) (List)

序号 S/N	技诺物料号 P/N	名称 Description	材质 Material	数量 Qty	页码 Page number
80-1	5111317600	带齿刀盘支架 Serrated blade disc holder	PA6T/6I	1	18
80-2	5302056300	十字槽盘头自攻螺钉 ST2.2×12 Cross-recessed pan head self-tapping screw ST2.2×12	SUS304	1	18
80-3	5111339700	JL36 搅拌蘑菇头 JL36 mixing mushroom head	ULTRON-H140	1	18
80-4	5301050300	十字槽盘头螺钉 M4×10 Cross-recessed pan head screw M4× 10	SUS304	3	18
80-5	5303053500	六角薄螺母 M4 Hex thin nut M4	SUS304	6	18
80-6	5112052900	研磨器刀盘 (KEBER) Grinder diss (KEBER)	16CrNi4	2	18
80-7	5206053600	刀盘支架密封圈 Blade holder sealing ring	硅橡胶	1	18
80-8	5305051900	弹垫圈 6 GB93 Spring washer 6 GB93	SUS304	1	18
80-9	5305051800	平垫圈 6 GB97.1 Flat washer 6 GB97.1	SUS304	1	18
80-10	5111074200	顶杆 Ejector rod	POM FG 500P(美 国杜邦)	3	18
80-11	5115054700	SGH64 顶杆弹簧 SGH64 Ejector rod spring	SUS304-WPB	3	18
80-12	5301050400	十字槽盘头螺丝 M4X8 Cross-recessed pan head screw M4X8	SUS304	3	18
80-13	5111317700	刮粉板 Coffee grounds scraper	PA6T/6I	1	18
80-14	5112054600	挡粉圈 Coffee grounds barrier ring	SUS304	1	18
80-15	5302054400	十字槽盘头平尾自攻螺钉 ST4.2×8 Cross-recessed pan head flat-end self- tapping screw ST4.2×8	SUS304	4	18
80-16	5111317500	磨豆盒 Coffee bean grinder hopper	PA6T/6I	1	18
80-17	5111316300	JL15&30 研磨器减震支架 Grinder shock-absorbing bracket	硅橡胶	1	18
80-18	3401054800	卧式研磨器减速箱 110V Horizontal grinder gearbox 110V		1	18

92、3111307800_JL36 Bean hopper Parts Catalogues



92、3111307800_JL36 Bean hopper (List)

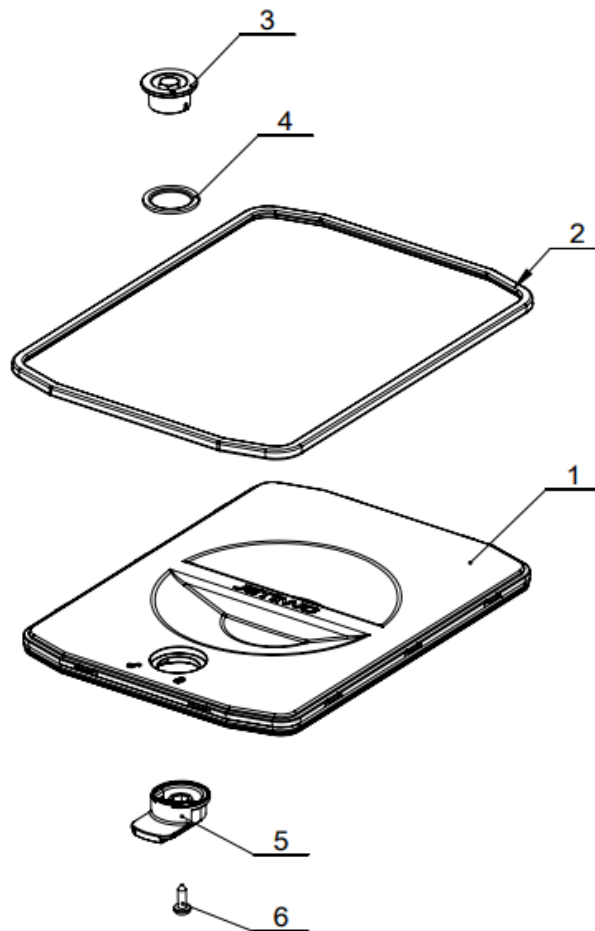
编号 S/N	技诺料号 P/N	名称 Description	数量 Qty	页码 Page number
92-1	5111339800	JL36 豆盒 JL36 Hopper	1	19
92-2	5116305800	JL36 花瓣形孔塞 JL36 Petal-shaped hole plug	1	19
92-3	5206055500	O 型密封圈 7×1.8 O-shaped sealing ring 7×1.8	1	19
92-4	5114072700	豆盒锁片旋转手柄 Bean hopper lock plate rotating handle	1	16
92-5	5111302600	豆盒安规保护帽 Bean hopper safety protection cap	1	19
92-6	5302055600	不锈钢梅花槽盘头平尾自攻螺钉 ST2.9×8 Stainless steel star-drive pan head flat-end self-tapping screw ST2.9×8	1	19
92-7	5133291400	豆盒旋转锁片 Bean hopper rotating lock plate	1	19
92-8	5301359400	不锈钢梅花槽盘头组合螺钉 M5x10	1	19

Copying or forwarding the contents shall be subject to the written permission of JETINNO

JL36A 零件手册 (Parts Catalogues)

		Stainless steel star-drive pan head assembly screw M5x10		
--	--	---	--	--

93、3111299600_JL36 Bean hopper lid assembly Parts Catalogues



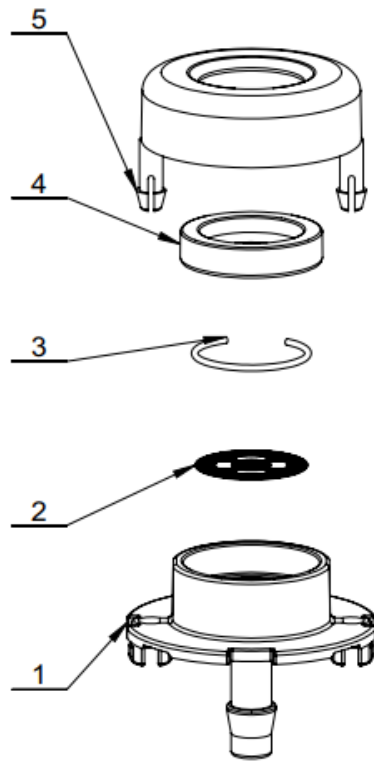
93、3111299600_JL36 Bean hopper lid assembly (List)

编号 S/N	技诺料号 P/N	名称 Description	数量 Qty	页码 Page number
93-1	5111336300	JL36 豆盒盖 JL36 Bean hopper lid	1	20
93-2	5111335400	JL36 豆盒盖边框 JL36 Bean hopper lid frame	1	20
93-3	5133200600	JL15&30 豆盒盖 LOGO 板 JL15&30 Bean hopper logo plate	1	20
93-4	5116304900	JL36 塑料紧锁垫圈 JL36 Plastic locking washer	1	20
93-5	5111334600	JL36 塑胶锁钩 JL36 Plastic locking hook	1	20

JL36A 零件手册 (Parts Catalogues)

93-6	5302054300	镀环保锌梅花槽盘头尖尾自攻螺钉 ST3.9×12 Eco-friendly zinc-plated star-drive pan head pointed-end self-tapping screw ST3.9×12	1	20
------	------------	--	---	----

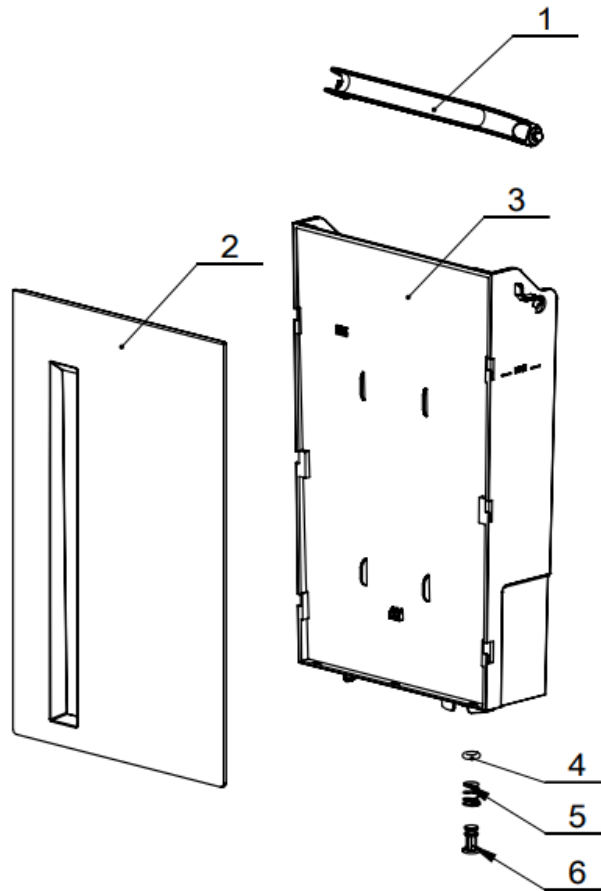
94、3111281400_JL15&30 Water Tank Filter Assembly (Parts Catalogues)



94、3111281400_JL15&30 Water Tank Filter Assembly (List)

编号 S/N	技诺料号 P/N	名称 Description	数量 Qty	页码 Page number
94-1	5111310700	JL15&30 水箱滤网固定座 JL15&30 Water Tank Filter Fixed Base	1	21
94-2	5114069100	JL15&30 水箱滤网 JL15&30 Water Tank Filter	1	12
94-3	5115055000	JL15 水箱滤网限位环 JL15 Water Tank Filter Limit Ring	1	21
94-4	5111316200	JL15&30 水箱滤网密封圈 JL15&30 Water Tank Filter Seal Ring	1	21
94-5	5111310800	JL15&30 水箱滤网盖 JL15&30 Water Tank Filter Cover	1	21

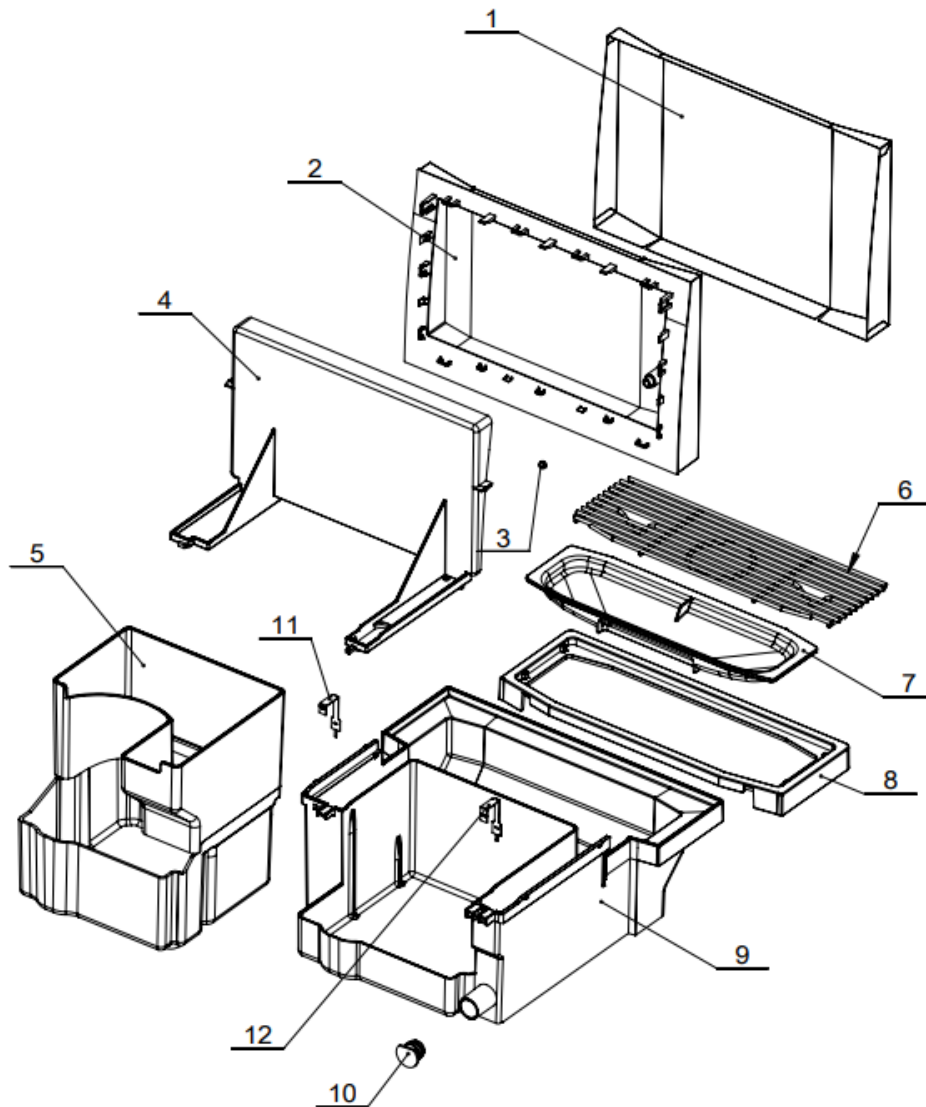
96、3111299000_JL36 Small Water Tank Assembly (Parts Catalogues)



96、3111299000_JL36 Small Water Tank Assembly (List)

编号 S/N	技诺料号 P/N	名称 Description	数量 Qty	页码 Page number
96-1	5111311100	JL15&30 小水箱把手 JL15&30 Small Water Tank Handle	1	22
96-2	5111333000	JL15&30 水箱侧板 JL15&30 Water Tank Side Plate	1	22
96-3	5111310900	JL15&30 小水箱体 JL15&30 Small Water Tank Body	1	22
96-4	5206054600	JL15&30 水箱单向阀密封圈 JL15&30 Water Tank Check Valve Seal Ring	1	22
96-5	5115054900	JL15&30 水箱单向阀弹簧 JL15&30 Water Tank Check Valve Spring	1	22
96-6	5111314300	JL15&30 水箱单向阀 JL15&30 Water Tank Check Valve	1	22

97、3111307900_JL36 Drip tray assembly Parts Catalogues



97、3111307900_JL36 Drip tray assembly (List)

编号 S/N	技诺料号 P/N	名称 Description	数量 Qty	页码 Page number
97-1	5133282600	JL36 框架前下面板 (不锈钢) JL36 Front bottom panel of the frame (stainless steel)	1	23
97-2	5111332300	JL36 框架前下面板 JL36 Front bottom panel of the frame	1	23
97-3	5205052100	钕铁硼磁铁直径 $\varnothing 6$ *厚度 3 NdFeB Magnet $\varnothing 6$ *3	1	23
97-4	5205052100	钕铁硼磁铁直径 $\varnothing 6$ *厚度 3 NdFeB Magnet $\varnothing 6$ *3	1	23

JL36A 零件手册 (Parts Catalogues)

97-5	3111308000	JL36 废渣盒组件 JL36 Waste bin assembly	1	23
97-6	5115056600	JL36 废水盒钢丝网 JL36 drip tray cover	1	23
97-7	5111336200	JL36 废水防撒挡板 JL36 Anti-spill waste water baffle	1	23
97-8	5111332400	JL36 废水盒装饰板 JL36 drip tray trim panel	1	23
97-9	5111332200	JL36 废水盒 JL36 drip tray	1	23
97-10	5116054700	滴水盘胶塞 Drip tray rubber plug	1	23
97-11	5133296000	JL36 废水满感应片 2 JL36 waste water level full sensor plate	1	23
97-12	5133291500	JL36 废水满感应片 JL36 waste water level full sensor plate	1	23