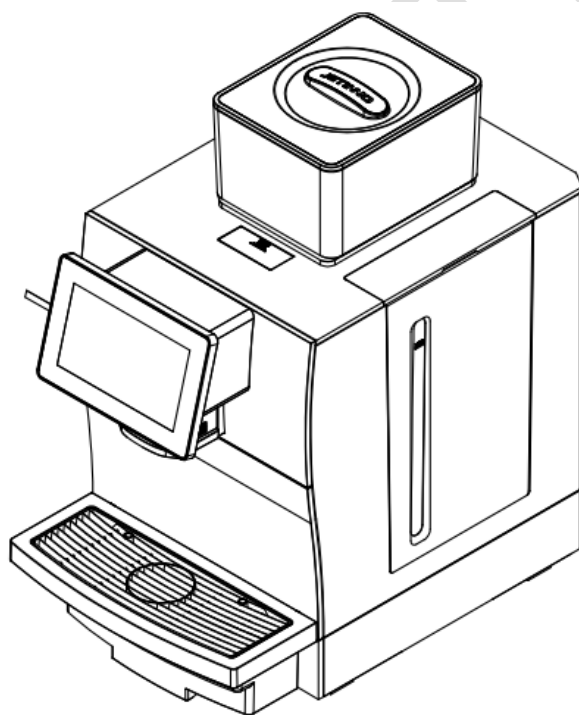
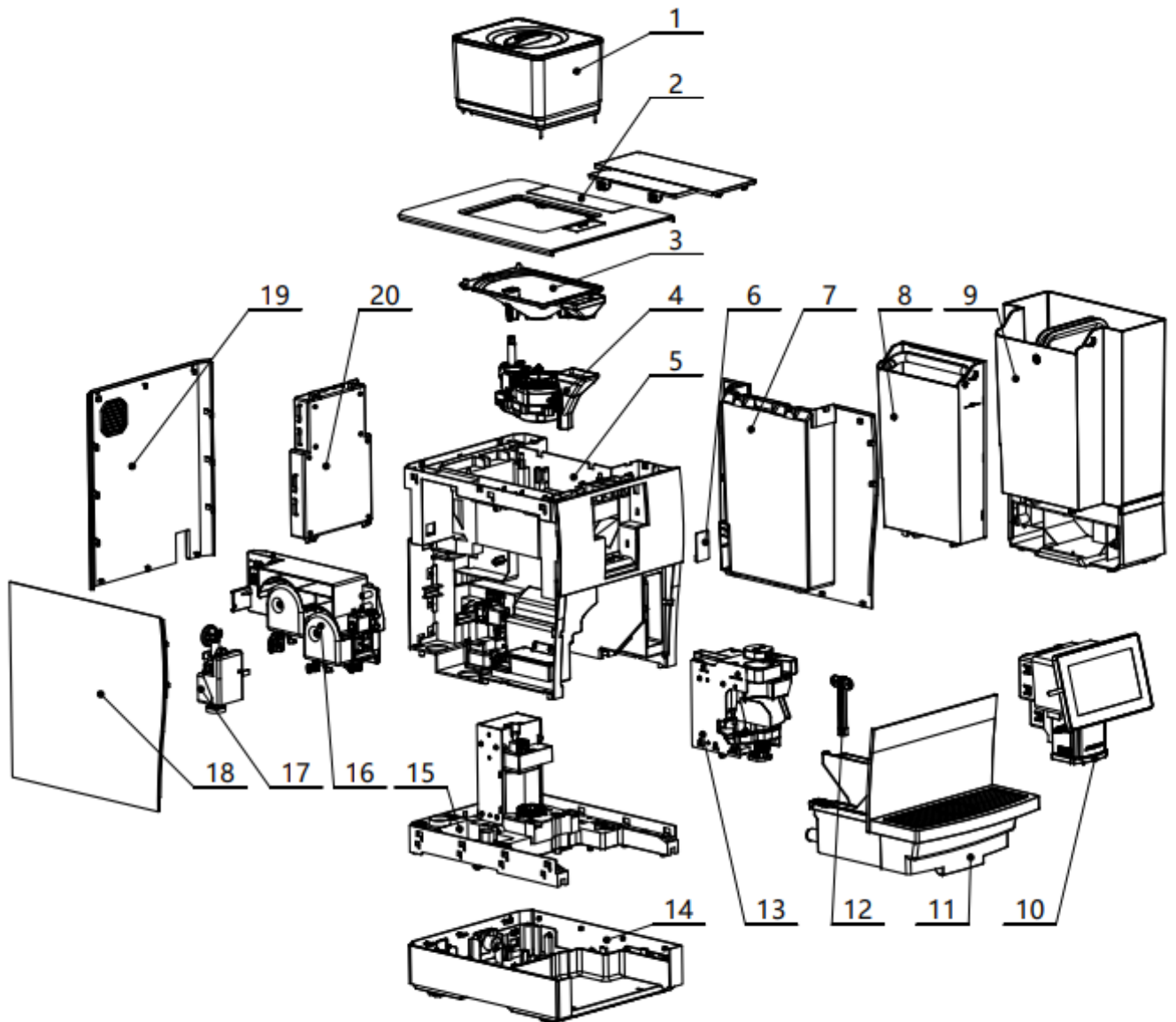


JL30 零件手册
JL30 Parts Catalogues



文档历史记录 (Document History)

名称 Description	版本 Version	日期 Date	修改说明 Amend Record	参与人员 Name
JL30 零件手册 JL30 Parts Catalogues	A	2025.08.29	新建 New	编写 Editor: 龙帝贤 审核 Reviewed by: 李鸿 批准 Approved by: 李鸿

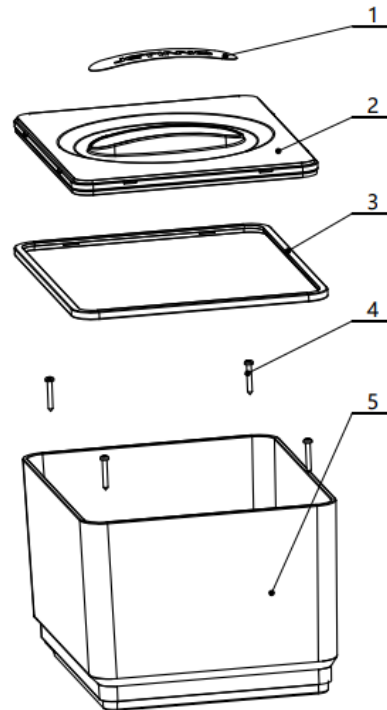


编号 S/N	技诺料号 P/N	名称 Description	数量 Qty	页码 Page number
1	-	JL30 豆盒组件 JL30 Bean Pod Module	1	5
2	-	顶盖粉料盖水箱盖 Upper cover powder material tank lid	1	6
3	-	豆盒底座组件 Bean Box Base Assembly	1	7

JL30 零件手册 (Parts Catalogues)

4	3111288400	JL30 系列研磨器组件 JL30 Series Grinder Assembly Components	1	8
5	-	框架组件 Framework components	1	10
6	3311063400	CAP_SENSOR CAP_SENSOR	1	3
7	5111313300	JL15&30 框架右侧盖 JL15&30 Frame Right Cover Plate	1	3
8	3111281300	JL15&30 小水箱组件 JL15&30 Small Water Tank Assembly	1	13
9	3111285300	JL15&30 大水箱组件 JL15&30 Big Water Tank Assembly	1	14
10	3111281800	JL15&30 显示屏及出水嘴组件 JL15&30 Display and Outlet Nozzle Assembly	1	15
11	3111282300	JL30 废水盒组件 JL30 Wastewater Bin Assembly	1	20
12	5111309500	JL15&30 研磨器调节钥匙 JL15&30 Grinder Adjust Key	1	3
13	3111279000	S20LW-2 酿造器主体模块 S20LW-2 Brewing Vessel Main Module	1	3
14	-	底座组件 unitized substructure	1	21
15	-	中座组件 Center seat assembly	1	24
16	3111288600	JL15&JL30 锅炉水路组件 JL15 & JL30 Boiler Water Circuit Assembly	1	26
17	-	柱塞泵安装组件 Plunger pump installation assembly	1	28
18	5111313400	JL15&30 框架左侧盖 JL15&30 Frame Left Cover Plate	1	3
19	5111313500	JL15&30 框架后侧盖 JL15&30 Frame Rear Cover Plate	1	3
20	3111281200	JL15&30PCBA 固定组件 JL15&30 PCBA Fixed Assembly	1	29
21	6301433600	JL15&JL30 水路图 JL15 & JL30 Hydraulic Circuit Diagram	1	30
22	6301433500	JL15&JL30 电气接线图 JL15 & JL30 Electrical Wiring Diagram	1	32

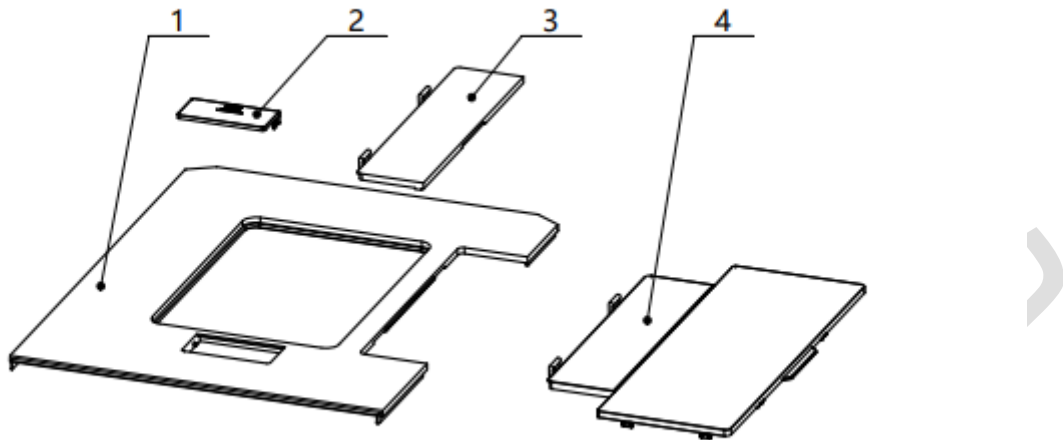
1、JL30 豆盒组件(Parts Catalogues)



1、JL30 豆盒组件(List)

编号 S/N	技诺料号 P/N	名称 Description	数量 Qty	页码 Page number
1-1	5111314900	JL15&30 豆盒盖 JL15&30 coffee Bean Container cover (Black plastic cover (ABS))	1	5
1-2	5111312600	JL15&30 豆盒盖边框 JL15&30 Bean Box Cover Bezel	1	5
1-3	5133200600	JL15&30 豆盒盖 LOGO 板 JL15&30 Bean Box Cover Logo Plate	1	5
1-4	5301358400	镀环保锌梅花槽盘头尖尾自攻螺钉 ST2.9*18 Zinc Plated Plum Flute Pan Head Point Tail Tapping Screw ST2.9*18	4	5
1-5	5111312500	JL30 豆盒 JL30 Bean Hopper	1	5

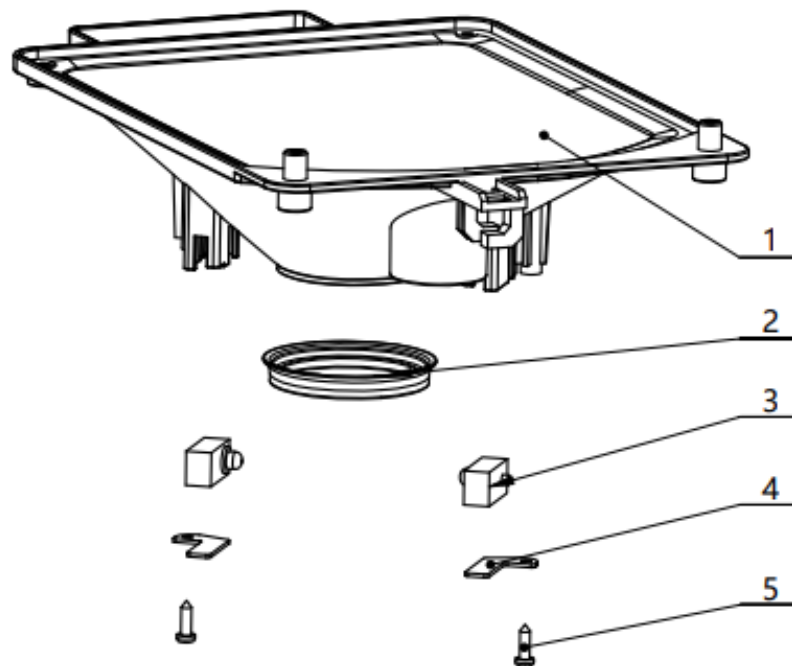
2、顶盖粉料盖水箱盖(Parts Catalogues)



2、顶盖粉料盖水箱盖(List)

编号 S/N	技诺料号 P/N	名称 Description	数量 Qty	页码 Page number
2-1	5111313600	JL15&30 顶盖 JL15&30 Top Cover	1	6
2-2	5111313800	JL15&30 粉料盖 JL15&30 Powder Cover	1	6
2-3	5111313700	JL15&30 小水箱盖 JL15&30 Small Water Tank Cover	1	6
2-4	5111315600	JL15&30 大水箱盖 JL15&30 Big Water Tank Cover	1	6

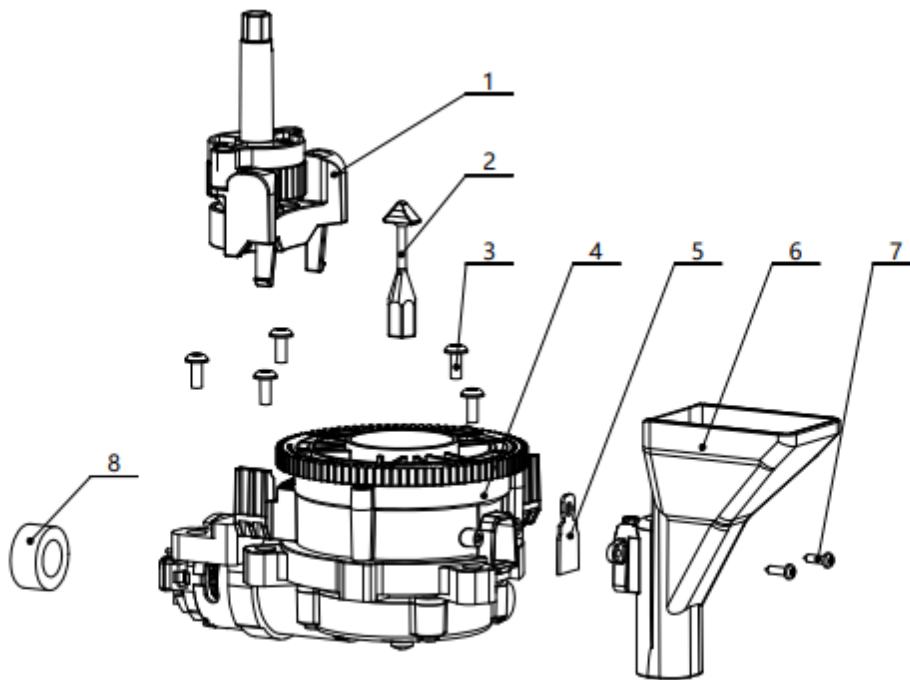
3、豆盒底座组件(Parts Catalogues)



3、豆盒底座组件(List)

编号 S/N	技诺料号 P/N	名称 Description	数量 Qty	页码 Page number
3-1	5111312400	JL15&30 豆盒底座 JL15&30 Bean Hopper Base	1	7
3-2	5116303800	JL15&30 豆盒底座与研磨器密封圈 JL15&30 Bean Hopper Base and Grinder Seal	1	7
3-3	5405101300	豆传感器 (JL15&JL30) Bean detected Sensor (JL15&30)	1	7
3-4	5133200300	JL15&30 缺豆传感器压板 JL15&30 Bean Sensor Pressing Plate	2	7
3-5	5302054600	镀环保锌梅花槽盘头尖尾自攻螺钉 ST2.9*10 Zinc Plated Plum Flute Pan Head Point Tail Tapping Screw ST2.9*10	2	7

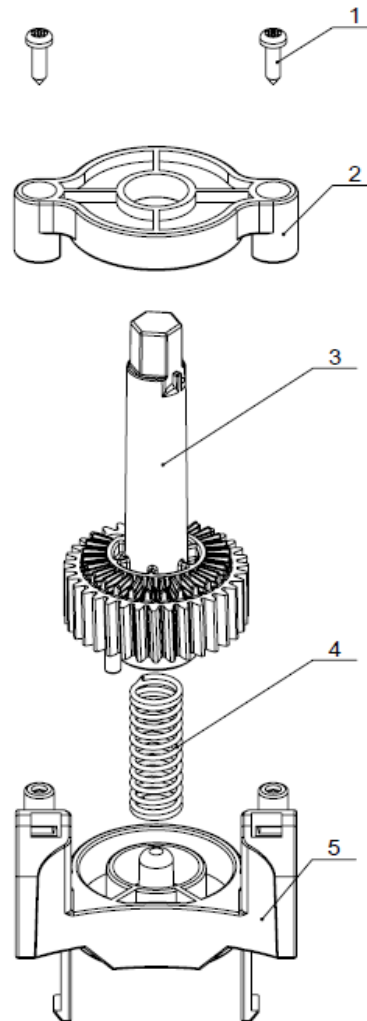
4、3111288400_JL30 系列研磨器组件(Parts Catalogues)



4、3111288400_JL30 系列研磨器组件(List)

编号 S/N	技诺料号 P/N	名称 Description	数量 Qty	页码 Page number
4-1	3111281100	立式粗细调节组件 Vertical Thickness Assembly	1	9
4-2	5111318700	搅拌蘑菇头 Stirring Mushroom Heads	1	8
4-3	5302054100	镀环保锌梅花槽盘头法兰平尾自攻螺钉 ST3.9*10 Zinc Plated Plum Flute Pan Head Flange Flat Tail Tapping Screw ST3.9*10	5	8
4-4	2103053000	SGH64 研磨器 SGH64 Grinder	1	8
4-5	5126051900	JL15&30 出粉嘴挡片 JL15&30 powder nozzle stopper	1	8
4-6	5111309100	JL15&30 出粉嘴 JL15&30 coffee powder outlet	1	8
4-7	5302054600	镀环保锌梅花槽盘头尖尾自攻螺钉 ST2.9*10 Zinc Plated Plum Flute Pan Head Point Tail Tapping Screw ST2.9*10	2	8
4-8	5402164300	研磨器连接线 (JL15&JL30), 带磁环 Grinder connecting cable (JL15 & JL30) with ferrite core	1	8

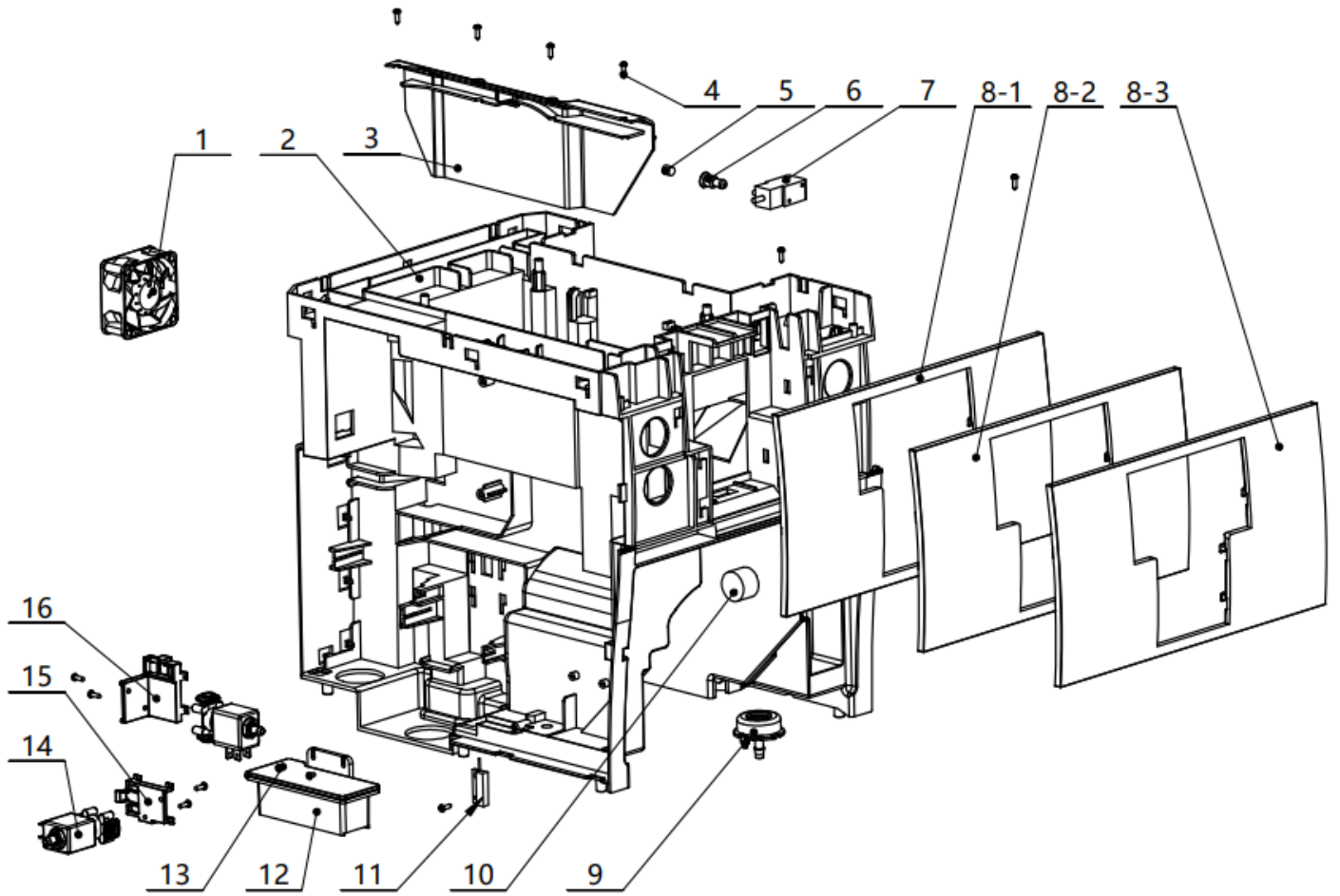
4-1、3111281100_立式粗细调节组件(Parts Catalogues)



4-1、3111281100_立式粗细调节组件(List)

编号 S/N	技诺料号 P/N	名称 Description	数量 Qty	页码 Page number
4-1-1	5302054600	镀环保锌梅花槽盘头尖尾自攻螺钉 ST2.9*10 Zinc Plated Plum Flute Pan Head Point Tail Tapping Screw ST2.9*10	2	9
4-1-2	5111309300	JL15&30 粗细调界限位齿 JL15&30 Thickness Adjustable Limit Teeth	1	9
4-1-3	5111309200	JL15&30 粗细调节齿轮 JL15&30 Thickness Adjustable Gear	1	9
4-1-4	5115054800	JL15&30 解锁弹簧 JL15&30 Unlock Spring	1	9
4-1-5	5111309400	JL15&30 粗细调节安装座 JL15&30 Thickness Adjustable Mounting Base	1	9

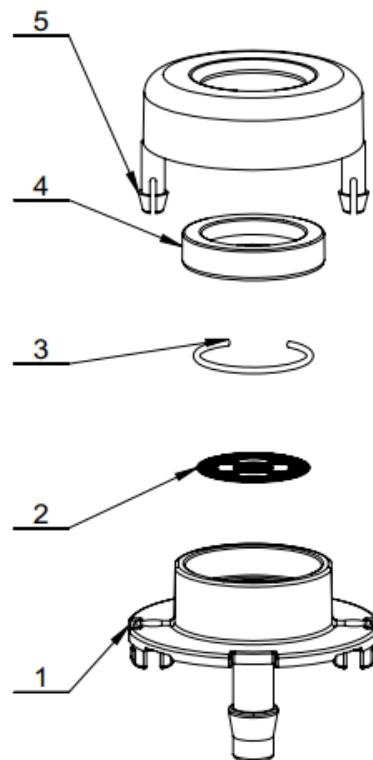
5、框架组件(Parts Catalogues)



5、框架组件(List)

编号 S/N	技诺料号 P/N	名称 Description	数量 Qty	页码 Page number
5-1	3402052500	24V 风扇 6025 24V Fan 6025	1	10
5-2	5111308300	JL15&30 框架 JL15&30 Frame	1	10
5-3	5111308700	JL15&30 抽风通道 JL15&30 Exhaust Channel	1	10
5-4	5302054600	镀环保锌梅花槽盘头尖尾自攻螺钉 ST2.9*10 Zinc Plated Plum Flute Pan Head Point Tail Tapping Screw ST2.9*10	11	10
5-5	5208053200	7X7 海绵 7X7 Sponge	1	10
5-6	5111303400	进气嘴 Air Inlet Nozzle	1	10
5-7	3405057600	空气阀 24V Air Valve 24V	1	10
5-8-1	5111313200	JL15&30 框架前上面板 JL15&30 Frame Front Upper Panel	1	10
5-8-2	5111322900	JL15&30 框架前上面板(高光黑) JL15&30 Frame Front Upper Panel (High-Gloss Black)	1	10
5-8-3	5111323100	JL15&30 框架前上面板(高光白) JL15&30 Frame Front Upper Panel (High-Gloss White)	1	10
5-9	3111281400	JL15&30 水箱过滤组件 JL15&30 Water Tank Filter Assembly	1	12
5-10	6306064400	抽湿进风口聚醚海绵 Dehumidifying Air Inlet Polyther Sponge	1	10
5-11	5405101200	常开干簧管 Normally Open Reed Switch	1	10
5-12	3114000400	JL15&30 蒸汽冷凝盒超声波焊接组件 JL15&30 Ultrasonic Welding Assembly for Steam Condensate Box	1	10
5-13	5302053800	镀环保锌梅花槽盘头尖尾自攻螺钉 ST2.9*8 Zinc Plated Plum Flute Pan Head Point Tail Tapping Screw ST2.9*8	2	10
5-14	3405057300	卡扣式宝塔两位三通阀 Snap-type Pagoda 2P3W Valve	2	10
5-15	5111317100	JL15&30 ES 阀固定座 JL15&30 ES Valve Fixed Base	1	10
5-16	5111317000	JL15&30 RELEASE 阀固定座 JL15&30 Release Valve Fixed Base	1	10

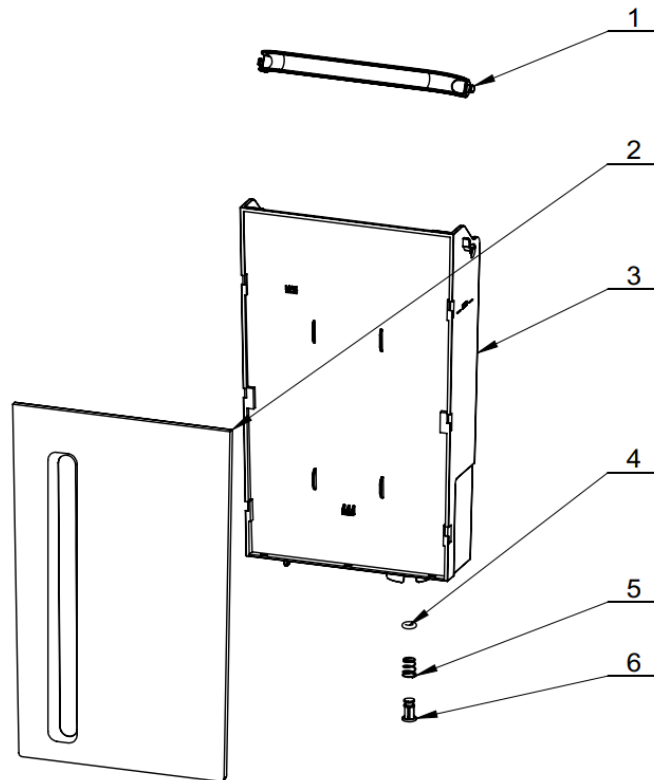
5-9、3111281400_JL15&30 水箱过滤组件(Parts Catalogues)



5-9、3111281400_JL15&30 水箱过滤组件(List)

编号 S/N	技诺料号 P/N	名称 Description	数量 Qty	页码 Page number
5-9-1	5111310700	JL15&30 水箱滤网固定座 JL15&30 Water Tank Filter Fixed Base	1	12
5-9-2	5114069100	JL15&30 水箱滤网 JL15&30 Water Tank Filter	1	12
5-9-3	5115055000	JL15 水箱滤网限位环 JL15 Water Tank Filter Limit Ring	1	12
5-9-4	5111316200	JL15&30 水箱滤网密封圈 JL15&30 Water Tank Filter Seal Ring	1	12
5-9-5	5111310800	JL15&30 水箱滤网盖 JL15&30 Water Tank Filter Cover	1	12

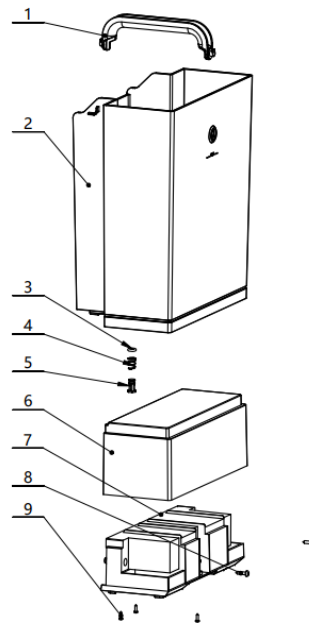
8、3111281300_JL15&30 小水箱组件(Parts Catalogues)



8、3111281300_JL15&30 小水箱组件(List)

编号 S/N	技诺料号 P/N	名称 Description	数量 Qty	页码 Page number
8-1	5111311100	JL15&30 小水箱把手 JL15&30 Small Water Tank Handle	1	13
8-2	5111311000	JL15&30 水箱侧板 JL15&30 Water Tank Side Plate	1	13
8-3	5111310900	JL15&30 小水箱体 JL15&30 Small Water Tank Body	1	13
8-4	5206054600	JL15&30 水箱单向阀密封圈 JL15&30 Water Tank Check Valve Seal Ring	1	13
8-5	5115054900	JL15&30 水箱单向阀弹簧 JL15&30 Water Tank Check Valve Spring	1	13
8-6	5111314300	JL15&30 水箱单向阀 JL15&30 Water Tank Check Valve	1	13

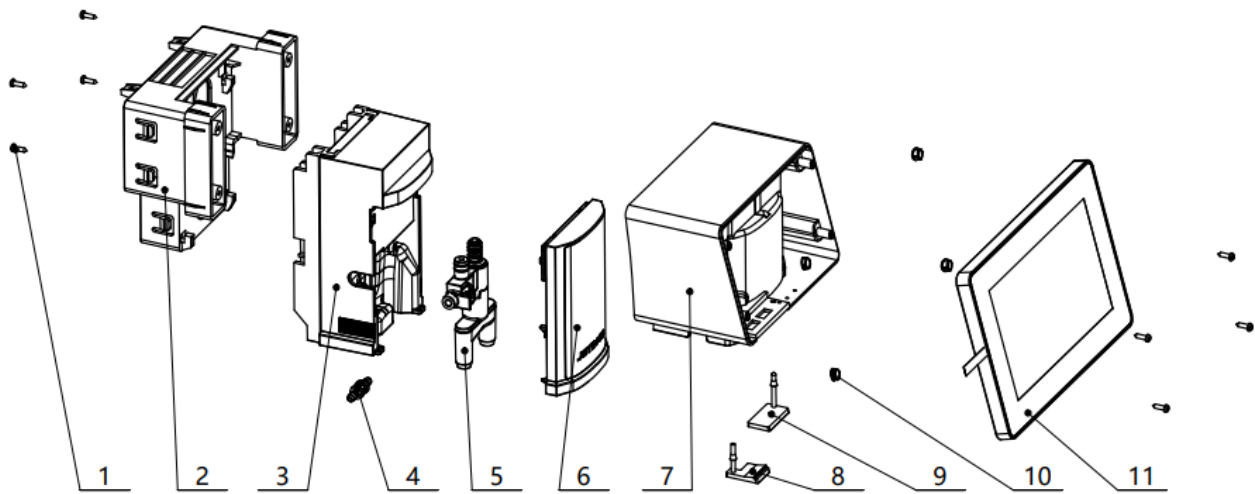
9、3111285300_JL15&30 大水箱组件(Parts Catalogues)



9、3111285300_JL15&30 大水箱组件(List)

编号 S/N	技诺料号 P/N	名称 Description	数量 Qty	页码 Page number
9-1	5111311200	JL15&30 大水箱把手 JL15&30 Big Water Tank Handle	1	14
9-2	5111315700	JL15&30 大水箱体 JL15&30 Big Water Tank Body	1	14
9-3	5206054600	JL15&30 水箱单向阀密封圈 JL15&30 Water Tank Check Valve Seal Ring	1	14
9-4	5115054900	JL15&30 水箱单向阀弹簧 JL15&30 Water Tank Check Valve Spring	1	14
9-5	5111314300	JL15&30 水箱单向阀 JL15&30 Water Tank Check Valve	1	14
9-6	5111316000	JL15&30 大水箱底座支架 JL15&30 Big Water Tank Base Holder	1	14
9-7	5111315800	JL30 大水箱底座 JL15&30 Big Water Tank Base	1	14
9-8	5302054900	镀环保锌梅花槽盘头尖尾自攻螺钉 ST3.9*16 Zinc Plated Plum Flute Pan Head Point Tail Tapping Screw ST3.9*16	2	14
9-9	5302054600	镀环保锌梅花槽盘头尖尾自攻螺钉 ST2.9*10 Zinc Plated Plum Flute Pan Head Point Tail Tapping Screw ST2.9*10	3	14

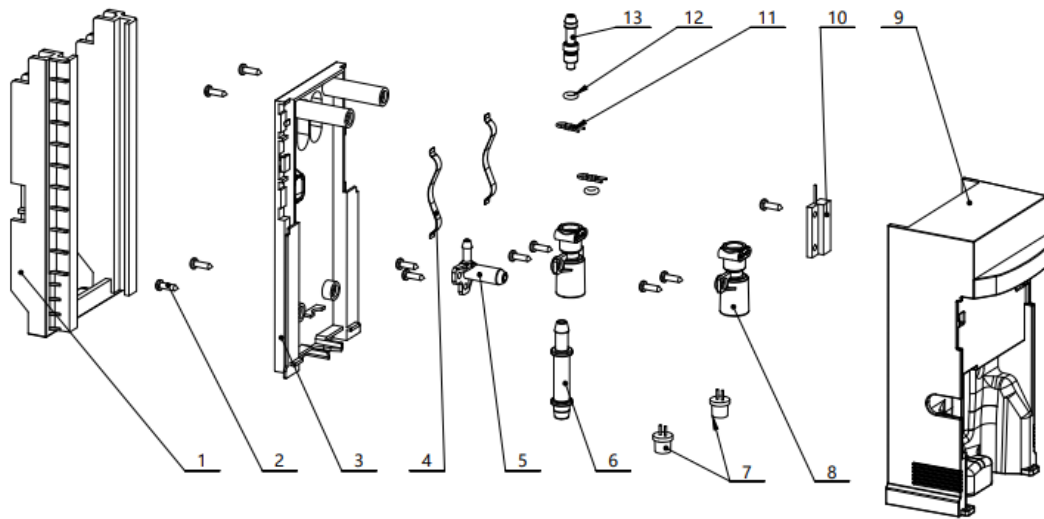
10、3111281800_JL15&30 显示屏及出水嘴组件(Parts Catalogues)



10、3111281800_JL15&30 显示屏及出水嘴组件(List)

编号 S/N	技诺料号 P/N	名称 Description	数量 Qty	页码 Page number
10-1	5302054600	镀环保锌梅花槽盘头尖尾自攻螺钉 ST2.9*10 Zinc Plated Plum Flute Pan Head Point Tail Tapping Screw ST2.9*10	8	15
10-2	5111309600	JL15&30 头部支架 JL15&30 Head Holder	1	15
10-3	3111282000	JL15&30 滑动出嘴主体组件 JL15&30 Sliding Nozzle Main Assembly	1	16
10-4	5111314500	JL15&30 奶管接头 JL15&30 Milk Tube Connector	1	15
10-5	3111282700	JL15&30 鲜奶加热组件 JL15&30 Fresh Milk Heating Module	1	17
10-6	3111282100	JL15&30 出嘴盖板组件 JL15 & 30 Nozzle Cover Plate Assembly	1	18
10-7	5111309700	JL15&30 显示屏组件固定座 JL15&30 Display Assembly Fixed Base	1	15
10-8	5116302700	JL15&30 USB 口密封胶垫 1 JL15&30 USB Port Glue Cushion 1	1	15
10-9	5116302800	JL15&30 USB 口密封胶垫 2 JL15&30 USB Port Glue Cushion 2	1	15
10-10	5305051300	JL15&30 触摸屏安装座螺丝盖 JL15&30 Screw Cover for Touch Screen Mounting Base	4	15
10-11	3111282200	JL15&30 7 英寸显示屏组件 JL15&30 7-inch Display Assembly	1	19

10-3、3111282000_JL15&30 滑动出嘴主体组件(Parts Catalogues)



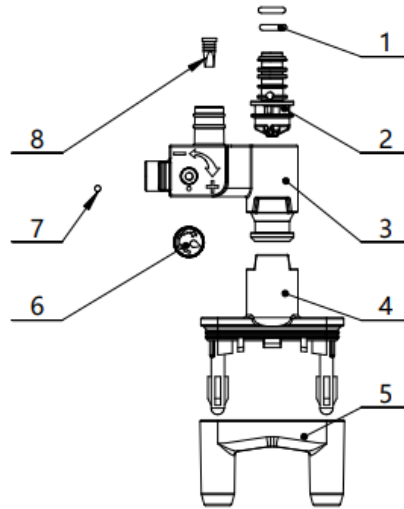
10-3、3111282000_JL15&30 滑动出嘴主体组件(List)

编号 S/N	技诺料号 P/N	名称 Description	数量 Qty	页码 Page number
10-3-1	5111310000	JL15&30 出嘴滑槽 JL15&30 Spout Slide Rail	1	16
10-3-2	5302054600	镀环保锌梅花槽盘头尖尾自攻螺钉 ST2.9*10 Zinc Plated Plum Flute Pan Head Point Tail Tapping Screw ST2.9*10	11	16
10-3-3	5111309900	JL15&30 滑动出嘴后盖板 JL15&30 Sliding Spout Rear Cover Plate	1	16
10-3-4	5133200700	JL15&30 滑动出嘴弹片 JL15&30 Sliding Spout Shrapnel	2	16
10-3-5	5111314200	JL15&30 咖啡出嘴接头 JL15&30 Coffee Spout Connector	1	16
10-3-6	5111314400	JL15&30 热水嘴 JL15&30 Hot Water Spout	1	16
10-3-7	5402166100	LED 灯连接线 (JL15&JL30) LED Light Connection Cable (JL15&JL30)	1	16
10-3-8	5111313900	JL15&30 蒸汽空气卡扣式接头 JL15&30 Steam-Air Snap-type Connector (Beige plastic part (PPS))	2	16
10-3-9	5111310100	JL15&30 滑动出嘴 JL15&30 Sliding Spout	1	16
10-3-10	5405101200	常开干簧管 Normally Open Reed Switch	1	16
10-3-11	5115053300	4x2 卡扣式接头卡环	2	16

JL30 零件手册 (Parts Catalogues)

		4x2 Snap Fitting Ferrule		
10-3-12	5206053100	4x2 卡扣式接头密封圈 4x2 Snap Fitting Seal	2	16
10-3-13	5111314100	D4 卡扣转硅胶管接头 D4 Snap to Silicone Tube Fitting (Beige plastic part (PPS))	1	16

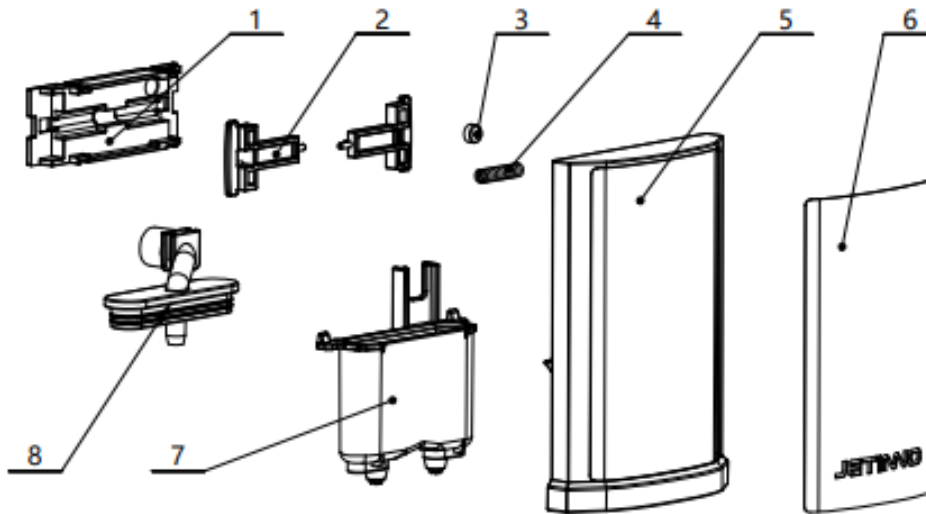
10-5、3111282700_JL15&30 鲜奶加热组件(Parts Catalogues)



10-5、3111282700_JL15&30 鲜奶加热组件(List)

编号 S/N	技诺料号 P/N	名称 Description	数量 Qty	页码 Page number
10-5-1	5206053000	6*4 卡扣式接头密封圈 6*4 Snap-type Seal Ring(Red silicone ring)	2	17
10-5-2	5111100000	蒸汽喷嘴 Steam Spout(Black plastic part (PA66+30))	1	17
10-5-3	5111316500	JL15&30 鲜奶加热腔 JL15&30 Fresh Milk Heating Chamber	1	17
10-5-4	5111316600	JL15&30 鲜奶出嘴流道封盖 JL15&30 Fresh Milk Spout Cover Plate	1	17
10-5-5	5111310600	JL15&30 鲜奶出嘴流道 JL15&30 Fresh Milk Spout(Black plastic part (PA66))	1	17
10-5-6	5111329800	温度调节螺丝 (限位款) Temperature Adjustment Screw	1	17
10-5-7	5307050200	圆柱销 2X14 Cylindrical Pin 2X14	1	17
10-5-8	3405054300	鸭嘴单向节气阀 Duckbill check valve	1	17

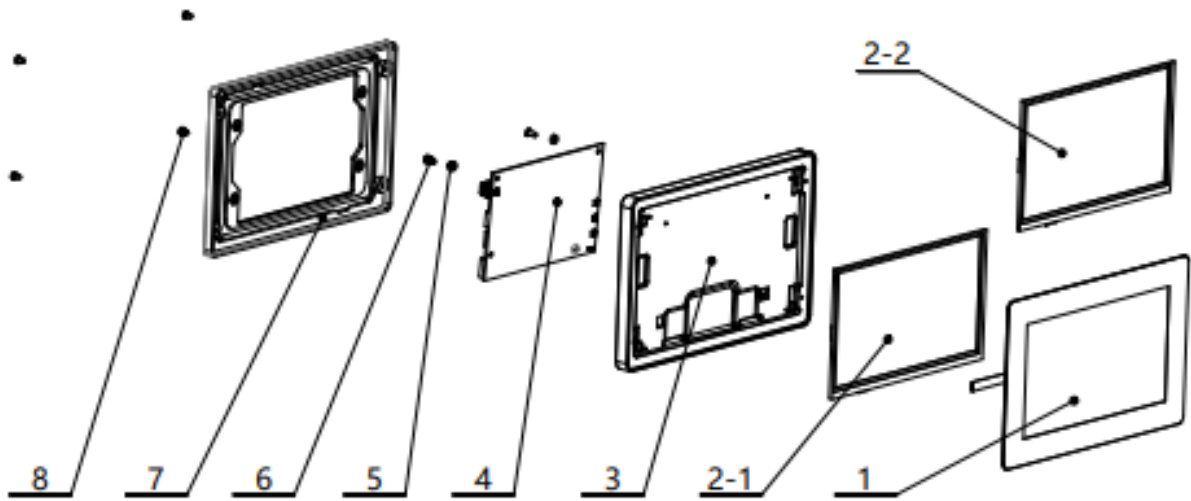
10-6、3111282100_JL15&30 出嘴盖板组件(Parts Catalogues)



10-6、3111282100_JL15&30 出嘴盖板组件(List)

编号 S/N	技诺料号 P/N	名称 Description	数量 Qty	页码 Page number
10-6-1	5111310200	JL15&30 出嘴盖板卡扣安装座 JL15&30 Spout LOGO Cover Plate Snap Mounting Base	1	18
10-6-2	5111312300	JL15&30 出嘴盖板卡扣 JL15&30 Spout LOGO Cover Plate Snap	2	18
10-6-3	5205052100	钕铁硼磁铁直径 $\varnothing 6$ *厚度 3 NdFeB Magnet $\varnothing 6*3$	1	18
10-6-4	5115055100	JL15&30 出嘴盖板卡扣弹簧 JL15&30 Spout LOGO Cover Plate Snap Spring	1	18
10-6-5	5111310400	JL15&30 出嘴盖板 JL15&30 Spout LOGO Cover Plate	1	18
10-6-6	5133200800	JL15&30 出嘴 LOGO 板 JL15&30 Spout LOGO Plate	1	18
10-6-7	5111310500	JL15&30 出嘴咖啡通道 Coffee outlet channel	1	18
10-6-8	5111316400	JL15&30 出嘴咖啡通道密封橡胶 JL15&30 Coffee Spout Seal Rubber (Black silicone part)	1	18

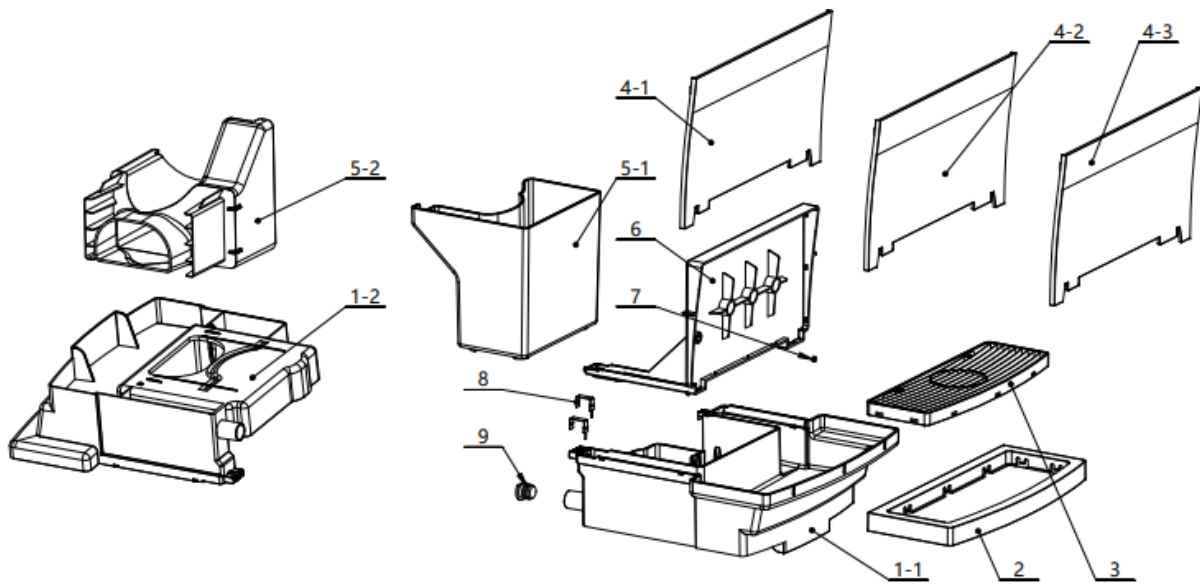
10-11、3111282200_JL15&30 7 英寸显示屏组件(Parts Catalogues)



10-11、3111282200_JL15&30 7 英寸显示屏组件(List)

编号 S/N	技诺料号 P/N	名称 Description	数量 Qty	页码 Page number
10-9-1-1	3406056000	7 英寸触摸屏 7-inch Touch Screen	1	18
10-9-1-2	3409100800	7 寸 MIPI 显示屏 7-inch MIPI display panel	1	18
10-9-1-2	3406056500	7 英寸显示屏 (BLQ) 7-inch display panel (BLQ)	1	18
10-9-1-3	5111317200	7 英寸触摸屏安装座 7-inch Screen Mounting Base	1	18
10-9-1-4	3311063200	JNMB-A133 JNMB-A133	1	18
10-9-1-5	5305055100	硅胶垫片 M3X6X2 M3X6X2 silicone gasket	2	18
10-9-1-6	5302053800	镀环保锌梅花槽盘头尖尾自攻螺钉 ST2.9*8 Zinc Plated Plum Flute Pan Head Point Tail Tapping Screw ST2.9*8	2	18
10-9-1-7	5111309800	JL15&30 7 英寸显示屏底座 JL15&30 7-inch Display Base	1	18
10-9-1-8	5302053900	镀环保锌梅花槽盘头尖尾自攻螺钉 ST2.9*6 Zinc Plated Plum Flute Pan Head Point Tail Tapping Screw ST2.9*6	4	18

11、3111282300_JL30 废水盒组件(Parts Catalogues)

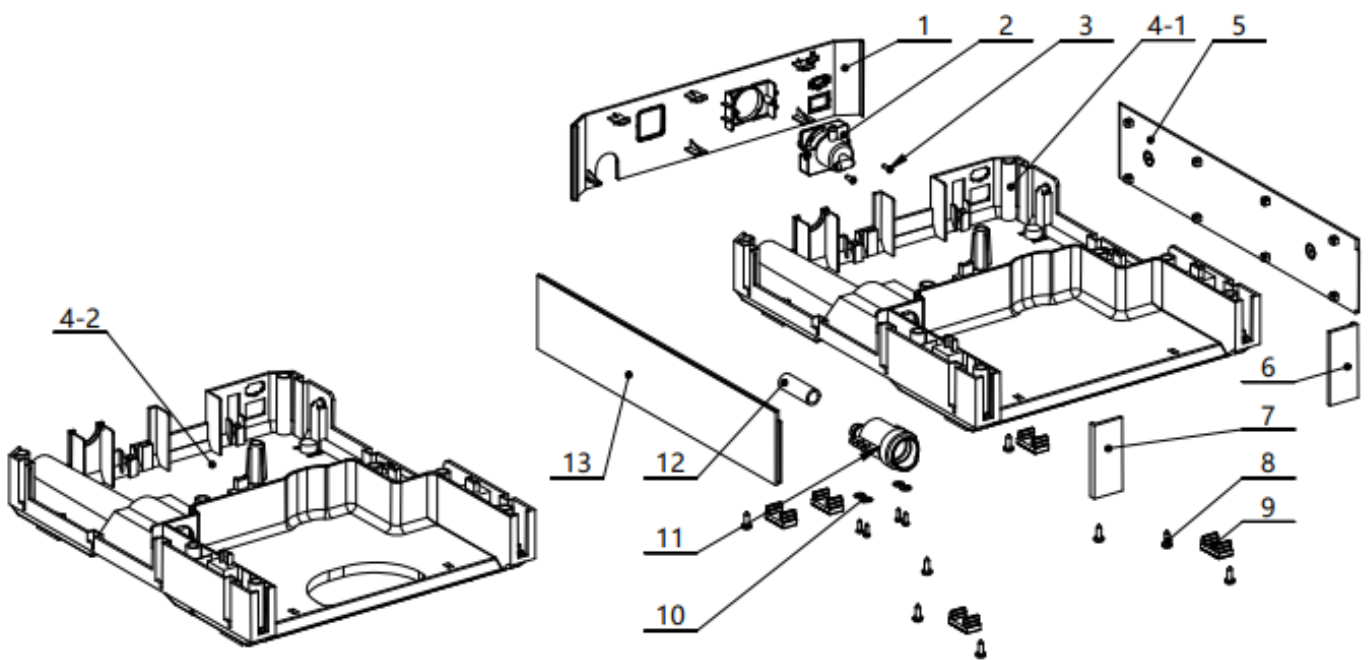


11、3111282300_JL30 废水盒组件(List)

编号 S/N	技诺料号 P/N	名称 Description	数量 Qty	页码 Page number
11-1-1	5111312000	JL30 废水盒 JL30 Wastewater Box	1	20
11-1-2	5111327500	JL30 废水盒(带废渣外排孔) JL30 Wastewater Box (with Sludge Discharge Port)	1	20
11-2	5111312200	JL15&30 废水盒装饰板 JL15&30 Wastewater Box Decorative Plate	1	20
11-3	5111312300	JL15&30 废水盒塑料网 JL15&30 Wastewater Box Plastic Net	1	20
11-4-1	5111311800	JL15&30 框架前下面板 JL15&30 Frame Front Lower Panel	1	20
11-4-2	5111323000	JL15&30 框架前下面板(高光黑) JL15&30 Frame Front Lower Panel (High-Gloss Black)	1	20
11-4-3	5111323200	JL15&30 框架前下面板(高光白) JL15&30 Frame Front Lower Panel (High-Gloss White)	1	20
11-5-1	5111312100	JL30 废渣盒 JL30 Waste Box	1	20
11-5-2	5111326700	废渣外排漏斗 Slag discharge hopper	1	20
11-6	5133200900	JL15&30 废水满感应片 JL15&30 Wastewater full detected Sensor	2	20
11-7	5111311900	JL15&30 废水盒盖 JL15&30 Wastewater Box Cover	1	20

11-8	5205052100	钕铁硼磁铁直径 $\varnothing 6$ *厚度 3 NdFeB Magnet $\varnothing 6$ *3	1	20
------	------------	--	---	----

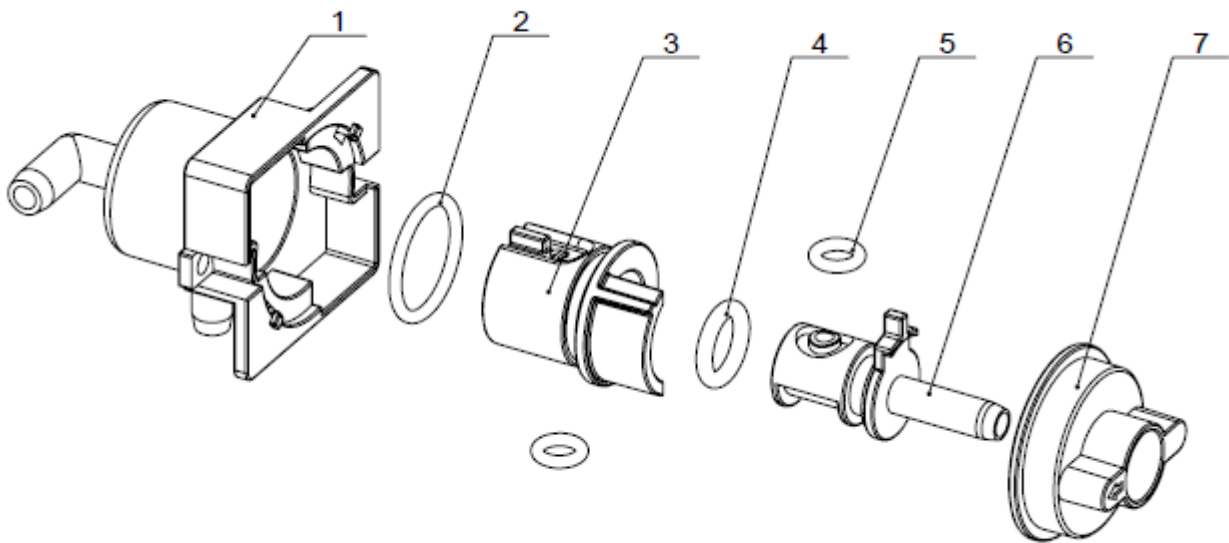
14、底座组件(Parts Catalogues)



14、底座组件(List)

编号 S/N	技诺料号 P/N	名称 Description	数量 Qty	页码 Page number
14-1	5111312900	JL30 底座后盖板 JL30 Base Rear Cover Plate	1	21
14-2	3111281500	JL15&30 手动切换阀组件 JL15&30 Manual Switching Valve Assembly	1	23
14-3	5302054600	镀环保锌梅花槽盘头尖尾自攻螺钉 ST2.9*10 Zinc Plated Plum Flute Pan Head Point Tail Tapping Screw ST2.9*10	6	21
14-4-1	5111308500	JL30 底座 JL30 Base	1	21
14-4-2	5111327400	JL30 底座(带废渣外排孔) JL30 Base Plate (with Slag Discharge Hole)	1	21
14-5	5111312700	JL30 底座右盖板 JL30 Base Right Cover Plate	1	21
14-6	5111313000	JL30 底座前右盖板 JL15 Base Front Right Cover Plate	1	21
14-7	5111313100	JL30 底座前左盖板 JL30 Base Front Left Cover Plate	1	21
14-8	5302054300	镀环保锌梅花槽盘头尖尾自攻螺钉 ST3.9*12 Zinc Plated Plum Flute Pan Head Point Tail Tapping Screw ST3.9*12	8	21
14-9	5111316800	JL15&30 地脚 JL15&30 Footing	5	21
14-10	5305050400	平垫圈 4 Flat Washer 4	4	21
14-11	5116302000	储藏式水管前支架 External Drainpipe Connector	1	21
14-12	5207052000	10x14 硅胶管黑色 External Drainpipe	1	21
14-13	5111312800	JL30 底座左盖板 JL30 Base Left Cover Plate	1	21

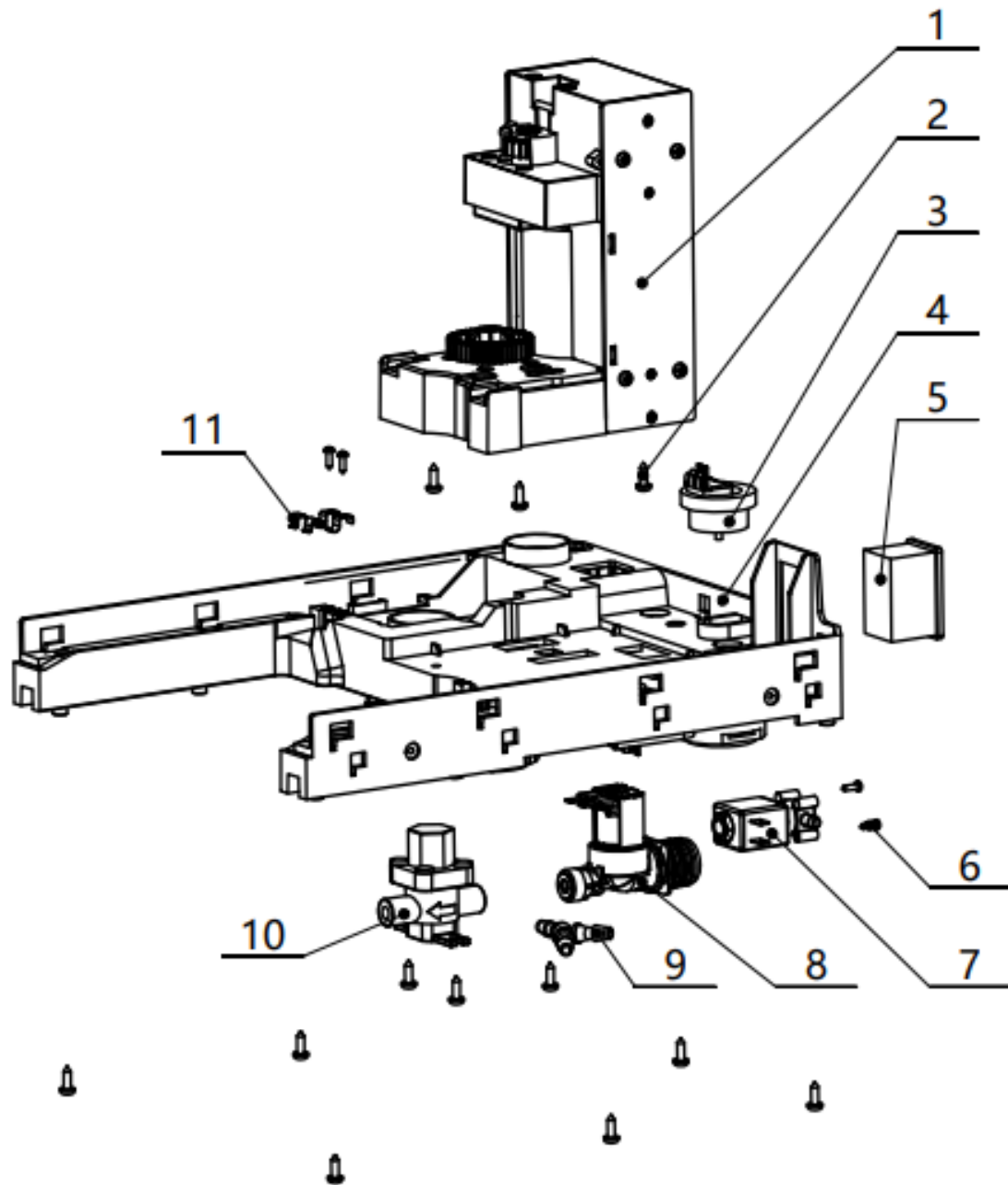
14-2、3111281500_JL15&30 手动切换阀组件(Parts Catalogues)



14-2、3111281500_JL15&30 手动切换阀组件(List)

编号 S/N	技诺料号 P/N	名称 Description	数量 Qty	页码 Page number
14-2-1	5111311300	JL15&30 手动切换阀固定座 JL15&30 Manual Switching Valve Fixed Base	1	23
14-2-2	5206055000	JL15&30 手动切换阀旋钮密封圈 JL15&30 Manual Switching Valve Seal Ring	1	23
14-2-3	5111311500	JL15&30 手动切换阀旋钮 JL15&30 Manual Switching Valve Knob	1	23
14-2-4	5206054900	JL15&30 手动切换阀接头密封圈 JL15&30 Manual Switching Valve Connector Seal Ring	1	23
14-2-5	5206054800	JL15&30 手动切换阀出水端密封圈 s JL15&30 Manual Switching Valve Outlet Seal Ring	2	23
14-2-6	5111311600	JL15&30 手动切换阀接头 JL15&30 Manual Switching Valve Connector	1	23
14-2-7	5111311400	JL15&30 手动切换阀旋钮盖 JL15&30 Manual Switching Valve Knob Cover	1	23

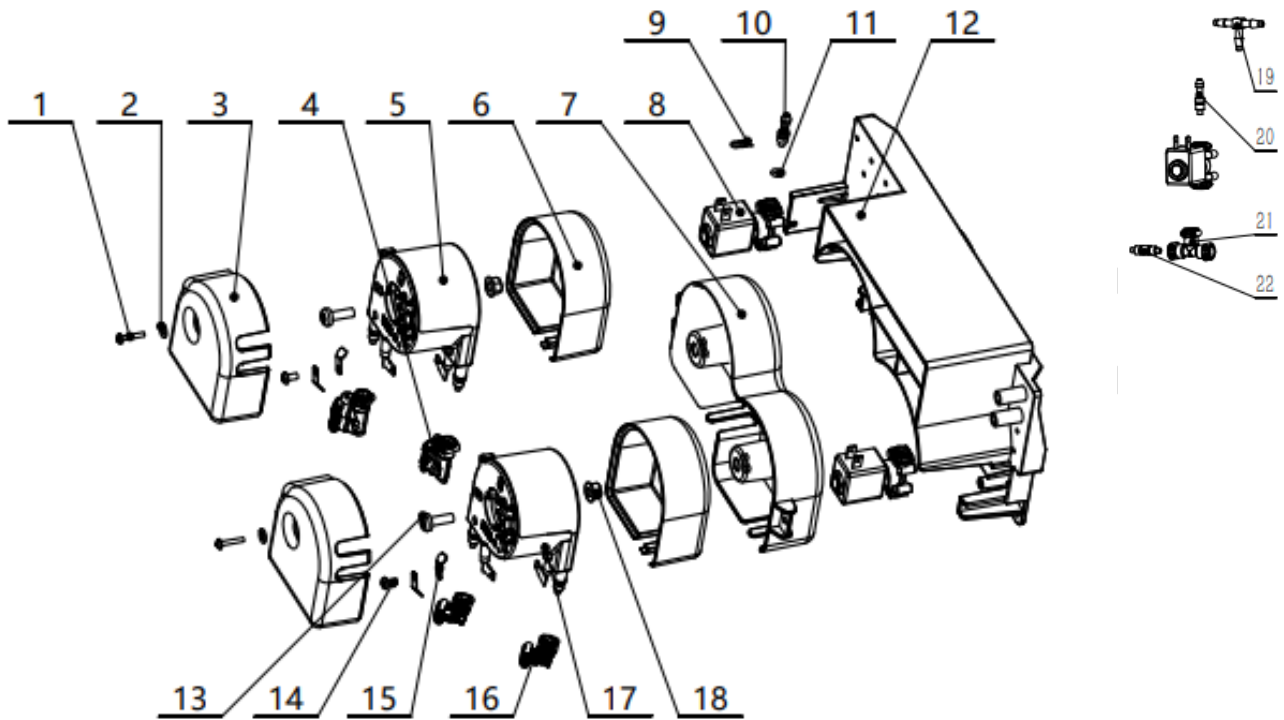
15、中座组件(Parts Catalogues)



15、中座组件(List)

编号 S/N	技诺料号 P/N	名称 Description	数量 Qty	页码 Page number
15-1	3111118300	S 系列酿造器驱动模块 S-series Brewing Apparatus Drive Module	1	24
15-2	5302054300	镀环保锌梅花槽盘头尖尾自攻螺钉 ST3.9*12 Zinc Plated Plum Flute Pan Head Point Tail Tapping Screw ST3.9*12	20	24
15-3	5405101100	流量计 GMEHK3600002001 Flowmeter GMEHK3600002001	1	24
15-4	5111308400	JL15&30 中座 JL15&30 Centre Seat	1	24
15-5	5406053700	三合一电源插座 3-in-1 Power Socket	1	24
15-6	5302054600	镀环保锌梅花槽盘头尖尾自攻螺钉 ST2.9*10 Zinc Plated Plum Flute Pan Head Point Tail Tapping Screw ST2.9*10	2	24
15-7	3405057700	接硅胶两位二通阀 Connecting Silicone 2P2W Valve	1	24
15-8	3405057100	快插式进水电磁阀 (M-126F029) Quick-plug Inlet Solenoid Valve (M-126F029)	1	24
15-9	3201050900	Y 型接头 Plastic Tee	1	24
15-10	3405053900	鼎臣减压阀 Release Valve	1	24
15-11	5133145600	接水盘弹片 Drip Tray Shrapnel	2	24

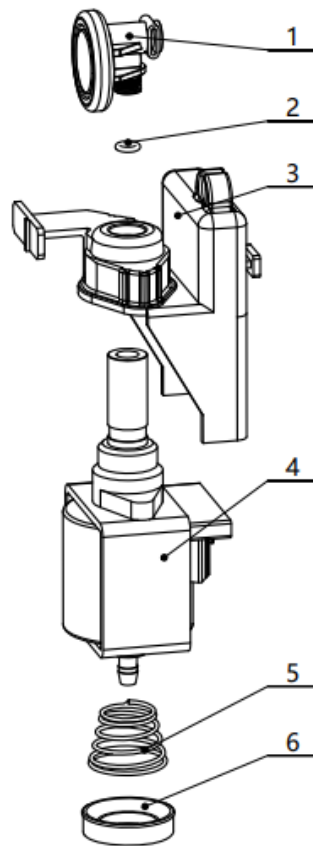
16、3111288600_JL15JL30 锅炉水路组件(Parts Catalogues)



16、3111288600_JL15JL30 锅炉水路组件(List)

编号 S/N	技诺料号 P/N	名称 Description	数量 Qty	页码 Page number
16-1	5301358900	不锈钢梅花槽盘头法兰螺钉 M3*18 Stainless Steel Plum Flute Pan Head Flange Screw M3*18	2	26
16-2	5305050900	平垫圈 5 Flat Washer 5	2	26
16-3	5117051500	JL15&30 锅炉上盖 JL15&30 Boiler Upper Cover	2	26
16-4	3201066800	卡扣式 F 型三通接头 D4 F-type Snap 3W Connector D4	2	26
16-5	3404052600	卡扣式锅炉(金田)_220V_1500W Snap-type Boiler_220V_1500W	1	26
16-6	5117051600	JL15&30 锅炉下盖 JL15&30 Boiler Lower Cover	2	26
16-7	5111308800	JL15&30 锅炉组件底座 JL15&30 Boiler Assembly Base	1	26
16-8	3405057500	卡扣式两位二通阀 Snap-type 2P2W Valve	3	26
16-9	5115053300	4x2 卡扣式接头卡环 4x2 Snap Fitting Ferrule	7	26
16-10	5111328100	D4-0.6 卡扣宝塔接头 D4-0.6 Snap to Silicone Tube Fitting (Beige plastic part (PPS))	1	26
16-11	5206053100	4x2 卡扣式接头密封圈 4x2 Snap Fitting Seal	7	26
16-12	5111308900	JL15&30 锅炉组件隔热座 JL15&30 Boiler Assembly Thermal Insulation Seat	1	26
16-13	5301358700	镀环保锌梅花槽盘头螺钉 M6*18 Zinc Plated Plum Flute Pan Head Screw M6*30	2	26
16-14	5301356700	梅花槽盘头螺钉 M4*8 Plum Flute Pan Head Screw M4*8	2	26
16-15	5133063300	锅炉保险丝压片 Boiler Fuse Press	4	26
16-16	5111330400	L 型 D4 卡扣接头 Snap-type L-D4 Connector	2	26
16-17	3404052700	卡扣式锅炉(金田)_220V_1300W Snap-type Boiler_220V_1300W	1	26
16-18	5303050700	M6 法兰螺母 M6 Flange Nut	2	26
16-19	3201065400	4.8 边 T 通硅胶管接头 4.8mm Edge T-Type Silicone Tubing Connector	1	26
16-20	5111314100	D4 卡扣转硅胶管接头 D4 clip-to-silicone-tube adapter	1	26
16-21	5111103000	卡扣式 T 型 D4 三通接头 Snap-fit T-shaped D4 tee connector	1	26
16-22	5111314000	D4 两端卡扣连接头 D4 dual-end snap-fit connector	1	26

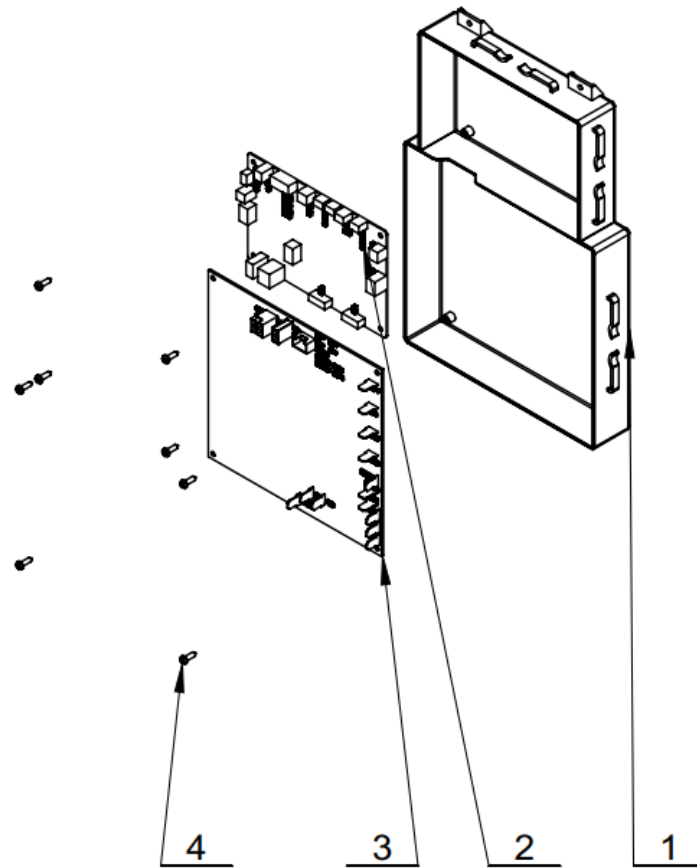
17、柱塞泵安装组件(Parts Catalogues)



17、柱塞泵安装组件(List)

编号 S/N	技诺料号 P/N	名称 Description	数量 Qty	页码 Page number
17-1	3114000200	卡扣式稳流阀组件 Snap-type Stable-flow Valve Assembly	1	28
17-2	5206056200	密封圈(ID5.3XOD8.9X1.8)硬度 50 O-ring (ID 5.3×OD 8.9×1.8) with a hardness of 50 Shore	1	28
17-3	5116301500	电磁泵减震支架 Electromagnetic Pump Shock Absorbing Holder	1	28
17-4	3403055500	ARS 高压柱塞泵 CP4 ARS High Pressure Piston Pump CP4	1	28
17-5	5115053600	电磁泵减震弹簧 Electromagnetic Pump Shock Absorbing Spring	1	28
17-6	5116301700	水泵防震护圈 Water Pump Anti-vibration Ring	1	28

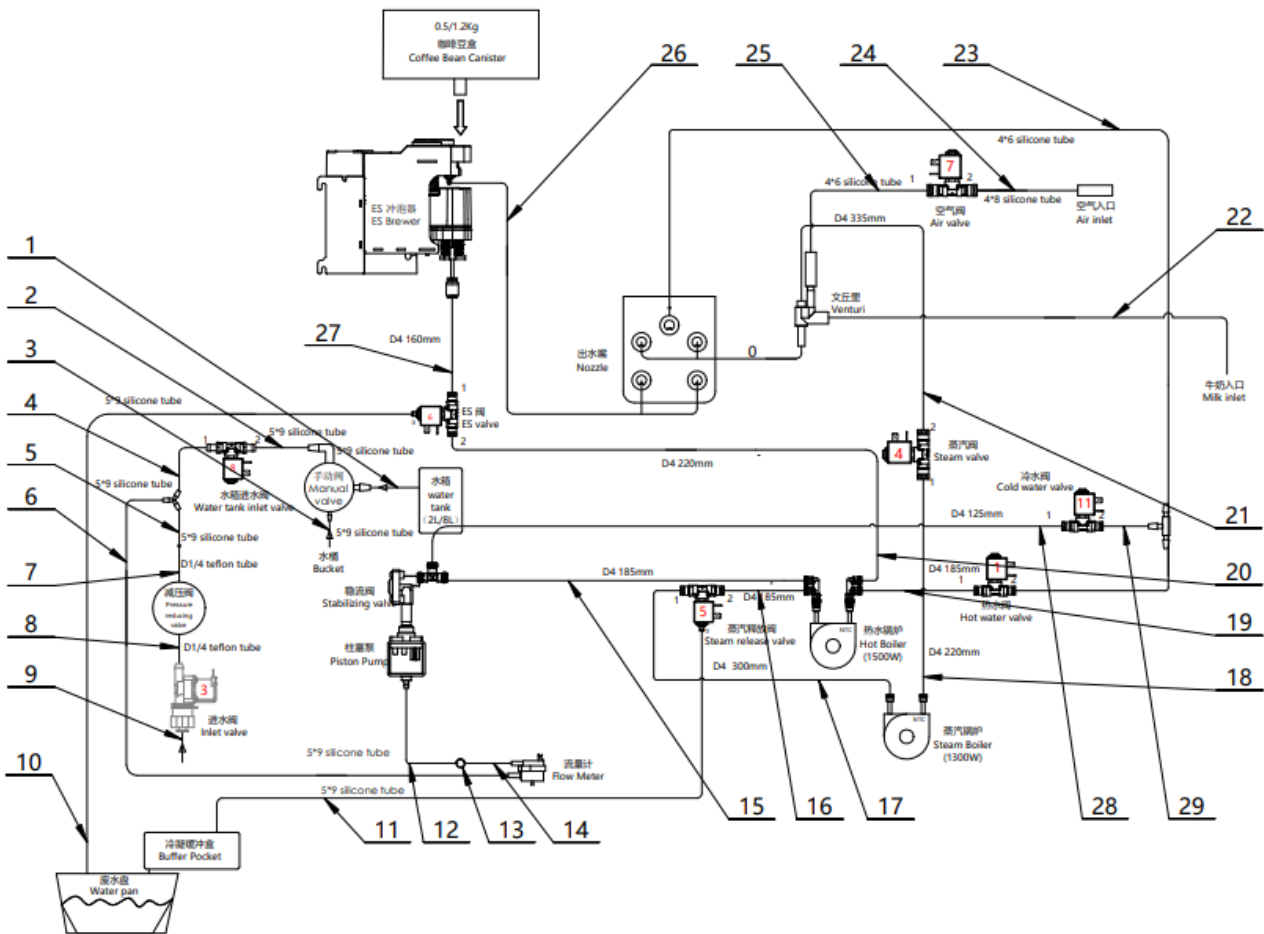
20、3111281200_JL15&30 PCBA 固定组件(Parts Catalogues)



20、3111281200_JL15&30 PCBA 固定组件(List)

编号 S/N	技诺料号 P/N	名称 Description	数量 Qty	页码 Page number
20-1	5111308600	JL15&30PCBA 固定支架 JL15&30 PCBA Fixed Holder	1	29
20-2	3311066600	JL36-IOV1.0	1	29
-	3311063300	JL30_IO 板 JL30_IO board	1	-
20-3	3311066700	JL15-30 POWER BOARD V1.0	1	29
-	3311063500	JL15-30 POWER PCBA V20	1	-
20-4	530205460	镀环保锌梅花槽盘头尖尾自攻螺钉 ST2.9*10 Zinc Plated Plum Flute Pan Head Point Tail Tapping Screw ST2.9*10	8	29

21、6301433600_JL15&JL30 水路图(Parts Catalogues)



21、6301433600_JL15&JL30 水路图(List)

编号 S/N	技诺料号 P/N	名称 Description	数量 Qty	页码 Page number
21-1	5207053700	5x9 硅胶管 (乳白色半透明) 5x9 silicone tube (milky white semi-transparent)	1	30
21-2	5207053700	5x9 硅胶管 (乳白色半透明) 5x9 silicone tube (milky white semi-transparent)	1	30
21-3	5207053700	5x9 硅胶管 (乳白色半透明) 5x9 silicone tube (milky white semi-transparent)	1	30
21-4	5207053700	5x9 硅胶管 (乳白色半透明) 5x9 silicone tube (milky white semi-transparent)	1	30
21-5	5207053700	5x9 硅胶管 (乳白色半透明) 5x9 silicone tube (milky white semi-transparent)	1	30
21-6	5207053700	5x9 硅胶管 (乳白色半透明) 5x9 silicone tube (milky white semi-transparent)	1	30

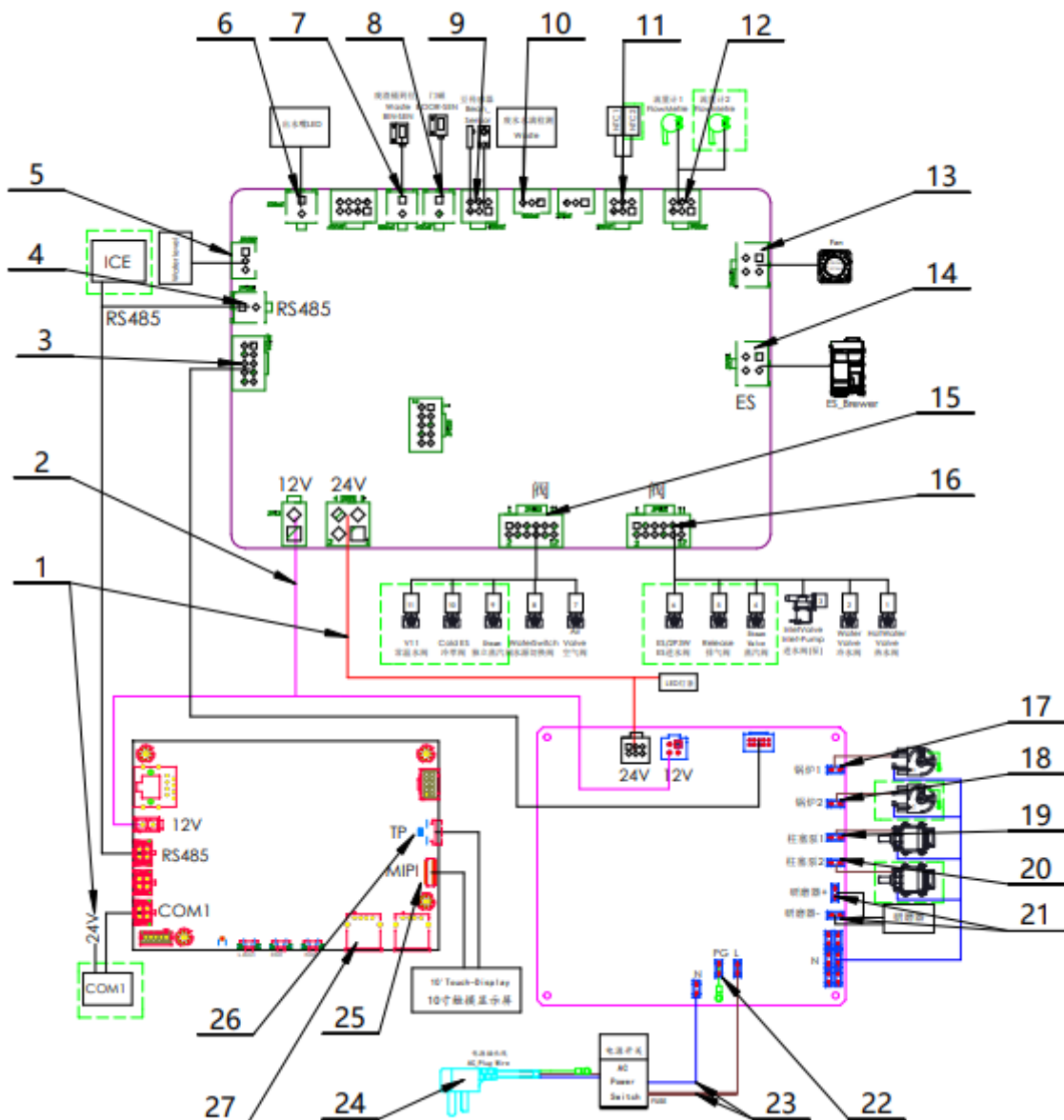
JL30 零件手册 (Parts Catalogues)

21-7	5207051300	英制 1/4 特氟龙管 British 1/4 Teflon tube	1	30
21-8	5207051300	英制 1/4 特氟龙管 British 1/4 Teflon tube	1	30
21-9	5207051300	英制 1/4 特氟龙管 British 1/4 Teflon tube	1	30
21-10	5207053700	5x9 硅胶管 (乳白色半透明) 5x9 silicone tube (milky white semi-transparent)	1	30
21-11	5207053700	5x9 硅胶管 (乳白色半透明) 5x9 silicone tube (milky white semi-transparent)	1	30
21-12	5207053700	5x9 硅胶管 (乳白色半透明) 5x9 silicone tube (milky white semi-transparent)	1	30
21-13	5207051300	英制 1/4 特氟龙管 British 1/4 Teflon tube	1	30
21-14	5207053700	5x9 硅胶管 (乳白色半透明) 5x9 silicone tube (milky white semi-transparent)	1	30
21-15	5207059800	2X4 铜套特氟龙管 185MM 2X4 copper-sheathed Teflon tube 185MM	1	30
21-16	5207059800	2X4 铜套特氟龙管 185MM 2X4 copper-sheathed Teflon tube 185MM	1	30
21-17	5207065000	2X4 铜套特氟龙管 300MM 2X4 copper-sheathed Teflon tube 300MM	1	30
21-18	5207064900	2X4 铜套特氟龙管 220MM 2X4 copper-sheathed Teflon tube 220MM	1	30
21-19	5207059800	2X4 铜套特氟龙管 185MM 2X4 copper-sheathed Teflon tube 185MM	1	30
21-20	5207064900	2X4 铜套特氟龙管 220MM 2X4 copper-sheathed Teflon tube 220MM	1	30
21-21	5207059900	2X4 铜套特氟龙管 335MM 2X4 copper-sheathed Teflon tube 335MM	1	30
21-22	5207064100	4X6 硅胶管 (透明) 4X6 silicone tube (transparent)	1	30
21-23	5207064100	4X6 硅胶管 (透明) 4X6 silicone tube (transparent)	1	30
21-24	5207061000	4X8 硅胶管 (透明) 4X8 silicone tube (transparent)	1	30
21-25	5207064100	4X6 硅胶管 (透明) 4X8 silicone tube (transparent)	1	30
21-26	5207065700	2X6 硅胶管 (透明) 2X6 silicone tube (transparent)	1	30
-	5207070400	2X6 硅胶管 (黑色) 4X6 silicone tube(black)	1	30

JL30 零件手册 (Parts Catalogues)

21-27	5207065400	2X4 单端铜套特氟龙管 160MM 2X4 single-ended copper-sheathed Teflon tube 160MM	1	30
21-28	5207059500	2X4 铜套特氟龙管 125MM 2X4 copper-sheathed Teflon tube 125MM	1	30
21-29	5207064100	4X6 硅胶管 (透明) 4X6 silicone tube (transparent)	1	30

22、6301433500_JL15&JL30 电气接线图



22、6301433500_JL15&JL30 电气接线图(List)

编号 S/N	技诺料号 P/N	名称 Description	数量 Qty	页码 Page number
22-1	5402164900	24V&COM1 连接线 (JL15&JL30) 24V&COM1 connection cables (JL15&JL30)	1	32
-	5402167600	24V&MDB&LED 连接线 (JL31) 24V&MDB&LED connection cable (JL31)	1	10.1 屏
22-2	5402165000	12V 电源线 (JL15&JL30) 12V power cord (JL15&JL30)	1	32
22-3	5402164800	强电 IO 连接线(JL15&JL30) Strong current IO connection cable (JL15&JL30)	1	32
22-4	5402165200	RS485 通讯线 (JL15&JL30) RS485 communication line (JL15&JL30)	1	32
22-5	5402166000	水位传感器线 (JL15&JL30) Water level sensor line (JL15&JL30)	1	32
22-6	5402166100	LED 灯连接线 (JL15&JL30) LED light connection wire (JL15&JL30)	1	32
22-7	5405101200	常开干簧管, 滴水盘在位检测 Normally open reed switch	1	32
22-8	5405101200	常开干簧管, 出嘴盖板在位检测 Normally open reed switch	1	32
22-9	5405101300	豆传感器 (JL15&JL30) Bean sensor (JL15&JL30)	1	32
22-10	5402164700	废水水满检测线 (JL15&JL30) Wastewater full detection line (JL15&JL30)	1	32
22-11	5402165500	温度传感器连接线 (JL15&JL30) Temperature sensor connection wire (JL15&JL30)	1	32
22-12	5402183600	流量计连接线 (JL15&JL30) Flowmeter connection lines (JL15&JL30)	1	32
22-13	3402052500	24V 风扇 6025 24V fan 6025	1	32
22-14	5402164600	酿造器连接线 (JL15&JL30) Brewer connection cable (JL15&JL30)	1	32
22-15	5402166700	阀连接线 2 (JL15&JL30) Valve connection wire 2 (JL15&JL30)	1	32
-	5402165900	阀连接线 2 (JL31) Valve connection wire 2 (JL31)	1	JL31A&JL31B
22-16	5402166600	阀连接线 1 (JL15&JL30) Valve connection wire 1 (JL15&JL30)	1	32
22-17	5402164400	热水锅炉连接线(JL15&JL30) Hot water boiler connection wire (JL15&JL30)	1	32

JL30 零件手册 (Parts Catalogues)

22-18	5402164500	蒸汽锅炉连接线(JL15&JL30) Steam boiler connection wire (JL15&JL30)	1	32
22-19	5402164200	柱塞泵连接线 (JL15&JL30) Plunger pump connection wire (JL15&JL30)	1	32
22-20	5402164200	柱塞泵连接线 (JL15&JL30) Plunger pump connection wire (JL15&JL30)	1	32
22-21	5402164300	研磨器连接线 (JL15&JL30), 带磁环 Grinder connection wire (JL15&JL30) with magnetic ring	1	32
22-22	5402166200	接地连接线 (JL15&JL30) Ground connection wire (JL15&JL30)	1	32
-	5402202900	接地连接线 KR (JL15&JL30) Ground connection wire KR (JL15&JL30)	1	32
-	5402206500	接地连接线 KR (JL31) Ground connection wire KR (JL31)	1	JL31A&JL31B
22-23	5402164100	电源开关连接线 (JL15&JL30) Power switch connection wire (JL15&JL30)	1	32
-	5402168900	电源保险丝连接线 (JL30) Power fuse connection wire (JL30)	1	32
22-24	-5402161700	国标品字尾电源线(1.0mm ²) National standard power cord (1.0mm ²)	1	32
-	5402172500	韩标 C13 品字尾电源线 Korean standard C13 line power cord	1	32
-	5402175400	韩标插头电源线 Korean standard plug power cord	1	JL31A&JL31B
22-25	5401054800	MIPI_FPC 排线 (230mm), 连显示屏 MIPI_FPC flat cable (230mm) with display	1	32
22-26	3406056000	7 英寸触摸屏 7-inch Touch Screen	1	32
22-27	5402165700A	带耳环 USB 延长线 (300mm) USB extension cable with earrings (300mm)	2	10.1 屏