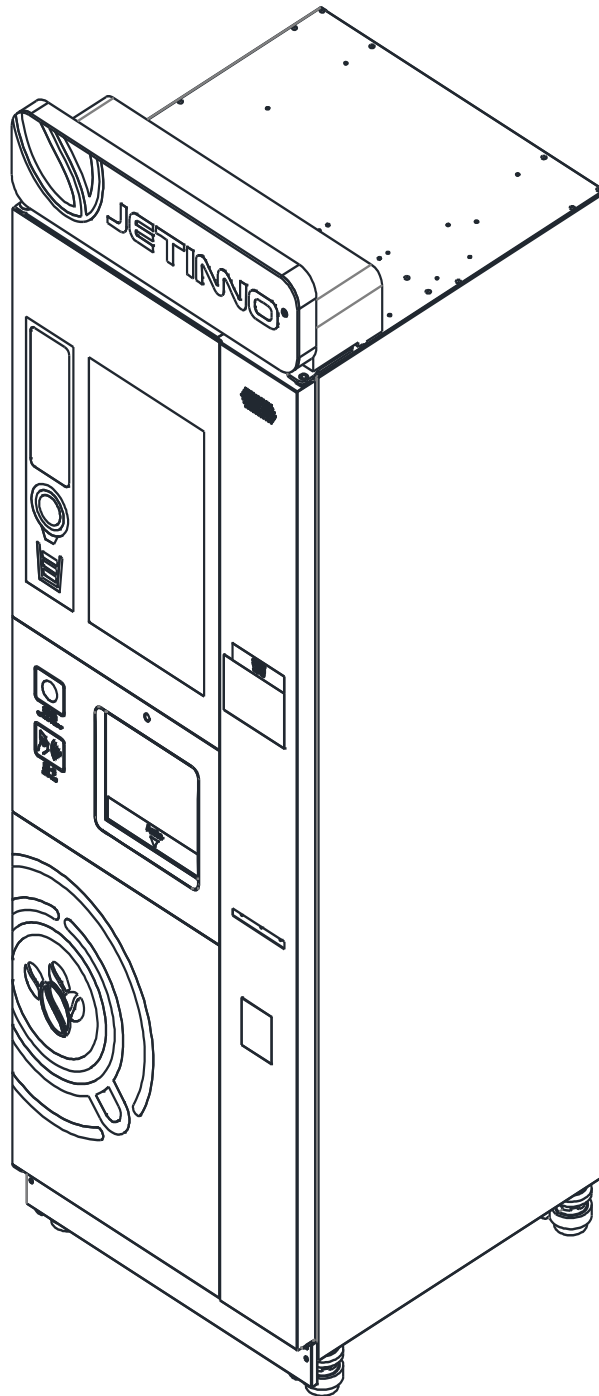
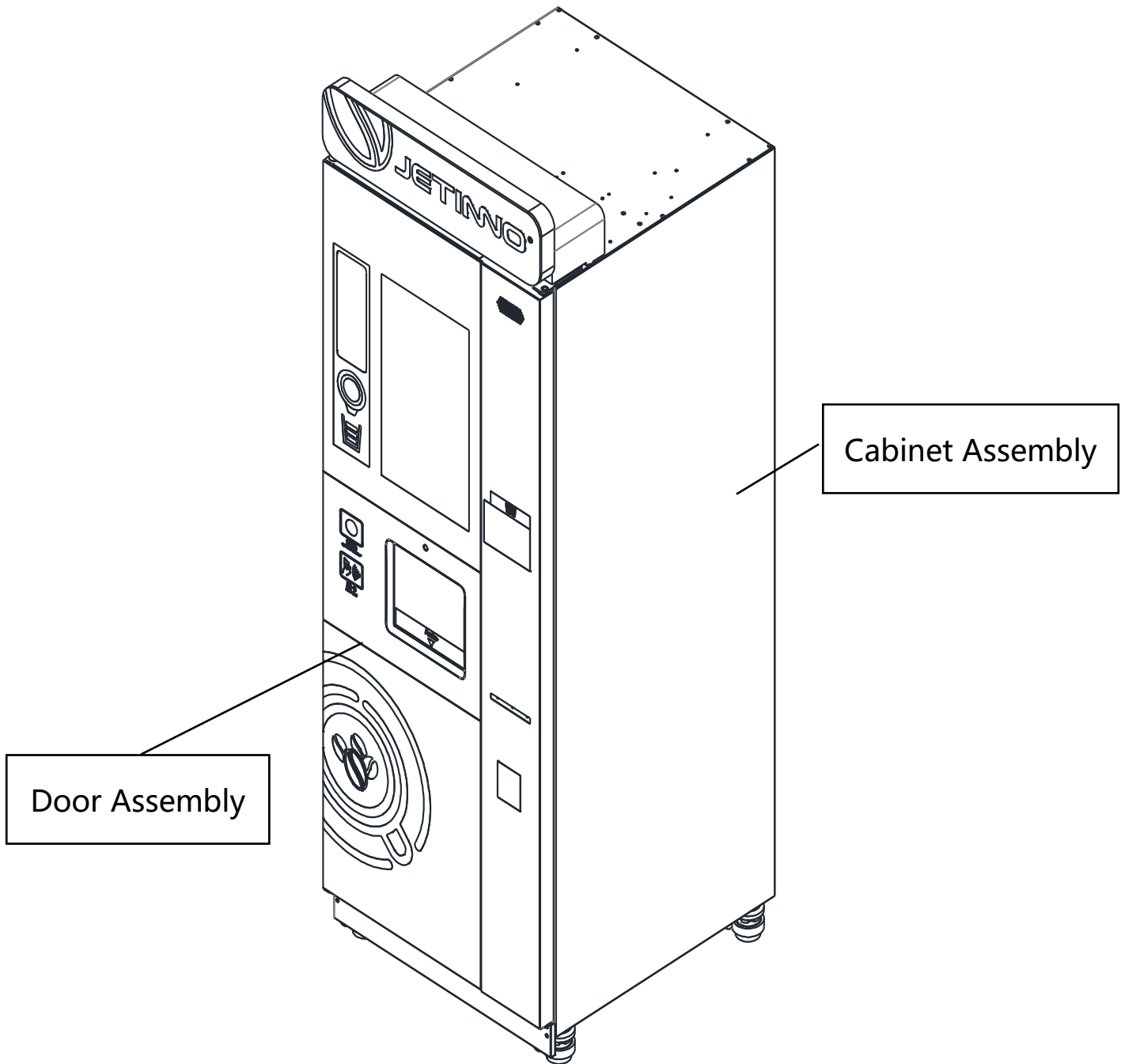


JL300-ES7C-I Parts Catalogues



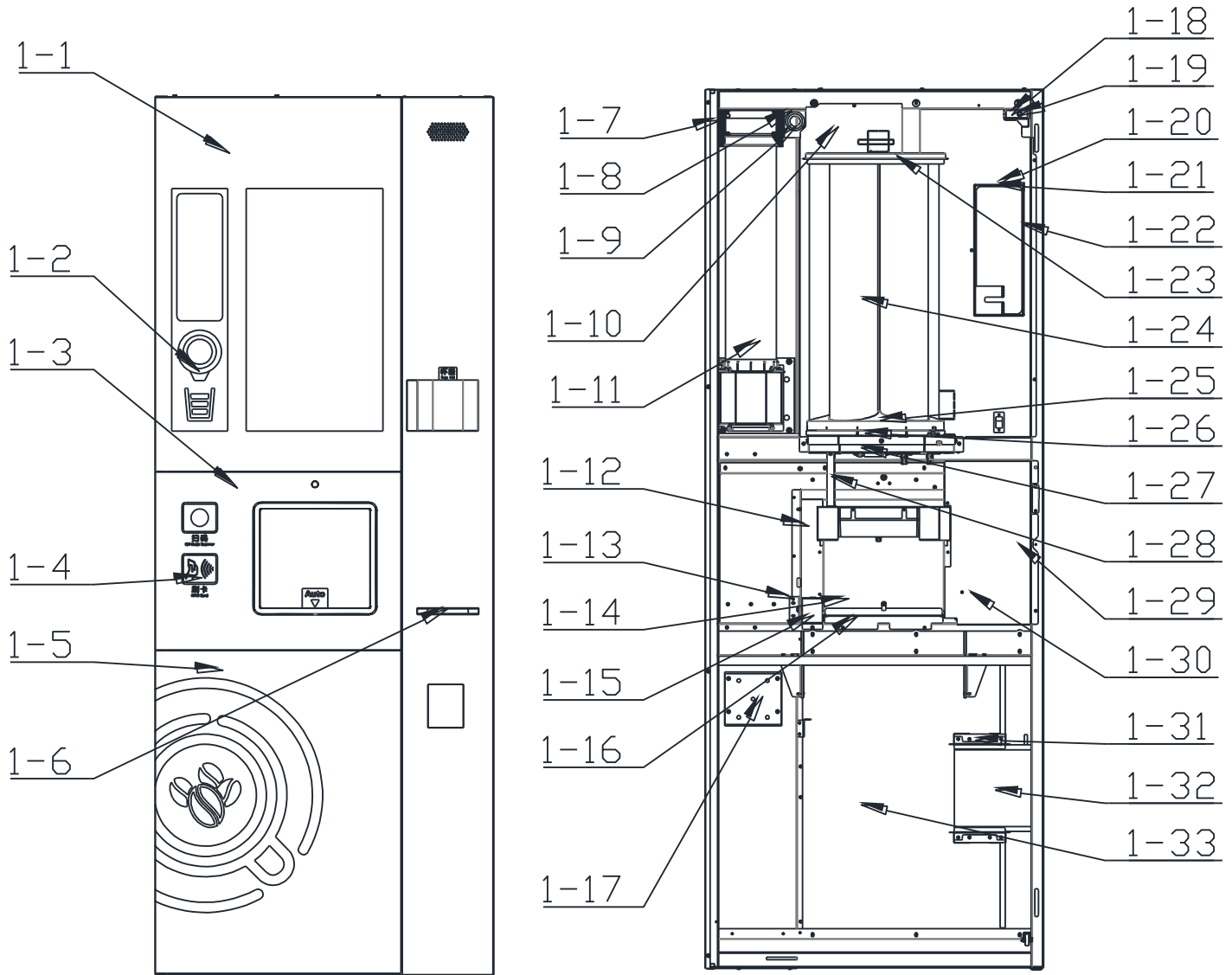
Document history

Description	Ver.	Date	Amend Record	Name
JL300-ES7C-I Parts Catalogues	A	2022.06.14	New	Compiled by: Simin WU Reviewed by: Tony Zhang Approved by: Kevin Yang



S/N	P/N	Description	Qty	Page number
1-XX	---	Door Assembly	1	2
2-XX	---	Cabinet Assembly	1	5

1-XX Door Assembly Position Diagram

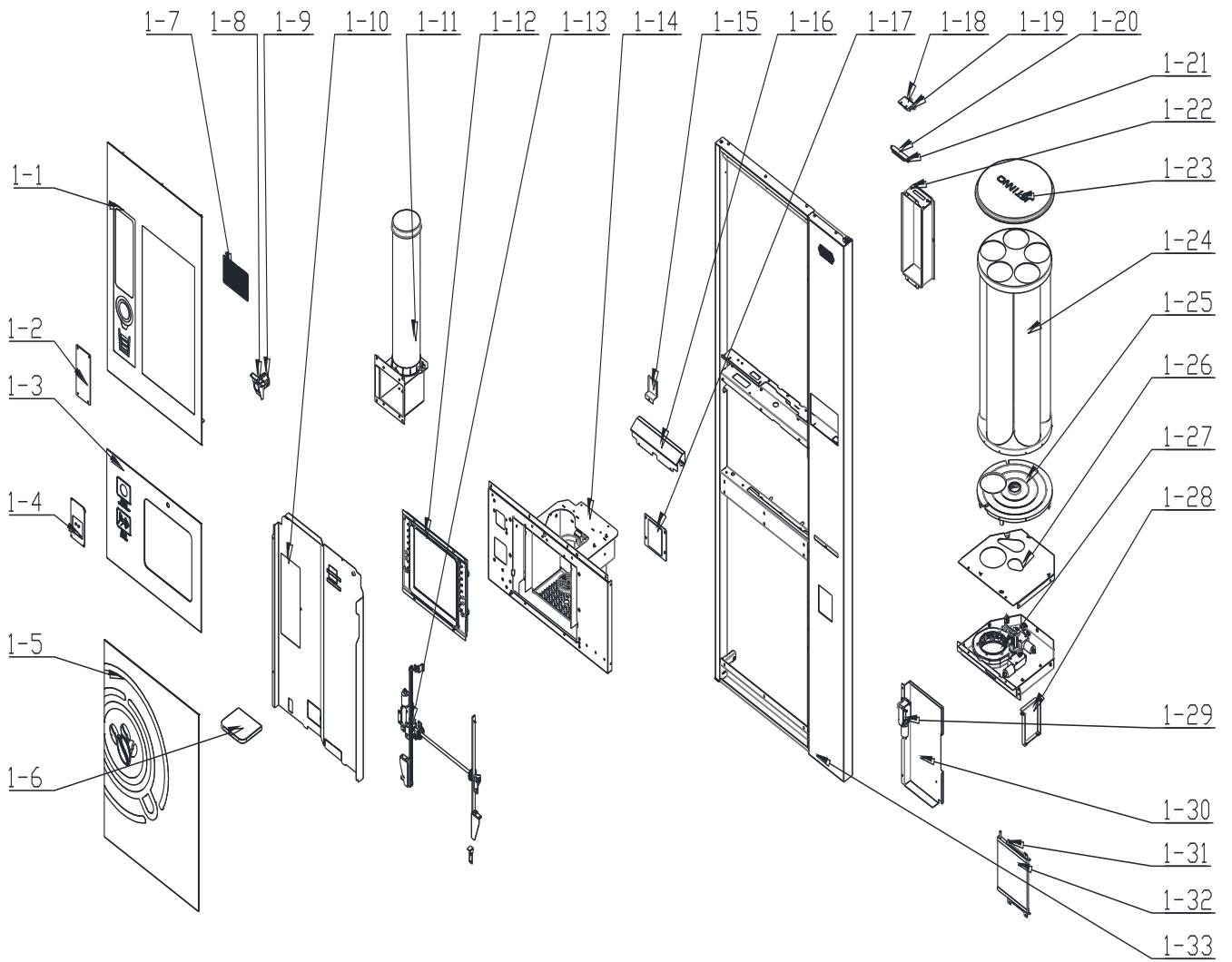


Front View

Back View

1-XX Door Assembly

Copying or forwarding the contents shall be subject to the written permission of JETINNO



1-XX Door Assembly List

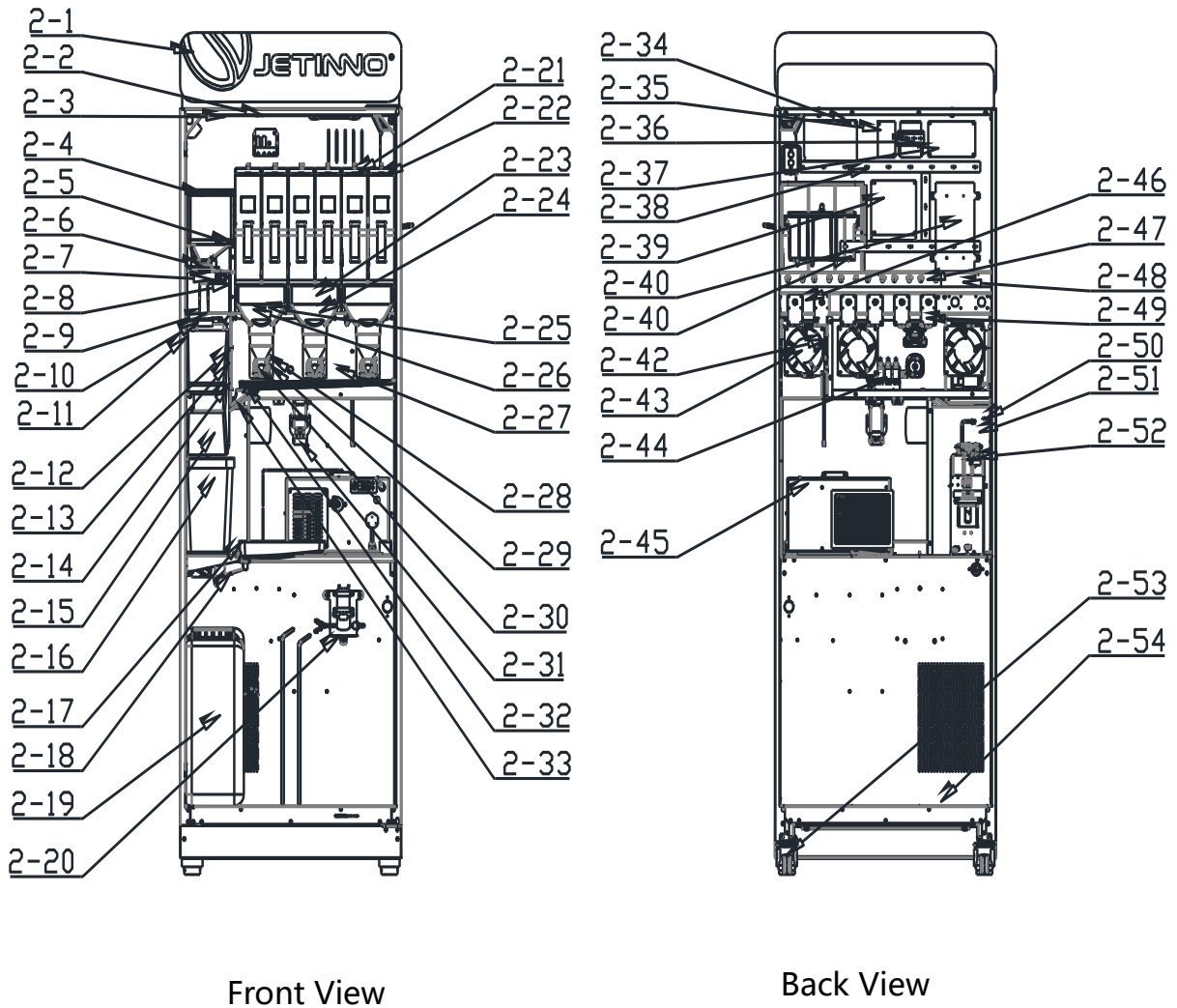
Copying or forwarding the contents shall be subject to the written permission of JETINNO

JL300-ES7C-I Parts Catalogues

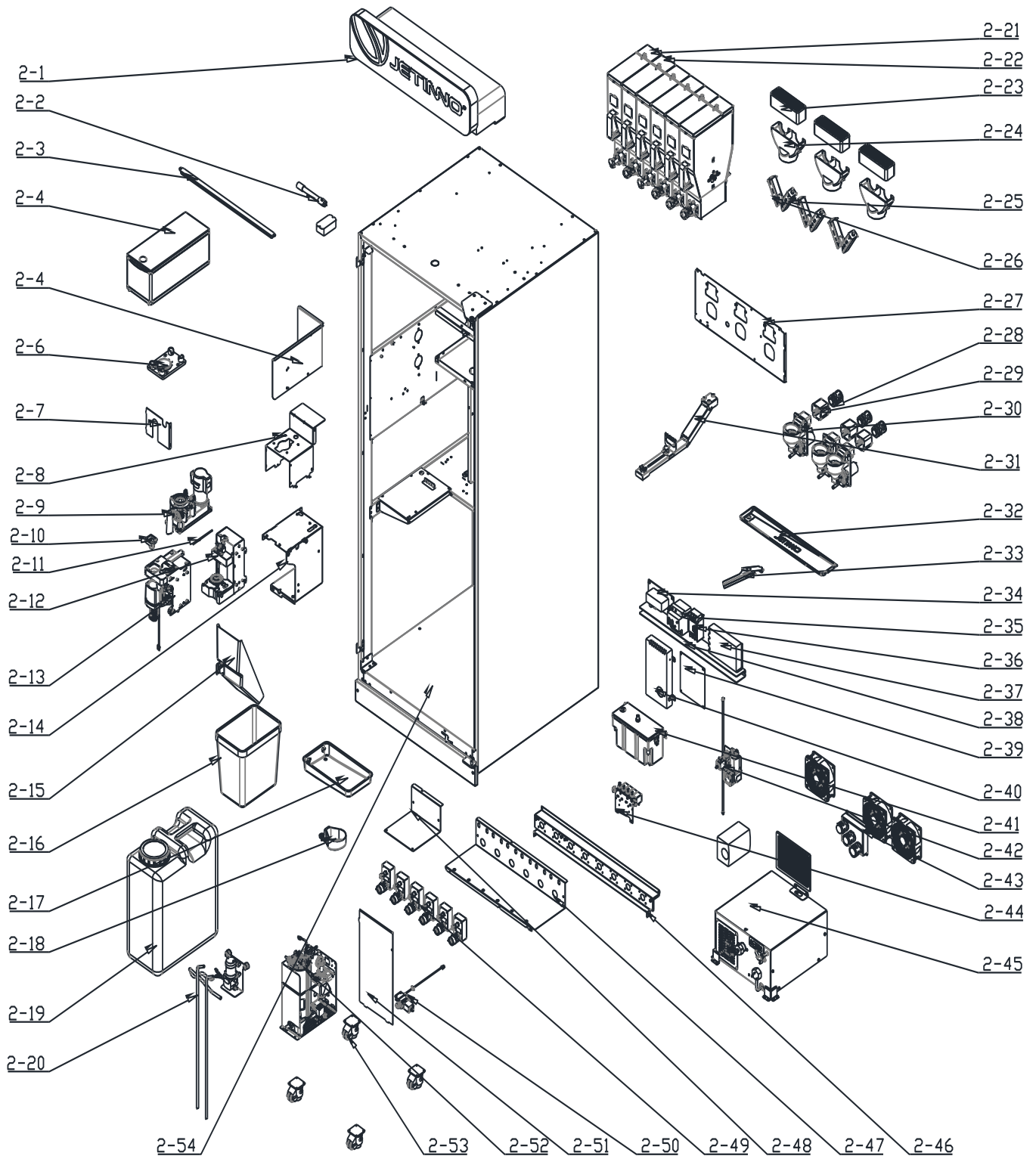
S/N	P/N	Description	Qty	Page Number
1-1	---	JL300 Touch Screen Assembly	1	9
1-2	3311061800	LED_BREATHING_BOARD V1.0	1	---
1-3	3111115000	JL300 Auto Door front Glass Assembly	1	---
1-4	3311052100	RFID_BOARD_V1.3	1	---
1-5	---	JL300 Lower Glass Assembly	1	10
1-6	5119062401	JL300 Packing table	1	---
1-7	5210050600	Fly Net	1	---
1-8	5133085900	JL300 Door Corrugated Pipe Bracket	1	---
1-9	3201050800	Air Channel Adapter(AD28.5-M25)	1	---
1-10	5133086000	JL300 Door Back Cover	1	---
1-11	3111116100	Manually Remove Lid Assembly(D90)	1	---
1-12	---	Auto Door Assembly	1	11
1-13	---	Auto Door Guide Rail Assembly	1	12
1-14	3111116200	JL300 Cup Holder Assembly	1	13
1-15	5133086200	Gear Cover	1	---
1-16	51330830**	The Guide Bracket Of Take Away Cup	1	---
1-17	51330828**	Coin Return Cover	1	---
1-18	5133085600	Door Switch Bracket	1	---
1-19	3313050200	Door Switch	1	---
1-20	3410050300	LED Light For Door	1	---
1-21	5119062300	LED Light-Transmitting Plate	1	---
1-22	5133085400	Coffee Bean Window Baffle	1	---
1-23	5111056400	D90 Cup Container Cover	1	---
1-24	3111051300	D90 Cup Container Assembly	1	---
1-25	5111055900	Cup Container Base(D90)	1	---
1-26	51330832**	Cup Dispenser Cover Plate (D90)	1	---
1-27	21060509**	Cup System Assembly(D90)	1	14
1-28	51330831**	Cup System Lower Bracket	1	---
1-29	3401050400	Motor 86132	1	---
1-30	51330864**	Right Prventer Plate	1	---
1-31	5133085500	Faceplate lamp Bracket	2	---
1-32	3416052900	JL300 Below Faceplate lamp	1	---
1-33	31122176**	JL300 Door Frame Assembly	1	---

PS : JETINNO P/N The last two" ***" representative color , black machine use 01 , blue machine use 23.

2-XX Cabinet Assembly Position Diagram



2-XX Cabinet Assembly



2-XX Cabinet Assembly List

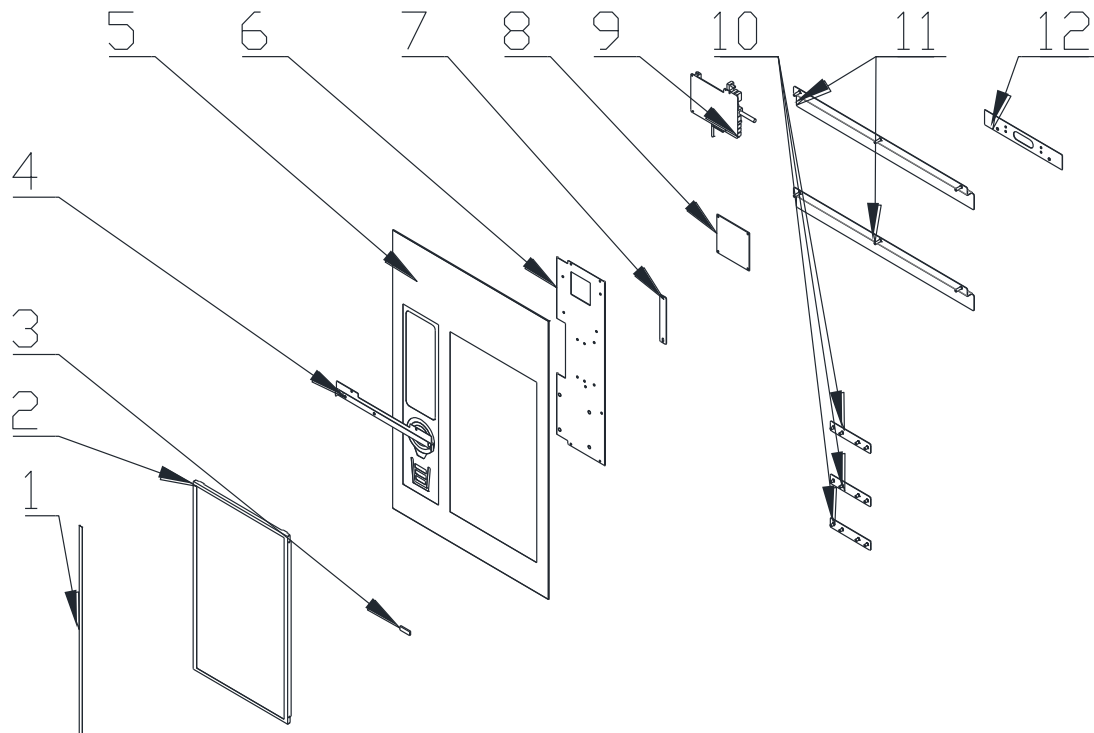
S/N	P/N	Description	Qty	Page Number
2-1	3416053100	JL300 Lamp Box (Blue)	1	
	3416053000	JL300 Lamp Box (Black)	1	---
2-2	3410050700	Ultraviolet Sterilization Lamp	1	---
2-3	3313060700	LED Lamp	1	---
2-4	2104054600	W137H187 Coffee Bean Container	1	---
2-5	51330821**	Grinder Side Cover	1	---
2-6	3121063300	Grinder Base Assembly	1	---
2-7	5133082000	Grinder Front Cover	1	---
2-8	51330819**	Coffee Bean Container Supporting Bracket	1	---
2-9	2103051100	Jetinno Grinder Module (220V)	1	---
2-10	5111082000	Coffee Powder Funnel	1	
2-11	5114065900	Shaft	1	
2-12	3111087500	ES Brewer Driver Assembly (No PCBA)	1	---
2-13	3111055400	14g ES Brewer	1	---
2-14	51330818**	ES Bracket	1	---
2-15	5111104800	Waste Residue Funnel	1	---
2-16	5113104100	Waste Bin-6L	1	---
2-17	5111104700	Water Drip Plate	1	---
2-18	5111053400	Drip Cup	1	---
2-19	3111103600	Waste Bin Assembly	1	---
2-20	3111116300	Single Pump Assembly	1	---
2-21	2104051900	Instant Container W78H350-Dual Wheel Left Assembly	3	---
2-22	2104052000	Instant Container W78H350-Dual Wheel Right Assembly	3	---
2-23	5111081300	Insect Proof Box Cover-2x78mm	3	---
2-24	5111081200	Insect Proof Box Base-2x78mm	3	---
2-25	5111064000	Instant Container Outlet(Left)	3	---
2-26	5111063100	Instant Container Outlet(Right)	3	---
2-27	5133092400	ES7C Mixer Bracket	1	---

JL300-ES7C-I Parts Catalogues

2-28	3201050800	Air Channel Adapter(AD28.5-M25)	3	---
2-29	5111073900	Mixer Air Channel Cover	3	---
2-30	3121061800	Mixer (Single Port)	1	---
2-31	---	Drink Outlet Assembly	1	15
2-32	5111057400	ES7C Water Drip Plate	1	---
2-33	5133092300	JL300 Water Drip Plate guide	1	---
2-34	3311050400	RELAY_BOARD_V1.2	1	---
2-35	5406051800	Air Switch-Chint 25C	1	---
2-36	5423050200	filter (RSEN-2016)	1	---
2-37	3408050500	12V Power Supply(LRS-150-12)	1	---
2-38	5211050100	PVC Inflaming Retarding Line groove (50mmX25mm)	1	---
2-39	3311056000	I O CTRL BOARD V1.0.2	1	---
2-40	3408050800	Power Supply RSP-200-24	1	---
2-41	3121057400	Air Break Assembly	1	---
2-42	2107053700	JL300 Air Pump Assembly	1	---
2-43	---	Fan Assembly	1	16
2-44	---	JL300 Chain Valve Assembly	1	17
2-45	3113062400	JL300 Water Cooler System Assembly	1	18
2-46	5133091900	ESFB motor Bracket	1	---
2-47	5133092100	ESFB Instant Container Bracket	1	---
2-48	5133092000	ESFB Instant Container left Cover	1	---
2-49	3401052400	Instant Container Motor Vigor BO26	6	---
2-50	---	JL300 Solenoid Valve Assembly(2-3)	1	19
2-51	5133091600	Water Module Cover	1	---
2-52	2107053600	JL300 Water Module (With Cold Water)	1	20
2-53	3204050400	Foot Wheel	4	---
2-54	22010603**	JL300 Cabinet Frame Assembly	1	---

PS : JETINNO P/N The last two" ***" representative color , black machine use 01 , blue machine use 23.

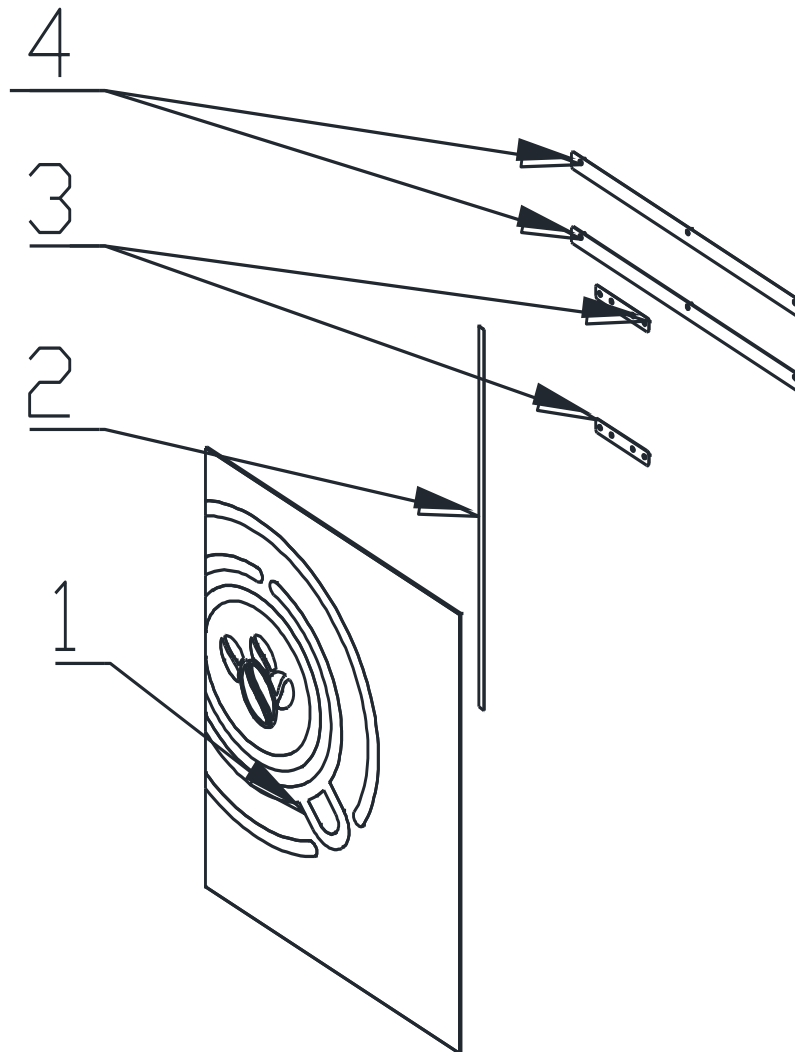
1-1 JL300 Touch Screen Assembly



1-1 JL300 Touch Screen Assembly List

S/N	P/N	Description	Qty	Remark
1	5210050200	Light Guide Film	1	
2	3409050400	21.5 Inch Display	1	
3	6101054000	Edge Of The Glass Foam	1	
4	5133085200	JL300 Top Fix Bracket Of Display	1	
5	3406054823	JL300 Touch Screen	1	Blue
	3406054824	JL300 Touch Screen	1	Black
6	5133085100	JL300 PCBA Fix Bracket	1	
7	3311057600	Screen Relay Board	1	
8	3311053100	CUP BOARD_V1.3.3	1	
9	3311058700	A83TS_STUM_V1.2	1	
10	5133082500	Window Bracket	3	
11	5133084800	JL300 Touch Screen Top Fix Bracket	2	
12	5133084700	Screen Top Fix Bracket	1	

1-5 JL300 Lower Glass Assembly

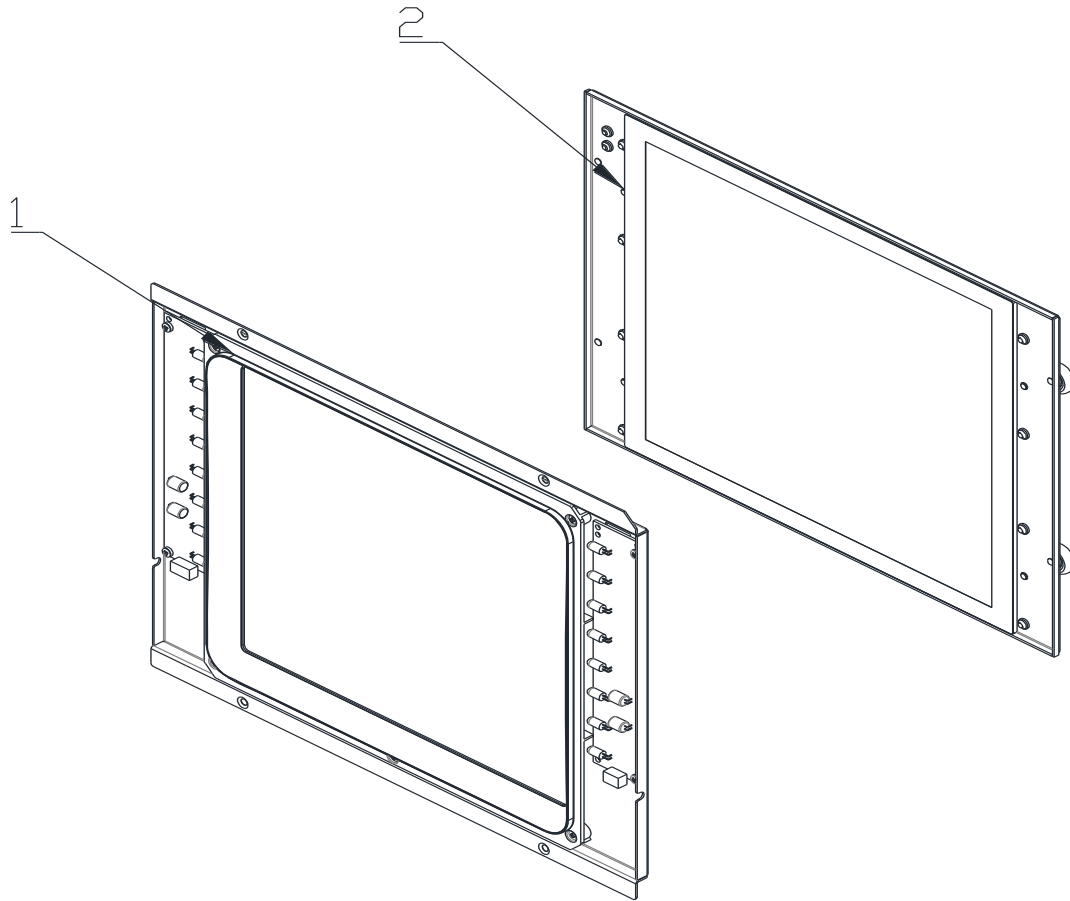


1-5 JL300 Lower Glass Assembly List

S/N	P/N	Description	Qty	Remark
1	5118183923	JL300 Lower Glass	1	Blue
	5118183924	JL300 Lower Glass	1	Black
2	5210050200	Light Guide Film	1	
3	5133082500	Window Bracket	2	
4	5133082300	JL300 MiddleLower Glass Bracket	2	

Copying or forwarding the contents shall be subject to the written permission of JETINNO

1-12 Auto Door Assembly

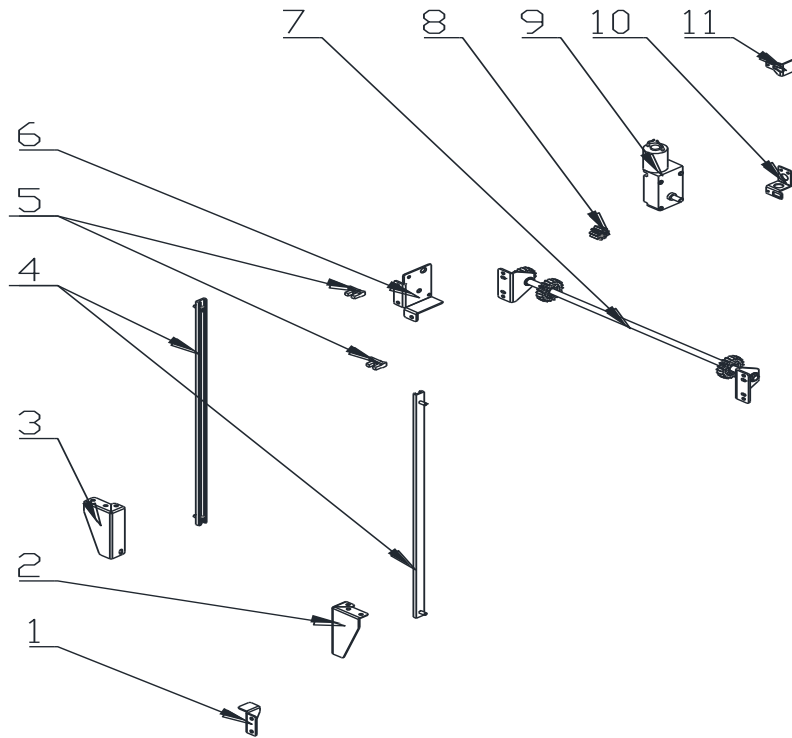


1-12 Auto Door Assembly List

S/N	P/N	Description	Qty	Remark
1	311115500	JL300 Light Curtain Assembly	1	
2	3111156**	JL300 Auto Door Glass Assembly	1	

PS : JETINNO P/N The last two" **" representative color , black machine use 01 , blue machine use 23.

1-13 Auto Door Guide Rail Assembly

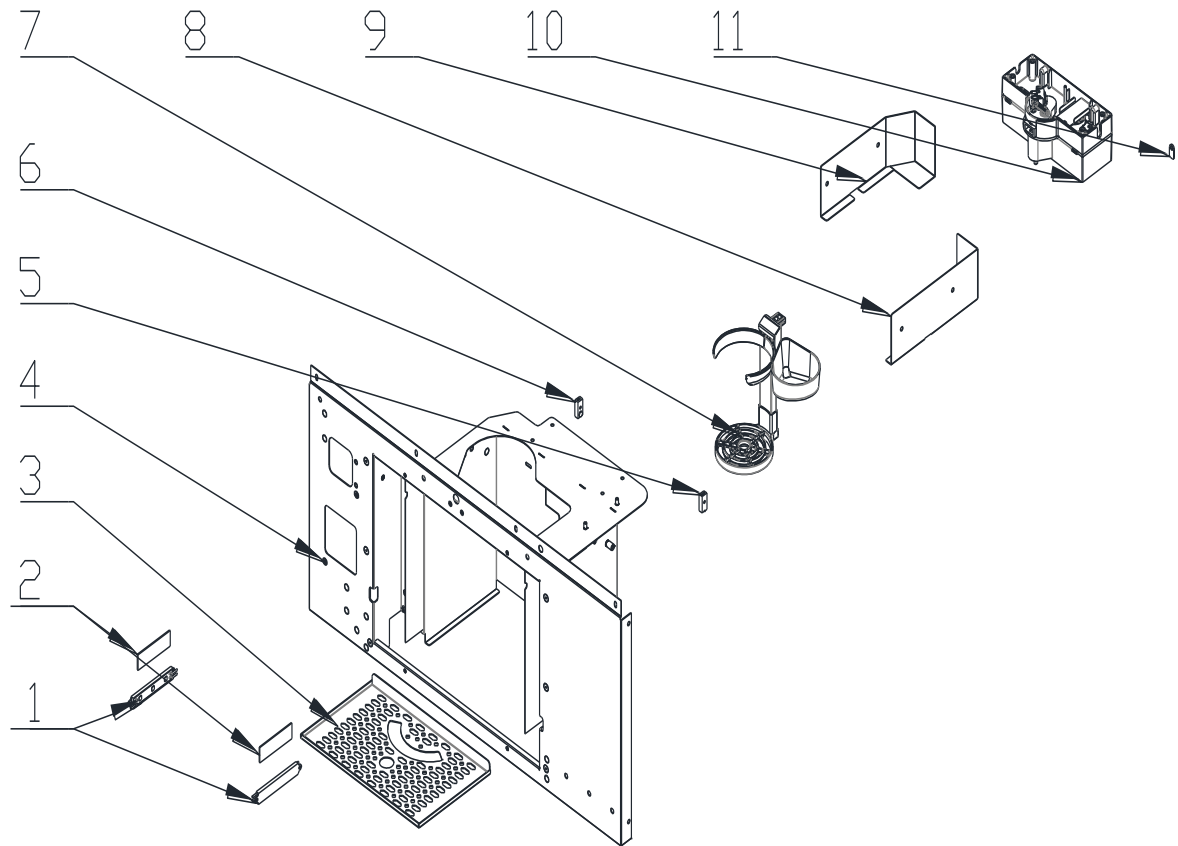


1-13 Auto Door Guide Rail Assembly List

S/N	P/N	Description	Qty	Remark
1	5133084600	Auto Door Stop Block	1	
2	5133084400	Auto Door Guide Rail Right Bracket	1	
3	5133084500	Auto Door Guide Rail Left Bracket	1	
4	5114055100	Auto Door Guide Rail	2	
5	5405052900	U Type Sensor (KI5651 OJ_4705)	2	
6	5133084200	Motor Bracket	1	
7	3111115700	JL300 Auto Door Driving Shaft Assembly	1	
8	5201050300	FB Tea Brewer Driver Gear	1	
9	3401050400	Motor 86132	1	
10	5133082700	Auto Door Sensor Lower Bracket	1	
11	5133082600	Auto Door Sensor Up Bracket	1	

Copying or forwarding the contents shall be subject to the written permission of JETINNO

1-14 JL300 Cup Holder Assembly

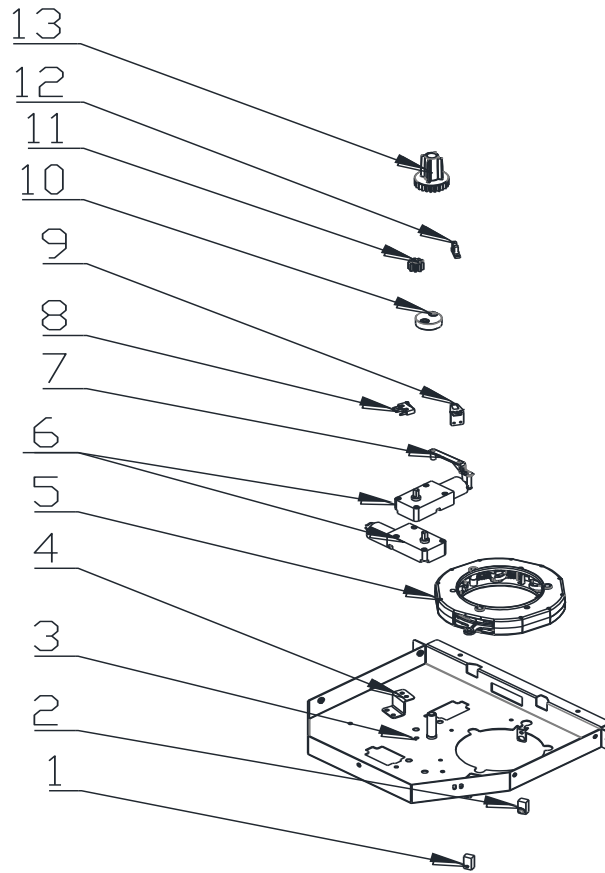


1-14 JL300 Cup Holder Assembly List

S/N	P/N	Description	Qty	Remark
1	3313063600	Door LED Light (With Wire & Connector)	2	
2	5119062300	LED Light-Transmitting Plate	2	
3	51330814**	Water Drip Plate Lid	1	
4	31122178**	JL300 Cup Holder Bracket	1	
5	3313062700	Infrared Sensor-Emitter(KB1246)	1	
6	3313062600	Infrared Sensor-Receiver(KB1246)	1	
7	3111056100	adjustable Cup Holder Assembly	1	
8	51330812**	Left Line Groove	1	
9	51330813**	Sensor Right Cover	1	
10	3111053200	Cup Catcher Driver Assembly(D80)	1	
11	5133081500	Water Drip Plate Lid Stop Block	1	

PS : JETINNO P/N The last two" **" representative color , black machine use 01 , blue machine use 23.

1-27 Cup System Assembly(D90)

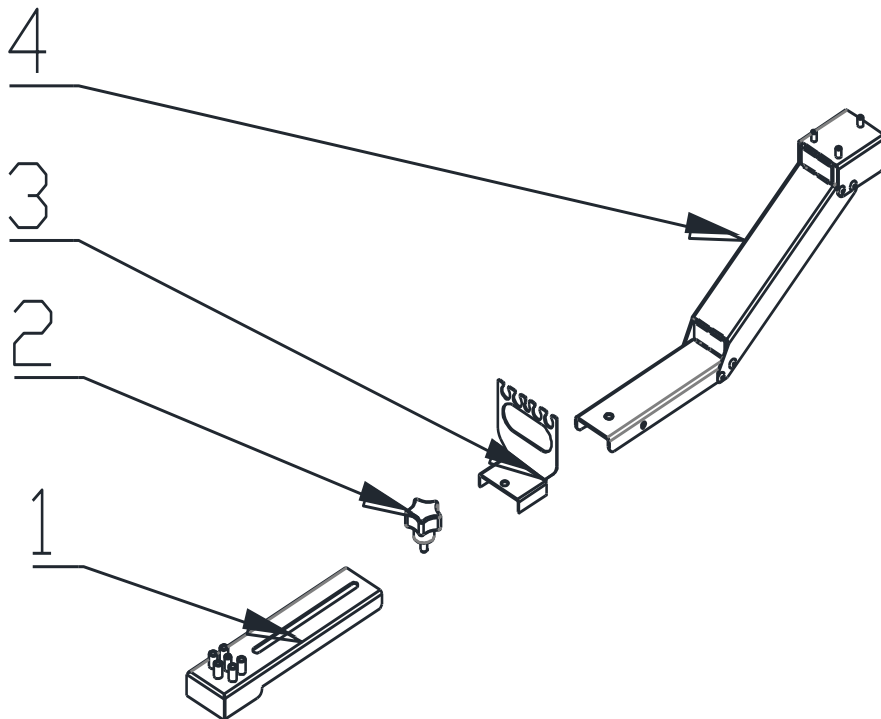


1-27 Cup System Assembly(D90) List

S/N	P/N	Description	Qty	Remark
1	5405051000	Infrared Sensor-Receiver(With Wire & Connector)	1	
2	5405051100	Infrared Sensor-Emitter(With Wire & Connector)	1	
3	51330833**	Cup Dispenser Housing	1	
4	5113050700	Cup Dispenser Micro-switch Bracket	1	
5	3111051400	Cup Dispenser Gear Assembly (D90)	1	
6	3401050400	Motor 86132	2	
7	5121053300	Push Pole For Cup Dispenser	1	
8	5406050200	Micro-switch With Wire	1	
9	5133083400	U Type Sensor Bracket	1	
10	5114052800	Cam	1	
11	5201050300	FB Tea Brewer Driver Gear	1	
12	5405052900	U Type Sensor (KI5651 OJ_4705)	1	
13	5201051100	Cup Container Shaft	1	

PS : JETINNO P/N The last two" **" representative color , black machine use 01 , blue machine use 23.

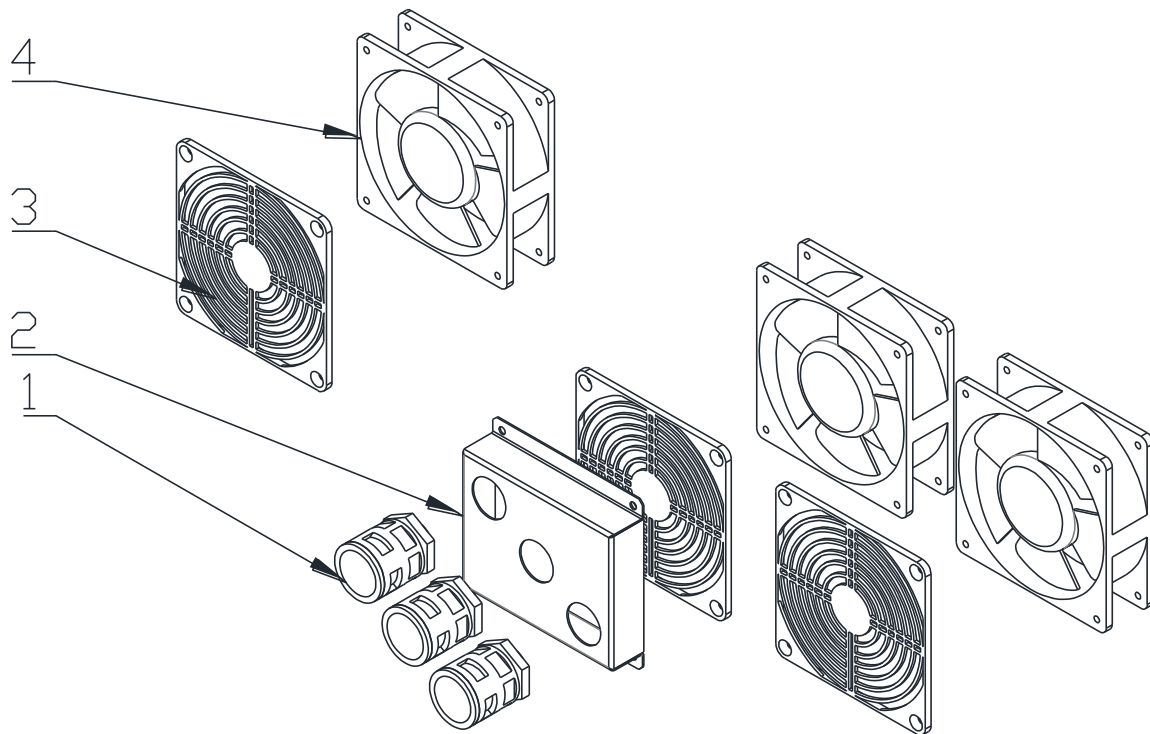
2-31 Drink Outlet Assembly



2-31 Drink Outlet Assembly List

S/N	P/N	Description	Qty	Remark
1	5133091500	Drink Outlet	1	
2	5303050500	Han A Nut(M5x10)	1	
3	5133091300	Water pipe Bracket	1	
4	5133091400	JL300 Drink Outlet Bracket	1	

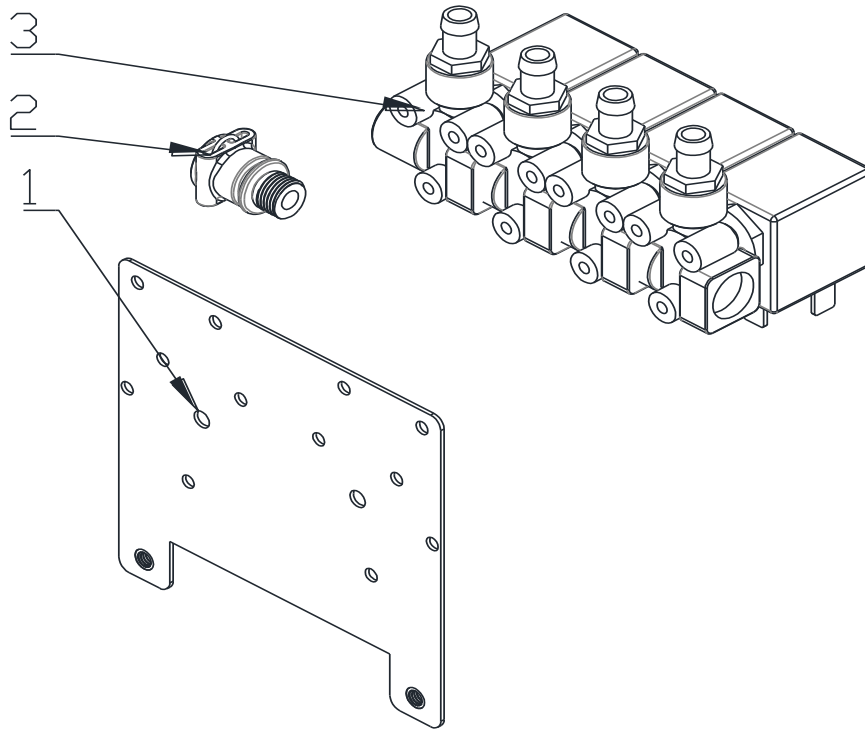
2-43 Fan Assembly



2-43 Fan Assembly List

S/N	P/N	Description	Qty	Remark
1	3201050800	Air Channel Adapter(AD28.5-M25)	3	
2	5113060100	Air Channel Bracket(3 Holes)	1	
3	5210050300	Dust-Proof Net For 12cm Fan	3	
4	5402089200	24V Variable Speed Fan(With Wire & Connector)	3	

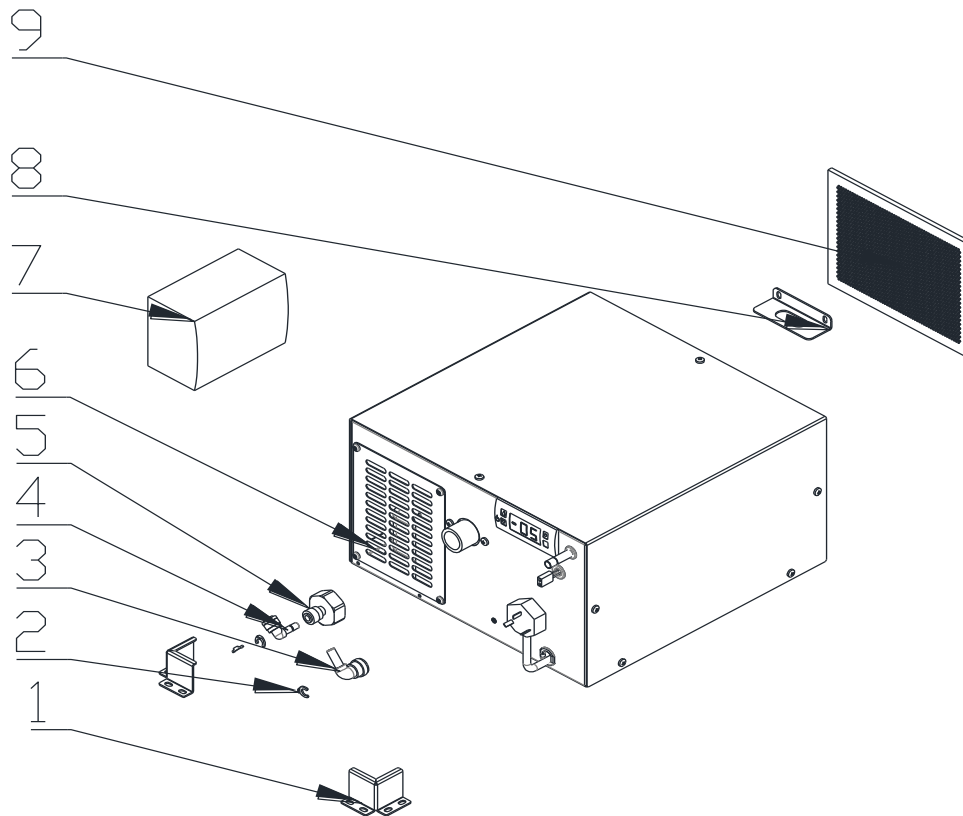
2-44 JL300 Chain Valve Assembly



2-44 JL300 Chain Valve Assembly List

S/N	P/N	Description	Qty	Remark
1	5133090800	JL300 Chain Valve Bracket	1	
2	5111101600	Quick Connector D6 G1-8	1	
3	3405050200	ODE Chain Valve(24MA2V)	1	

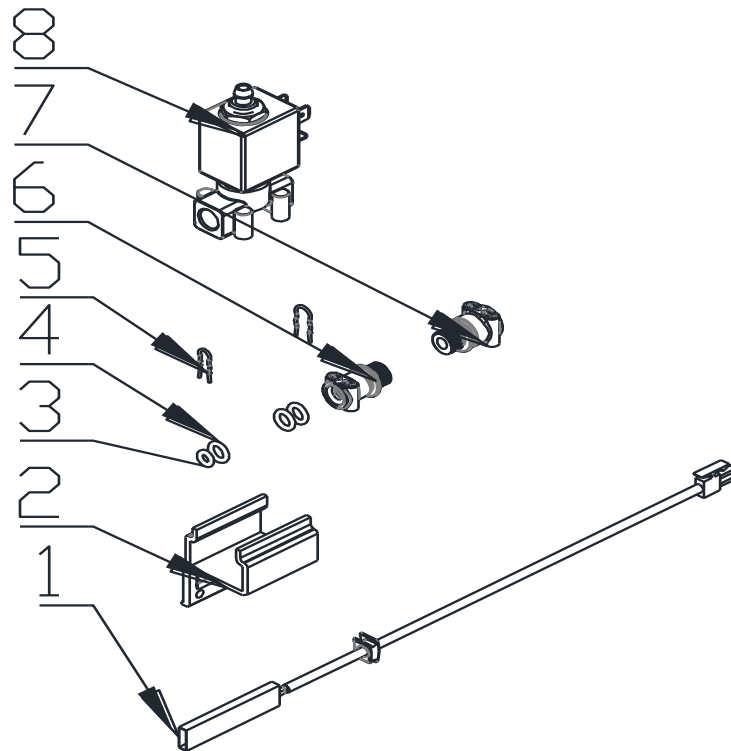
2-45 JL300 Water Cooler System Assembly



2-45 JL300 Water Cooler System Assembly List

S/N	P/N	Description	Qty	Remark
1	5133094100	Water Cooler Machine Down Fix Bracket	2	
2	3201052300	Snap Ring (ALC06M-B)	3	
3	3201052800	Elbow Connector 1/4"-1/4" ATEU0404	1	
4	3201052700	Elbow Connector 8mm-8mm ATEU0808M	1	
5	3201055500	Adapter 1/4"-3/4"	1	
6	2108050200	Water Cooler Machine	1	
7	5404050600	Dual Plug Power Socket	1	
8	5133094000	Water Cooler Machine Up Fix Bracket	1	
9	3311054800	Fly Net	1	

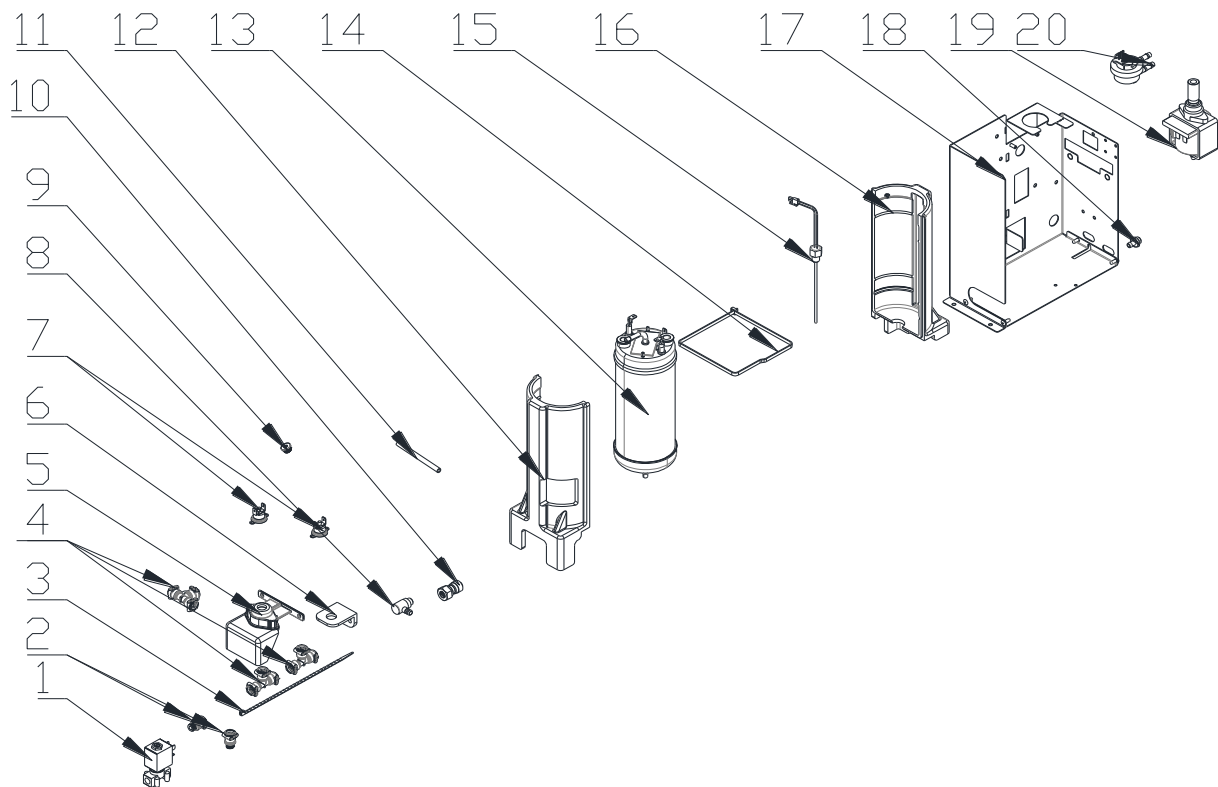
2-50 JL300 Solenoid Valve Assembly(2-3)



2-50 JL300 Solenoid Valve Assembly(2-3) List

S/N	P/N	Description	Qty	Remark
1	5414050100	PTC Heater	1	
2	5122050100	Solenoid Valve Heating Aluminum Bracket	1	
3	5206053100	4x2 O-ring	2	
4	5206053000	6x4 O-ring	2	
5	5115053300	Connector Snap Ring	2	
6	5111101300	Quick Connector D4 G1-8	1	
7	5111101600	Quick Connector D6 G1-8	1	
8	3405050800	Solenoid Valve(2-position 3-way)	1	

2-52 JL300 Water Module (With Cold Water)



2-52 JL300 Water Module (With Cold Water) List

S/N	P/N	Description	Qty	Remark
1	3405050500	ODE Solenoid Valve(2-position 3-way)	1	
2	5111101600	Quick Connector D6 G1-8	2	
3	6304050100	Cable Tie 4X200	10	
4	5111101400	T-Connector D6	3	
5	5111102600	Suspension Bracket Of Piston Pump	1	
6	5126050500	Piston Pump Rubber Bracket	1	
7	5405050500	Temperature Controller	2	
8	3405050600	Overpressure Valve	1	
9	3201052500	End Cap	1	
10	3201051200	Quick Connector D6 G1-8	1	
11	5207050500	Teflon Pipe(4X6)	1	
12	5127050700	DPS Boiler Thermal Insulation Foam(Left)	1	
13	3404050200	Boiler 700CC 230V 2700W	1	
14	6304050700	Cable Tie 5x500	1	
15	5405050600	Temperature Sensor	1	
16	5127050600	DPS Boiler Thermal Insulation Foam(Right)	1	
17	5133090600	JL300 Water Module Bracket	1	
18	3201050700	Plug Nipple D6 G1-8	1	
19	3403054900	Piston Pump	1	
20	3407050100	Flowmeter ODE (AB32-S21P020C-11R)	1	

Copying or forwarding the contents shall be subject to the written permission of JETINNO