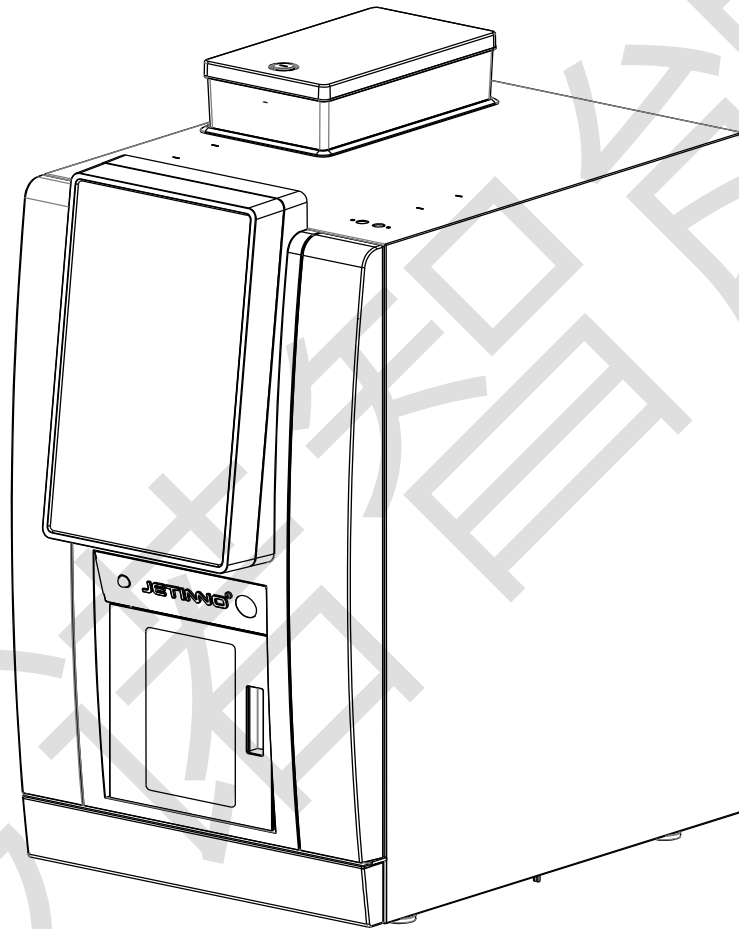
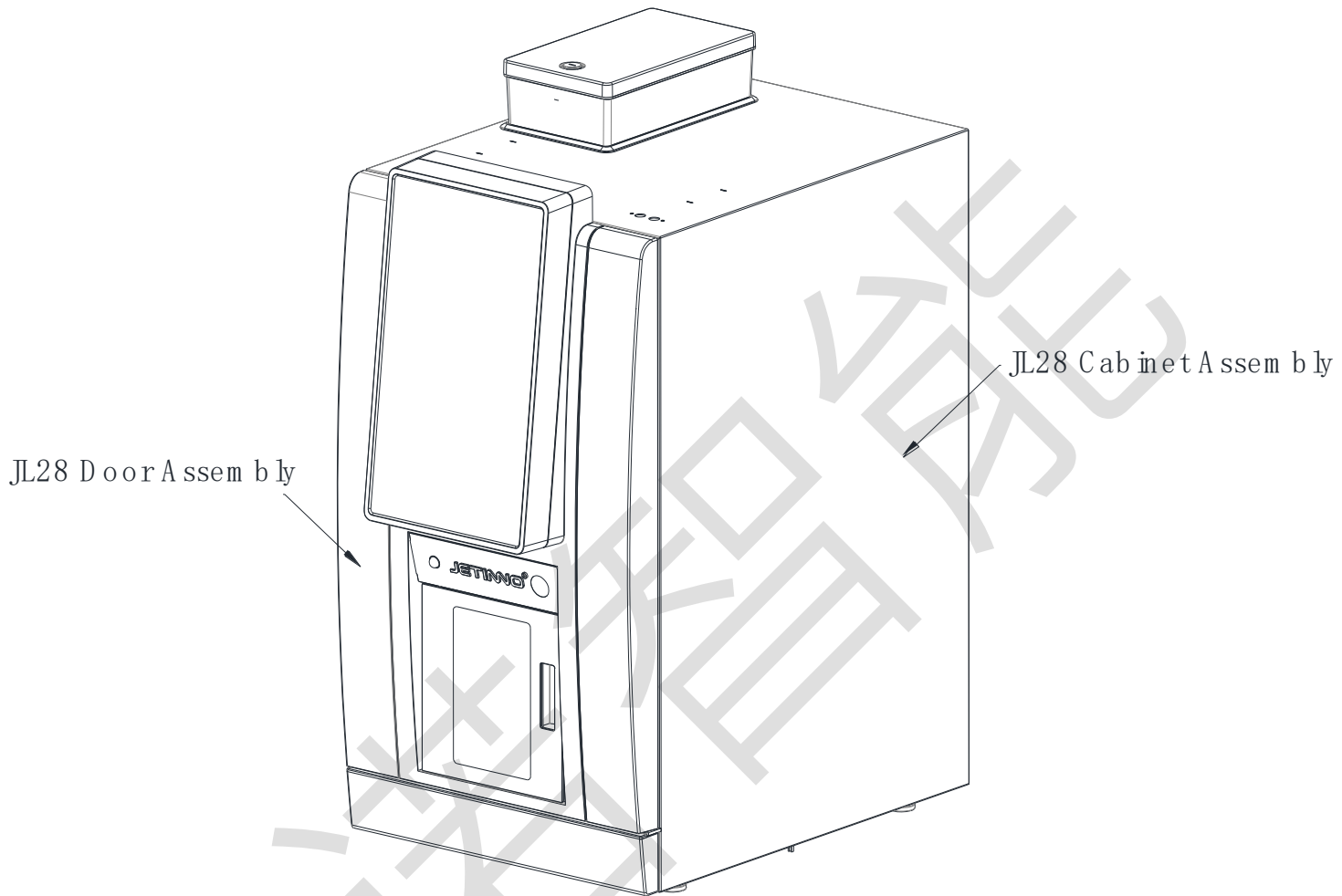


# JL28-ES5C-14-C80 Parts Catalogues



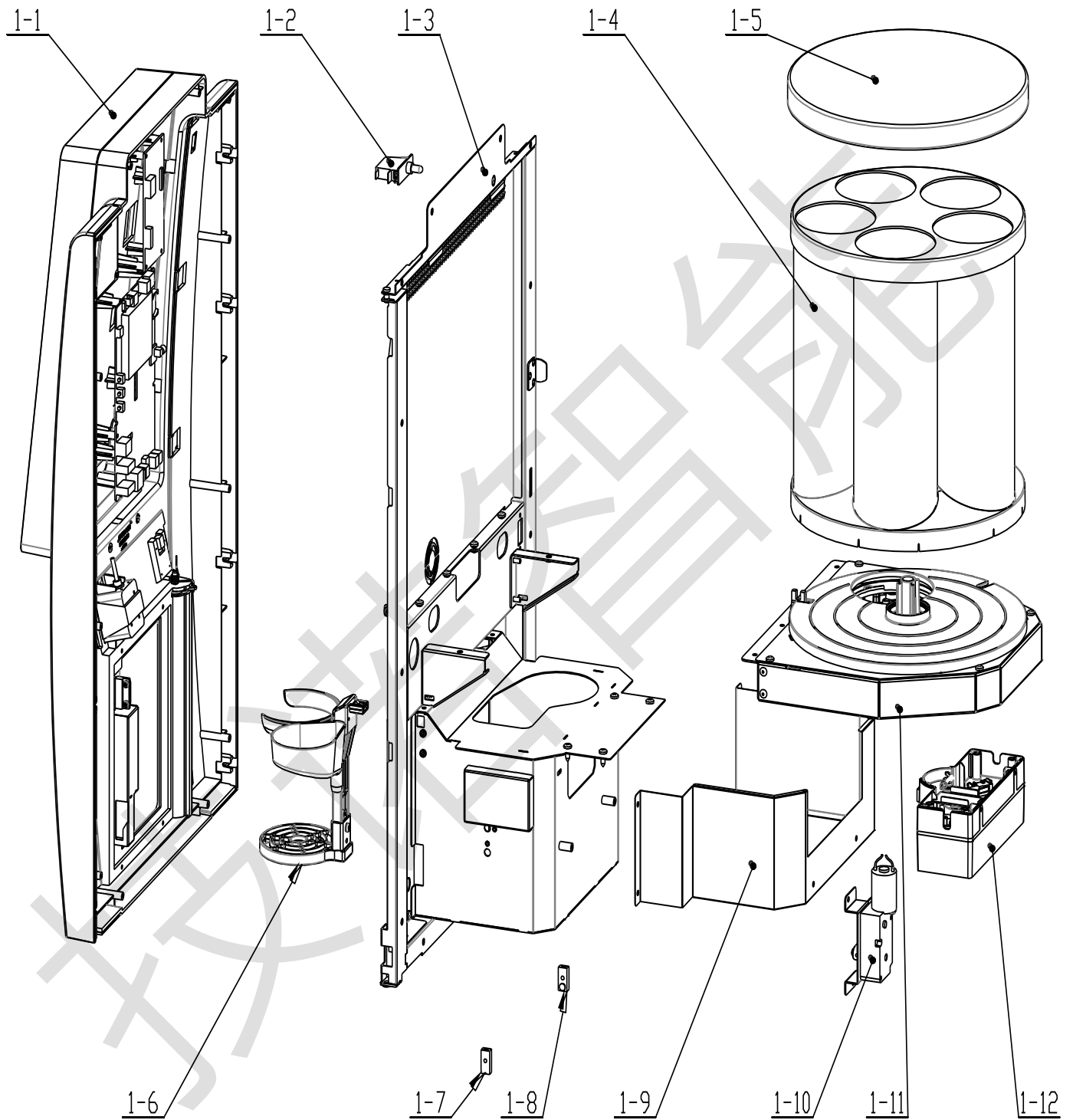
## Document History

Description	Ver.	Date	Amend Record	Name
JL18-BTC3C-P Parts Catalogues	A	2022.06.07	New	Compiled by: Chengqian Zhou Reviewed by: Tony Zhang Approved by: Kevin Yang

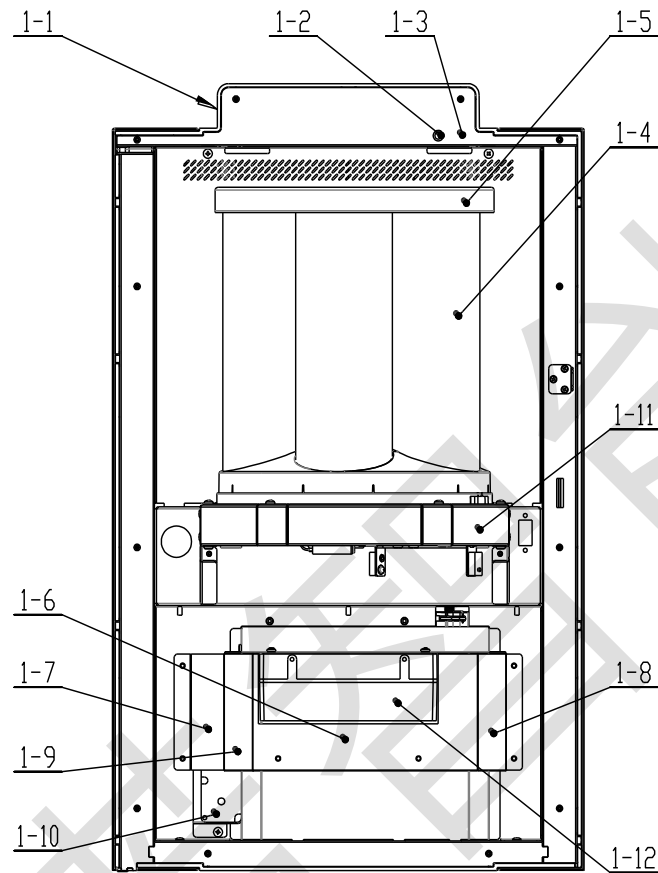


S/N	P/N	Description	Qty	Page number
1-XX	---	JL28 Door Assembly	1	2
2-XX	---	JL28 Cabinet Assembly	1	4

1-XX JL28 Door Assembly



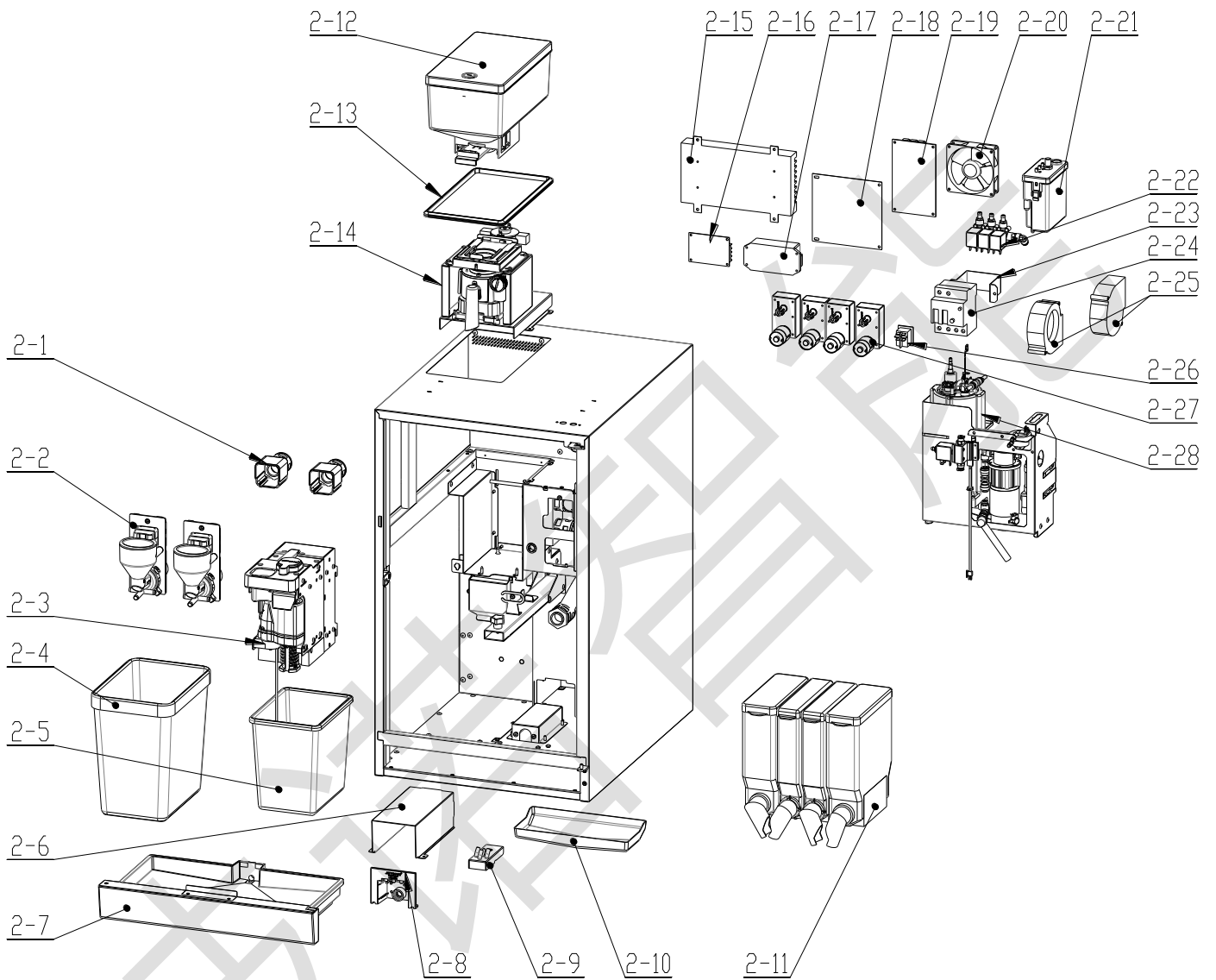
## 1-XX JL28 Door Assembly Position Diagram



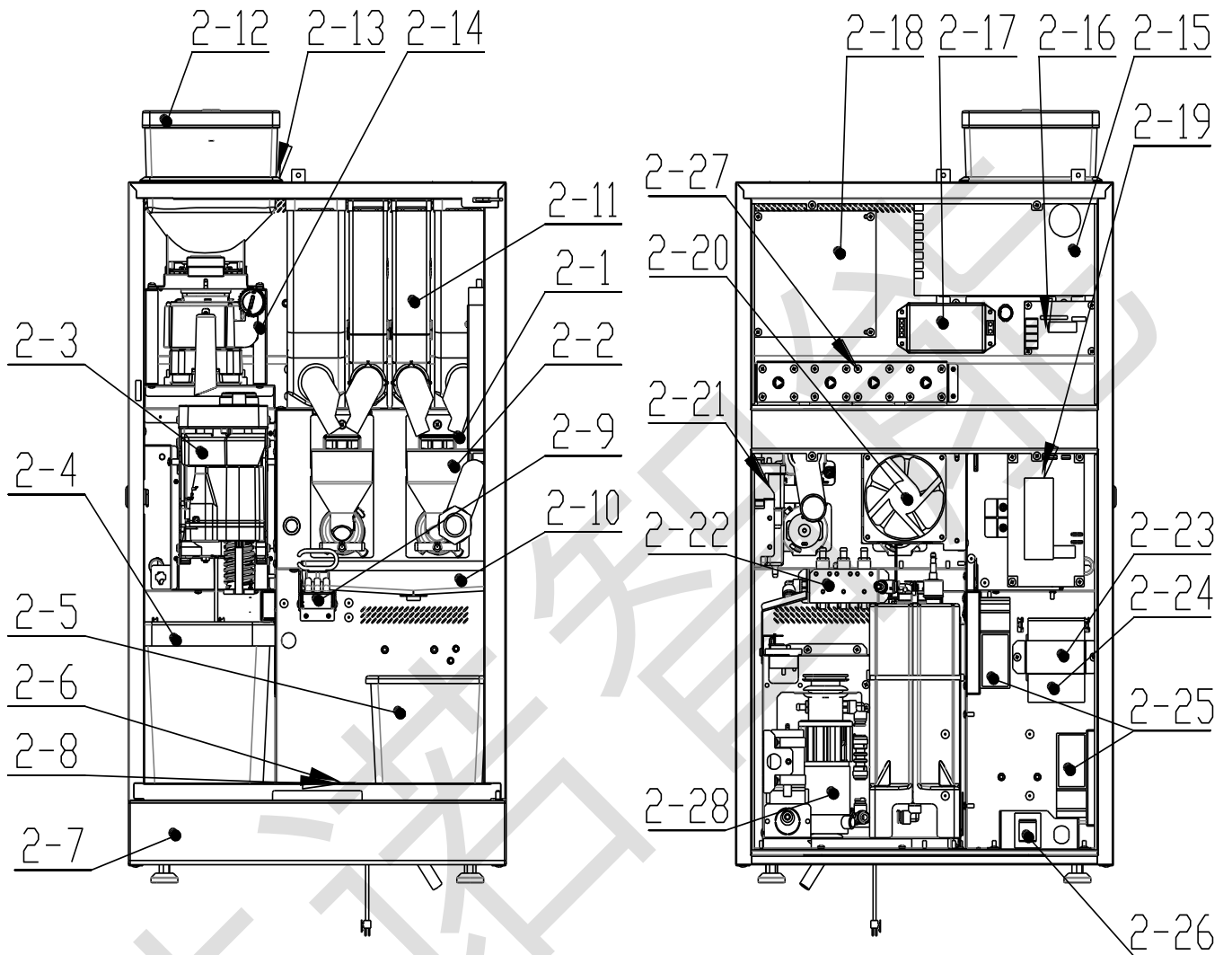
## 1-XX JL28 Door Assembly List

S/N	P/N	Description	Qty	Page Number
1-1	---	Front-Panel Assembly	1	7
1-2	3313050200	Door Switch	1	2
1-3	2302050801	JL28 Door Frame Assembly	1	2
1-4	3121056900	D80 Cup Container Assembly	1	2
1-5	5111085500	JL28 Cup Container Cover	1	2
1-6	3111056100	adjustable Cup Holder Assembly	1	2
1-7	3313062700	Infrared Sensor-Emitter(KB1246)	1	2
1-8	3313062600	Infrared Sensor-Receiver(KB1246)	1	2
1-9	5123100501	Protecting Cable Cover	1	2
1-10	3121055701	Door lock Assembly	1	8
1-11	3121055801	JL28 Cup System Assembly(D80)	1	9
1-12	3111053200	Cup Catcher Driver Assembly(D80)	1	11

2-XX JL28 Cabinet Assembly



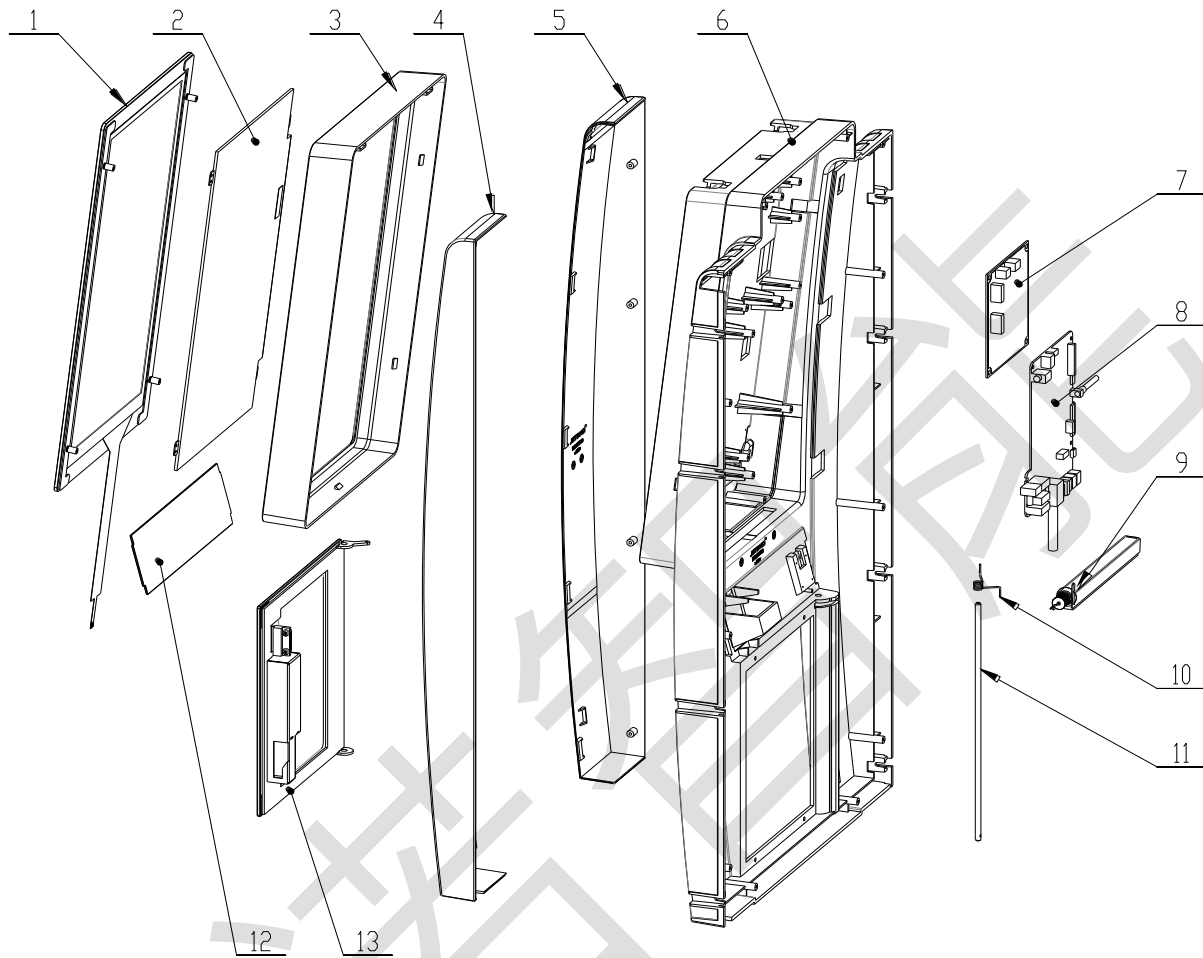
2-XX JL28 Cabinet Assembly Position Diagram(left :Front View;right: Back View)



## 2-XX JL28 Cabinet Assembly List

S/N	P/N	Description	Qty	Page Number
2-1	---	Air Channel cover Assembly	1	12
2-2	3121051400	Mixer (Single Port)	2	4
2-3	---	ES Brewer Assembly	1	13
2-4	5113104100	Waste Bin-6L	1	4
2-5	3122051400	Waste Bin-4L	1	4
2-6	5123102500	Waste Pipe Cover	1	4
2-7	3121056400	Water Drip Plate Assembly	1	4
2-8	3121056300	Water Drip Plate Detecting Assembly	1	14
2-9	5123123500	JL28 Drink Outlet	1	4
2-10	5111086800	JL28 Water Drip Plate	1	4
2-11	---	Instant Container Assembly	1	15
2-12	2104051700	EK7 Coffee Bean Container	1	4
2-13	5126050900	EK7 Coffee Bean Container Sealing Ring	1	4
2-14	3121056100	Grinder & Coffee Bean Container Base Assembly	1	16
2-15	3408050800	Power Supply RSP-200-24	1	4
2-16	3311051900	MILLRECTIFIER V1.0	1	4
2-17	3408051400	Power Supply IRM-60-12ST	1	4
2-18	3311056000	I/OCTRLBOARDV1.0.7	1	4
2-19	3311050400	RELAY_BOARD_V1.4	1	4
2-20	3313053400	Variable Speed Fan	1	4
2-21	3121050500	Air Break Assembly	1	4
2-22	---	Chain Valve Assembly	1	17
2-23	5123100600	Air Switch Bracket	1	4
2-24	5406051800	Air Switch-Chint 25C	1	4
2-25	3313052600	9733 Variable Speed Fan	2	4
2-26	5406050500	Power Switch	1	4
2-27	---	Instant Container Motor Assembly	1	18
2-28	3121056000	Hot Water Module	1	19

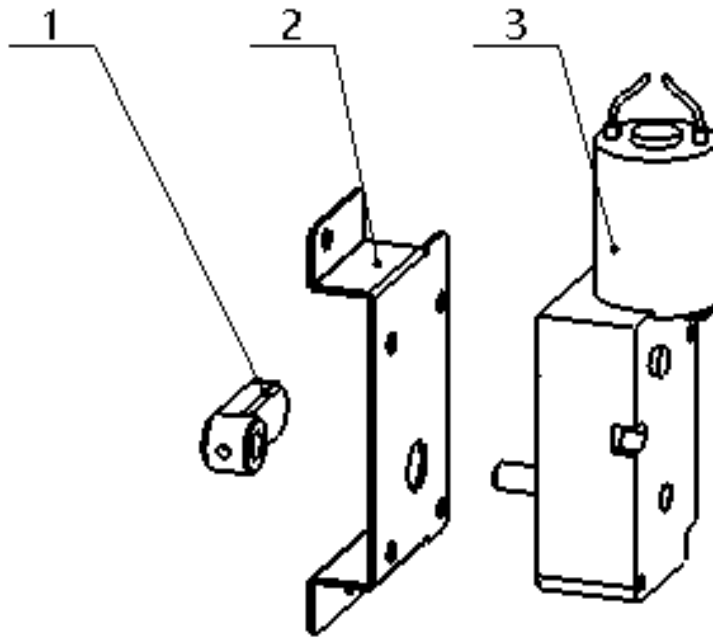
## 1-1 Front-Panel Assembly



## 1-1 Front-Panel Assembly List

S/N	P/N	Description	Qty	Remark
1	3121057200	Touch Screen Assembly	1	
2	5407053400	14-inch Display Module	1	
3	5111078000	Screen Decorative Frame	1	
4	5111077900	Right Decorative Plate	1	
5	5111077800	Left Decorative Plate	1	
6	5111077700	The Façade Panels	1	
7	3311050900	CUP BOARD_V1.3	1	
8	3311058700	A83TS_STUM_V1.2	1	
9	3121055600	Atmosphere Lamp Assembly	1	
10	5125051100	Small Door Right-hand Twist Spring	1	
11	5124051600	Small Door Shaft	1	
12	5119054601	JL28 Decorative Panel	1	
13	3121055500	Small Door Assembly	1	

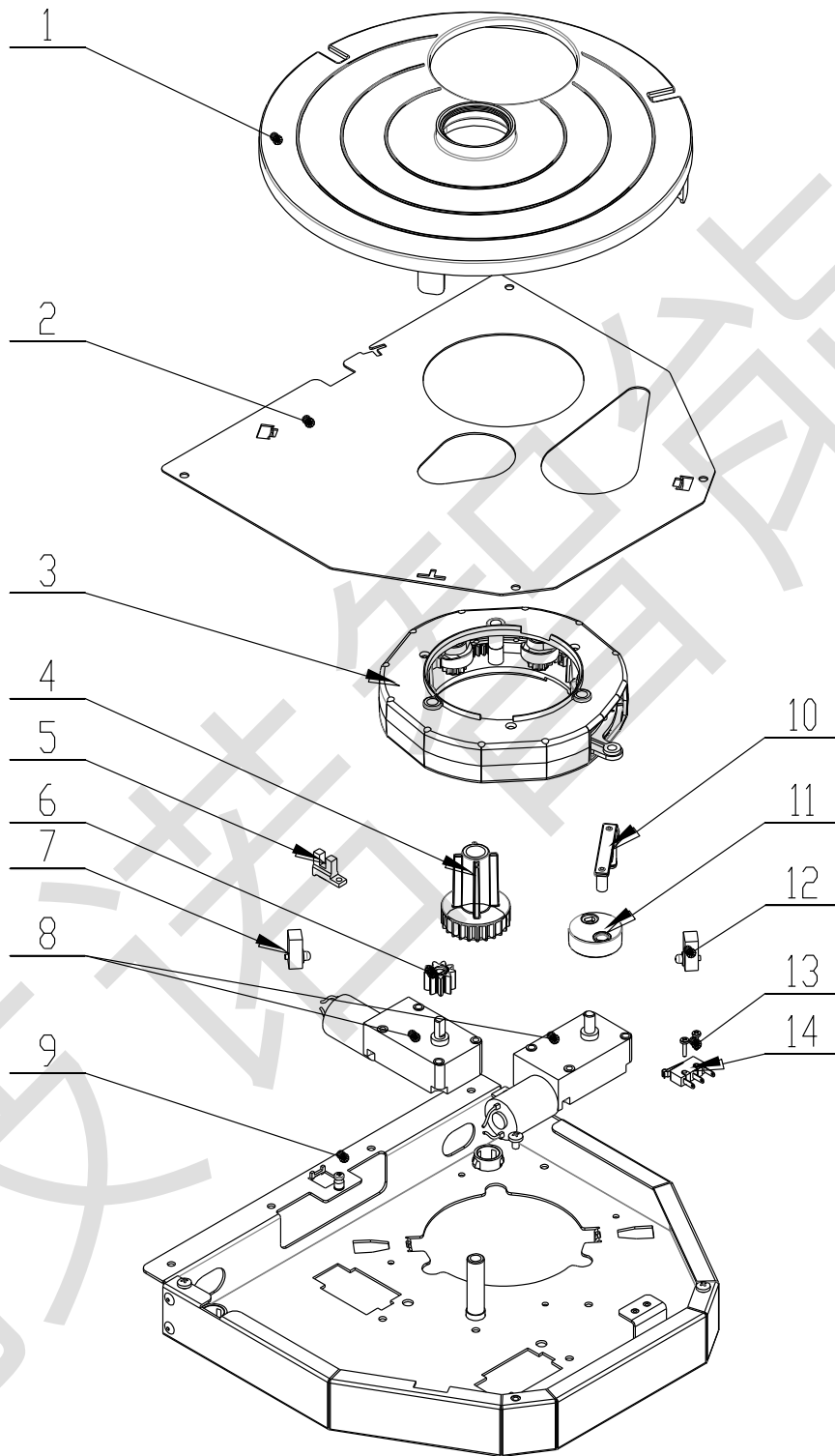
1-10 Door lock Assembly



1-10 Door lock Assembly List

S/N	P/N	Description	Qty	Remark
1	5114052700	Small Door Lock Cam	1	
2	5123101501	Small Door Motor Bracket	1	
3	3401050400	Motor 86132	1	

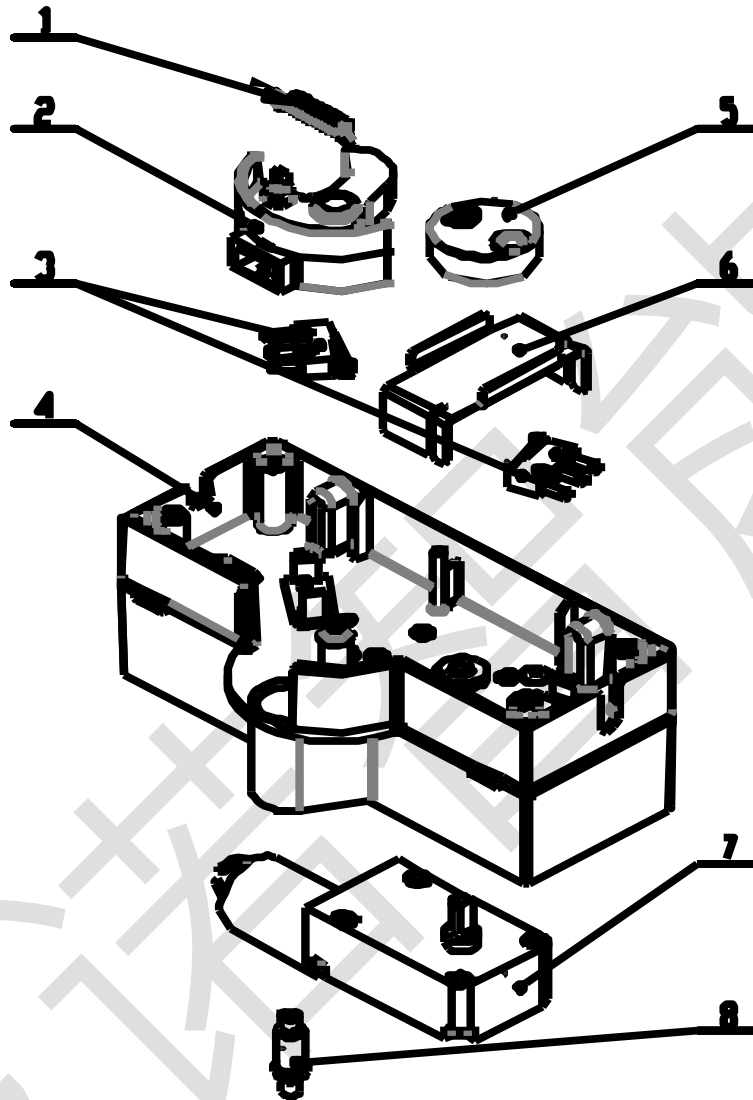
1-11 JL28 Cup System Assembly(D80)



## 1-11 JL28 Cup System Assembly(D80) List

S/N	P/N	Description	Qty	Remark
1	5111053700	Cup Container Base	1	
2	5123101801	Cup Dispenser Cover Plate	1	
3	3111052000	Cup Dispenser Case Assembly	1	
4	5201051100	Cup Container Shaft	1	
5	5405052900	U Type Sensor (KI5651 OJ_4705)	1	
6	5201050300	FB Tea Brewer Driver Gear	1	
7	5405051100	Infrared Sensor-Emitter	1	
8	3401050400	Motor 86132	2	
9	5123101601	Cup Dispenser Housing	1	
10	5121053300	Push Pole For Cup Dispenser	1	
11	5114052800	Cam	1	
12	5405051000	Infrared Sensor-Receiver	1	
13	5301050700	Screw M2X10	2	
14	5402089500	Micro-switch With Wire	1	

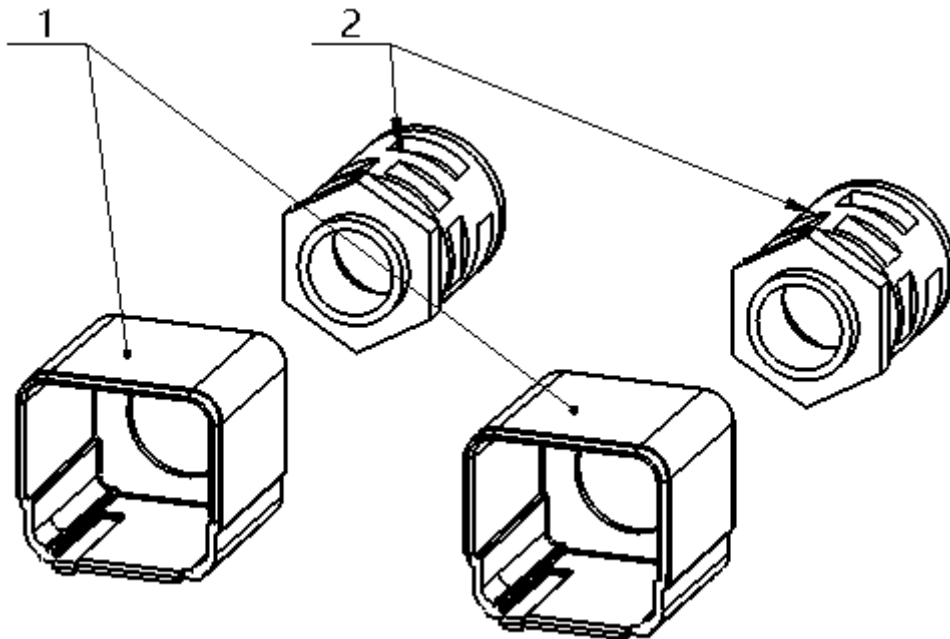
1-12 Cup Catcher Driver Assembly(D80)



1-12 Cup Catcher Driver Assembly(D80) List

S/N	P/N	Description	Qty	Remark
1	5115050500	Spring(0.6X5X32)	1	
2	5111061400	Cup Catcher Driver Block	1	
3	5402089500	Micro-switch With Wire	2	
4	5111061300	Cup Catcher Driver Bracket	1	
5	5114052800	Cam	1	
6	5113115900	Cam Limit Bracket	1	
7	3401050400	Motor 86132	1	
8	5114051700	Cup Catcher Shaft	1	

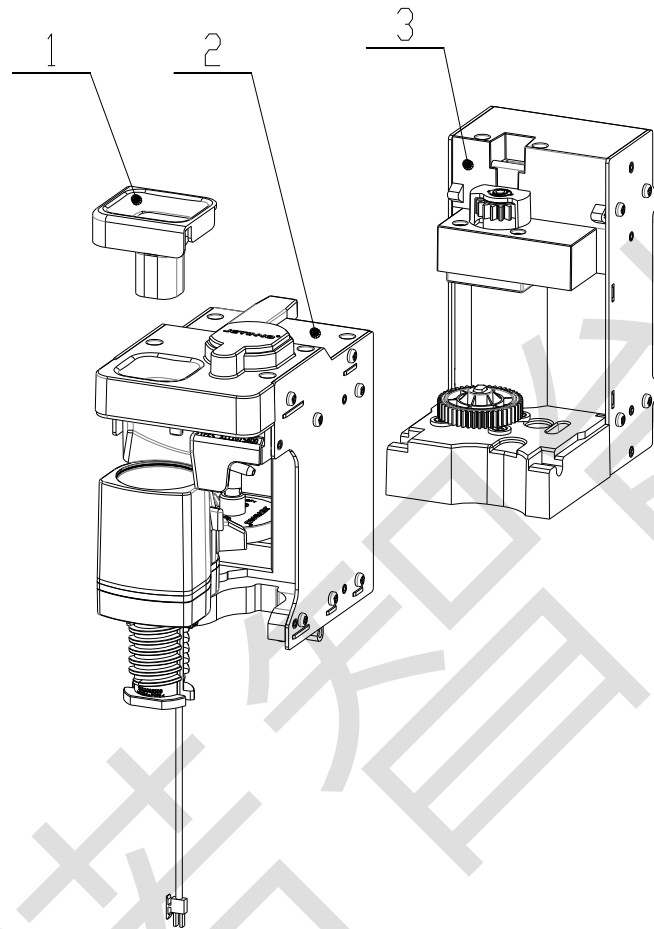
### 2-1 Air Channel cover Assembly



### 2-1 Air Channel cover Assembly List

S/N	P/N	Description	Qty	Remark
1	5111073900	Mixer Air Channel Cover	2	
2	3201050800	Air Channel Adapter(AD28.5-M25)	2	

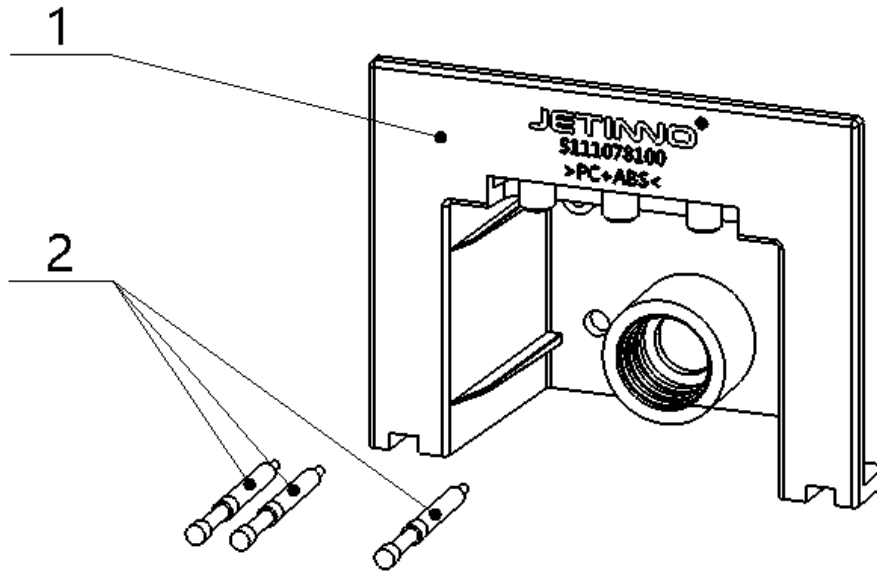
2-3 ES Brewer Assembly



2-3 ES Brewer Assembly List

S/N	P/N	Description	Qty	Remark
1	5111082000	Coffee Powder Funnel	1	
2	3111084000	20g ES Brewer	1	
3	3111087500	ES Brewer Driver Assembly (No PCBA)	1	

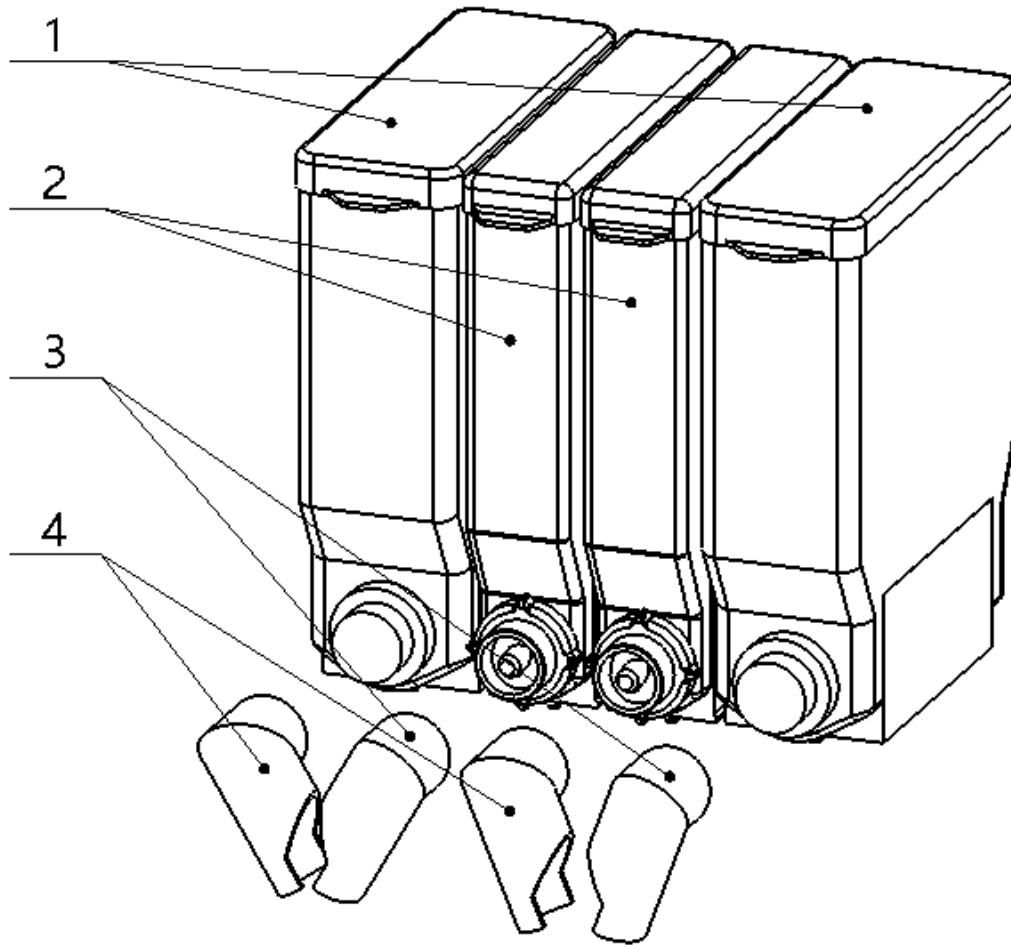
## 2-8 Water Drip Plate Detecting Assembly



### 2-8 Water Drip Plate Detecting Assembly List

S/N	P/N	Description	Qty	Remark
1	5111078100	Water Drip Plate Detecting Bracket	1	
2	5405055200	Detecting Element (PH-5H)	3	

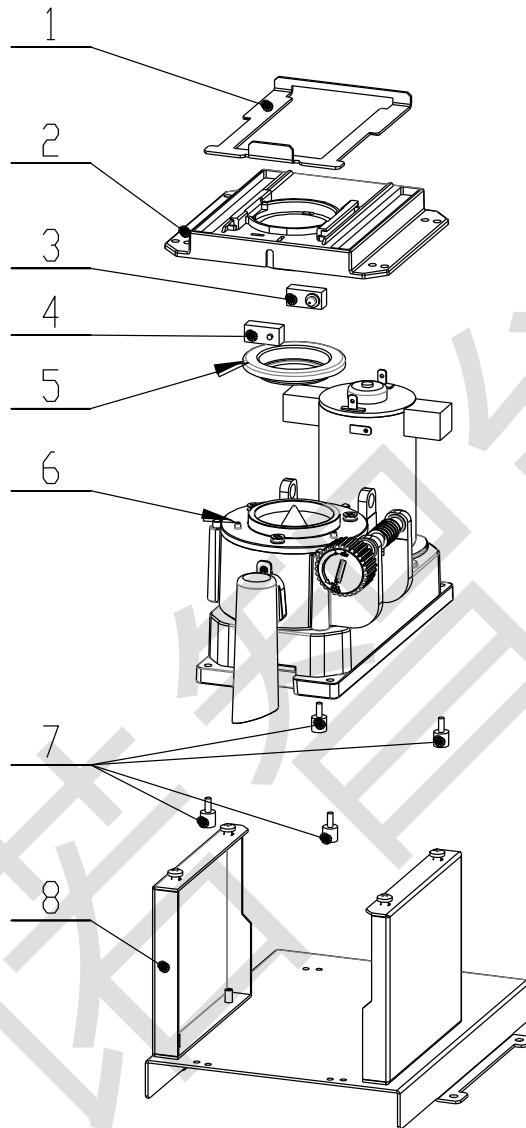
## 2-11 Instant Container Assembly



### 2-11 Instant Container Assembly List

S/N	P/N	Description	Qty	Remark
1	2104050500	Instant Container (W67H220)	2	
2	2104050400	Instant Container (W45H220)	2	
3	5113103800	Instant Container Outlet(Right)	2	
4	5121053700	Instant Container Outlet(Left)	2	

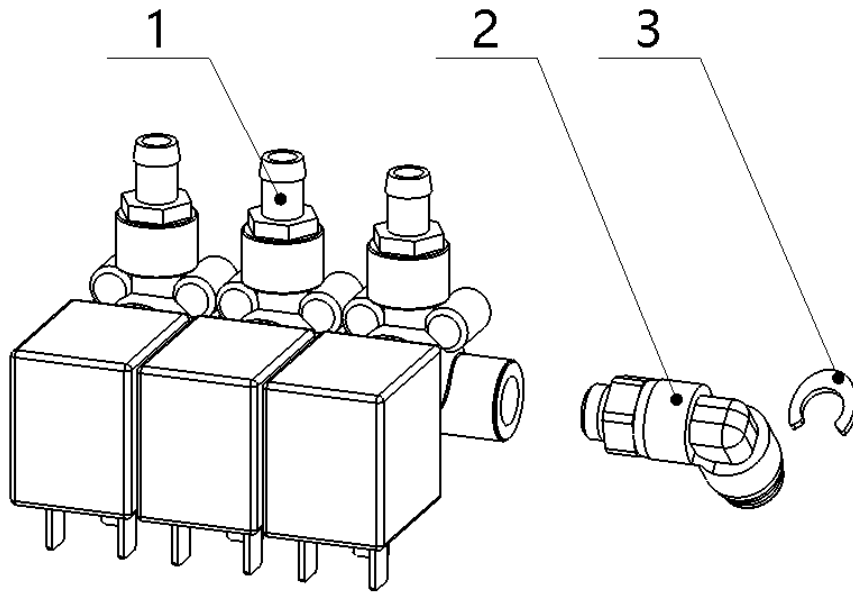
## 2-14 Grinder & Coffee Bean Container Base Assembly



### 2-14 Grinder & Coffee Bean Container Base Assembly List

S/N	P/N	Description	Qty	Remark
1	5123073700	EK7 Coffee Bean Container Lock Plate	1	
2	5111083500	Coffee Bean Container Base	1	
3	5405051100	Infrared Sensor-Emitter	1	
4	5405051000	Infrared Sensor-Receiver	1	
5	5116051900	EK7 Grinder Rubber Ring	1	
6	2103051100	Jetinno Grinder Module (220V)	1	
7	5126051100	Shock Absorption Column (D8H8 M3*8)	4	
8	3122056100	Grinder Supporting Bracket	1	

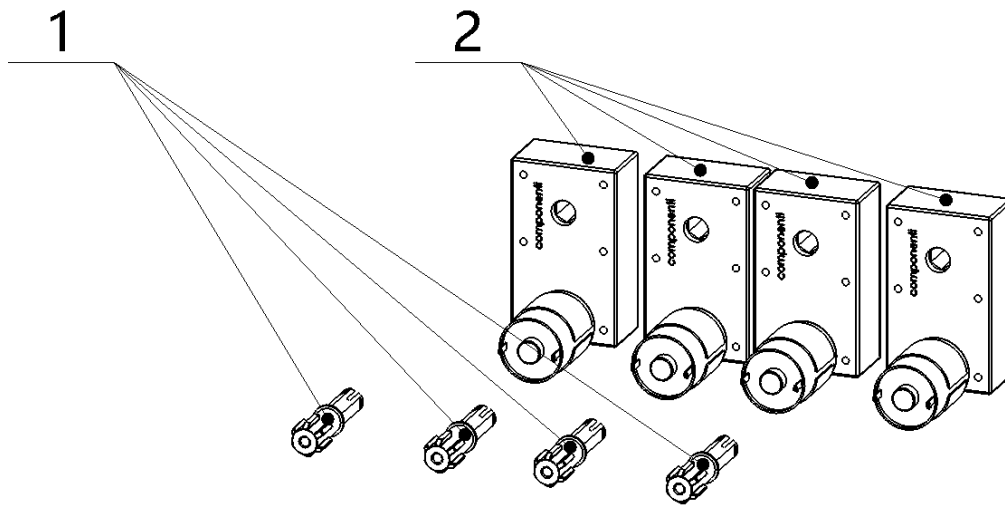
## 2-22 Chain Valve Assembly



## 2-22 Chain Valve Assembly List

S/N	P/N	Description	Qty	Remark
1	3405050300	ODE Chain Valve(23MA2V)	1	
2	3201051500	Elbow Connector D6 G1-8	1	
3	3201052300	Snap Ring (ALC06M-B)	1	

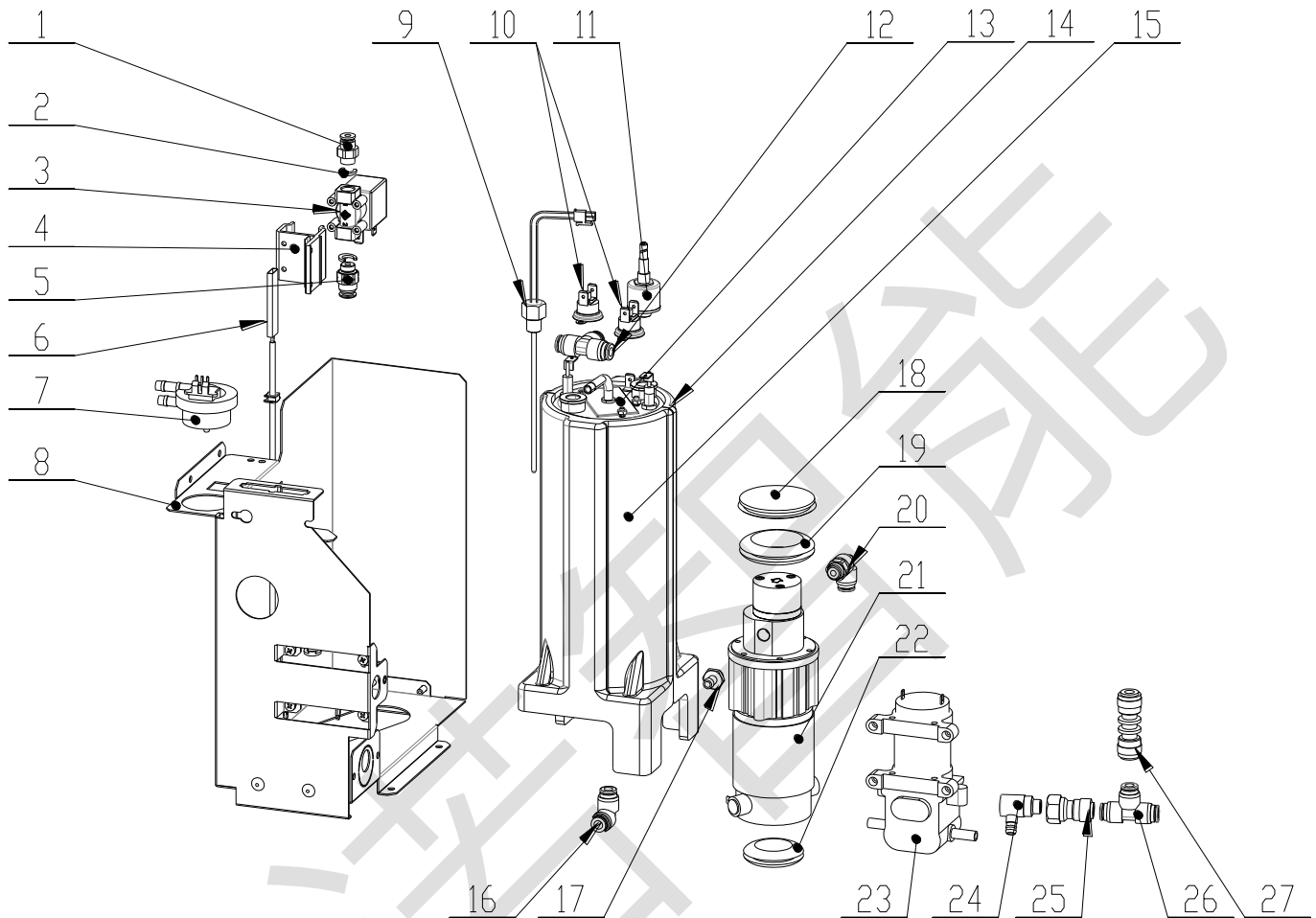
## 2-27 Instant Container Motor Assembly



### 2-27 Instant Container Motor Assembly List

S/N	P/N	Description	Qty	Remark
1	5111061200	Shaft For Instant Container Motor	4	
2	5402090900	Instant Container Motor	4	

## 2-28 Hot Water Module



## 2-28 Hot Water Module List

S/N	P/N	Description	Qty	Remark
1	3201051800	Quick Connector D4 G1-8	1	
2	3201052300	Snap Ring (ALC06M-B)	13	
3	3405050800	Solenoid Valve(2-position 3-way)	1	
4	5122050100	Solenoid Valve Heating Aluminum Bracket	1	
5	3201051700	Quick Connector D6 G1-8(White)	1	
6	5414050100	PTC Heater	1	
7	3407050100	Flowmeter ODE (AB32-S21P020C-11R)	1	
8	5123101900	Hot Water Module Bracket	1	
9	5405050600	Temperature Sensor	1	
10	5405050500	Temperature Controller	2	
11	5405050200	Pressure Sensor	1	

Copying or forwarding the contents shall be subject to the written permission of JETINNO

JL28-ES5C-14-C80 Parts Catalogues

12	3201051400	T-Connector D6 (Hot Water)	1	
13	3404050200	Boiler 700CC 230V 2700W	1	
14	5127050700	DPS Boiler Thermal Insulation Foam(Left)	1	
15	5127050600	DPS Boiler Thermal Insulation Foam(Right)	1	
16	3201051600	Elbow Connector D6 (White)	1	
17	3201050700	Plug Nipple D6 G1-8	1	
18	5126050300	Rubber Insulating Spacer (Top)	1	
19	5126050100	Rubber Insulating Spacer (Middle)	1	
20	3201051500	Elbow Connector D6 G1-8	1	
21	3403050800	Gear Pump	1	
22	5126050200	Rubber Insulating Spacer (Bottom)	1	
23	3313052500	24V Membrane Pump(With Wire & Connector)	1	
24	3405050600	Overpressure Valve	1	
25	3201051200	Quick Connector D6 G1-8	1	
26	3201051300	T-Connector D6 (Cold Water)	1	
27	3405051000	Check Valve	1	