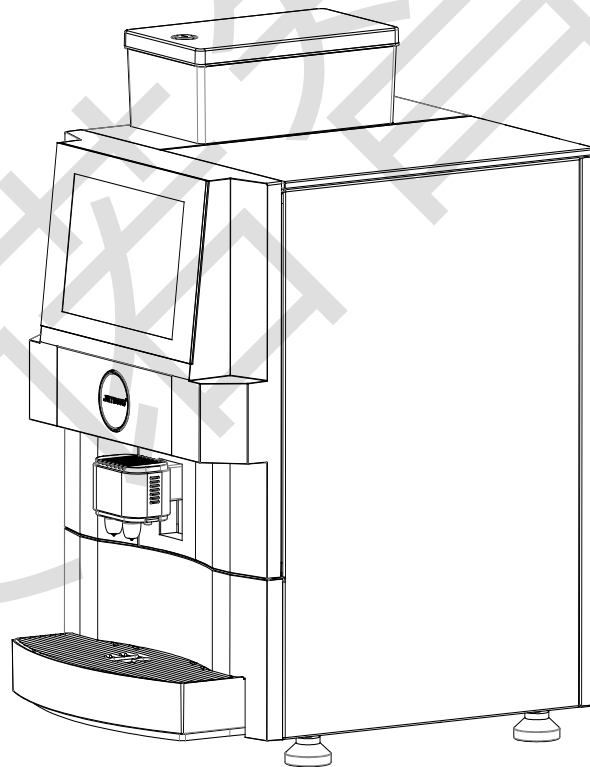
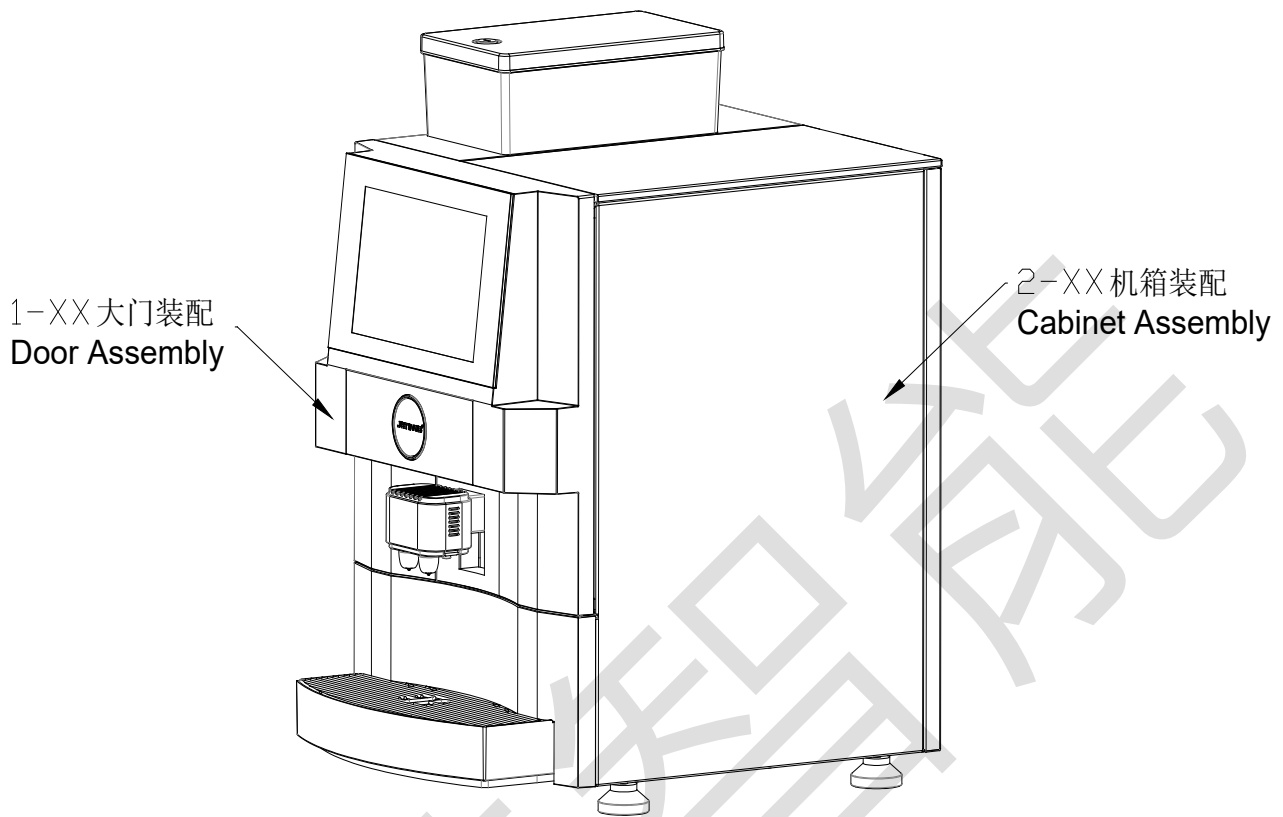


JL22-ES4C 零件手册  
JL22-ES4C Parts Catalogues



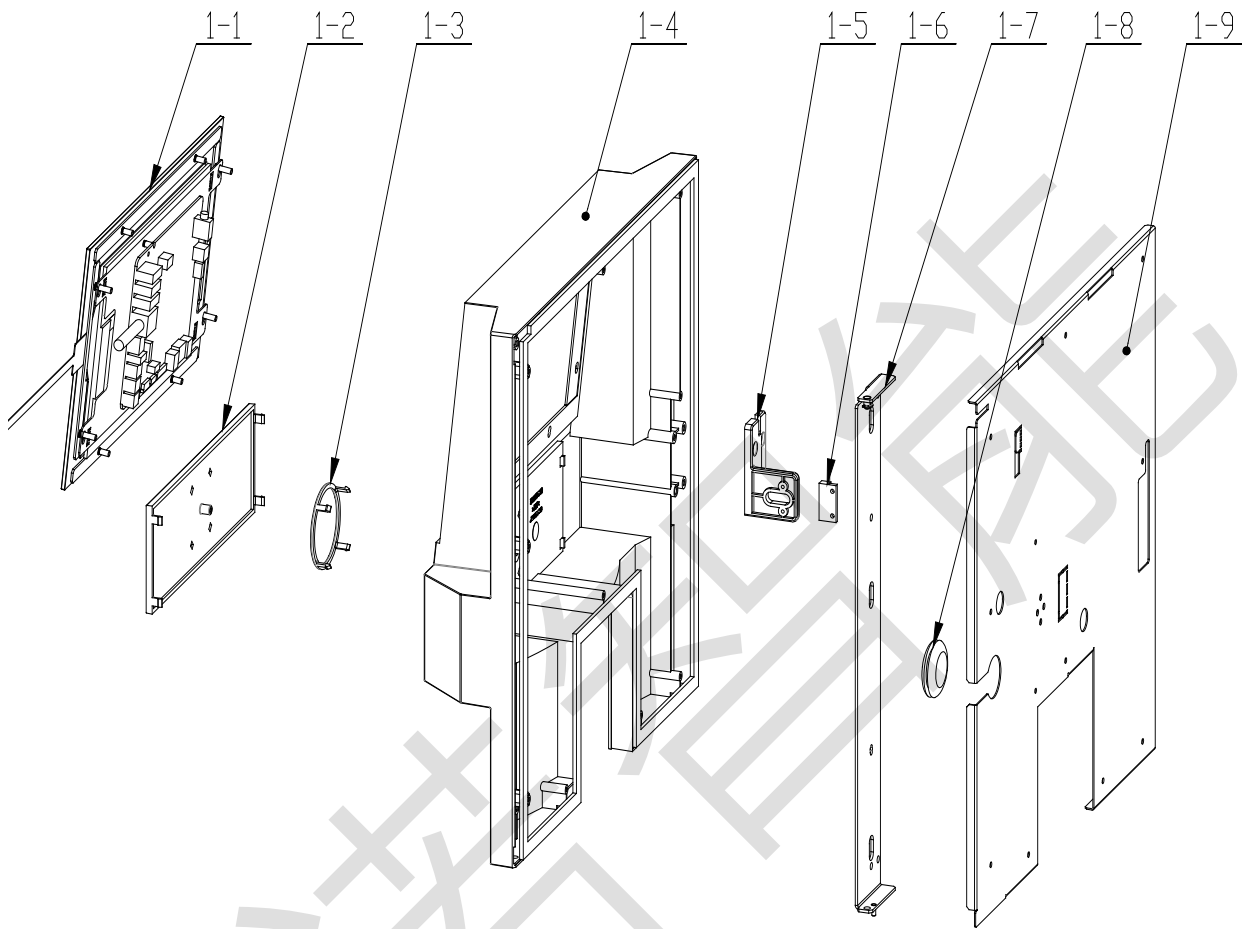
文档历史记录 (Document History)

名称 Description	版本 Version	日期 Date	修改说明 Amend Record	参与人员 Name
JL22-ES4C 零件手册 JL22-ES4C Parts Catalogues	A	2023. 07. 13	新建 New	编写 Editor: 肖碧源 审核 Reviewed by: 周乘仟 批准 Approved by: 杨序贵



编号 S/N	技诺料号 P/N	名称 Description	数量 Qty	页码 Page number
1-XX	----	JL22 大门装配 JL22 Door Assembly	1	3
2-XX	----	JL22 机箱装配 JL22 Cabinet Assembly	1	4

## 1-XX JL22 大门装配爆炸图 (JL22 Door Assembly Parts Catalogues)

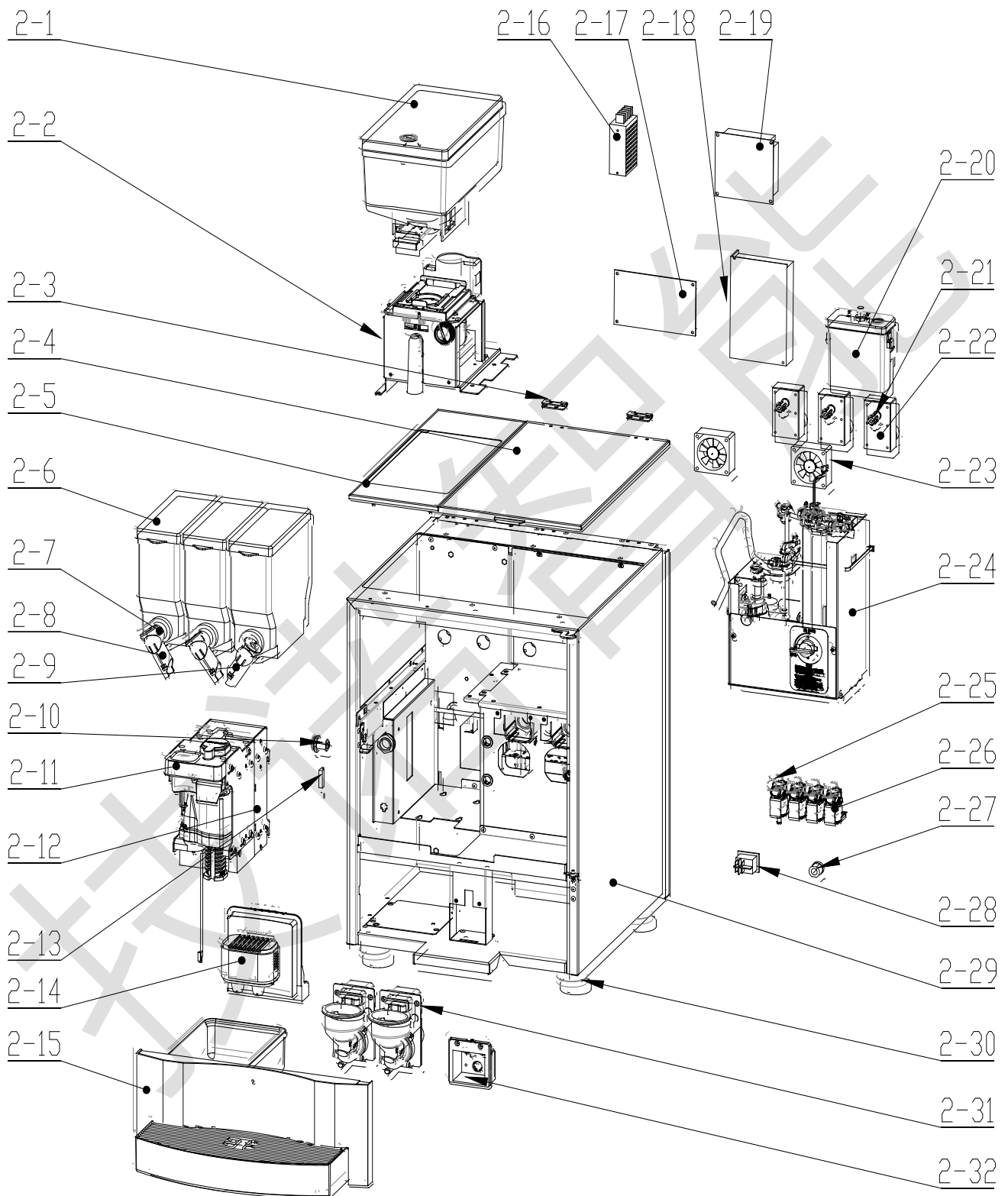


## 1-XX 大门装配清单 (JL22 Door Assembly List)

编号 S/N	技诺料号 P/N	名称 Description	数量 Qty	页码 Page number
1-1	3111123800	JL22 触摸屏组件 Touch Screen Assembly	1	7
1-2	5111065000	大门装饰板 Door Decorative Panel	1	3
1-3	5111065100	装饰环 Door Decorative Ring	1	3
1-4	5111064800	大门框 Door Frame	1	3
1-5	5111064900	门传感器固定架 Door Sensor Bracket	1	3
1-6	5305051300	黑色门磁 (与干簧管配套) Door Magnet	1	2
1-7	5133130100	JL22 门轴钣金 Door Shaft Supporting Bracket	1	3
1-8	5126050200	橡胶绝缘圈内径 25 Rubber Insulating Spacer	1	3
1-9	5133129400	JL22 大门背板 Door Back Cover	1	3

Copying or forwarding the contents shall be subject to the written permission of JETINNO

2-XX JL22 机箱装配爆炸图 (JL22 Cabinet Assembly Parts Catalogues)



## 2-XX JL22 机箱装配清单 (JL22 Cabinet Assembly List)

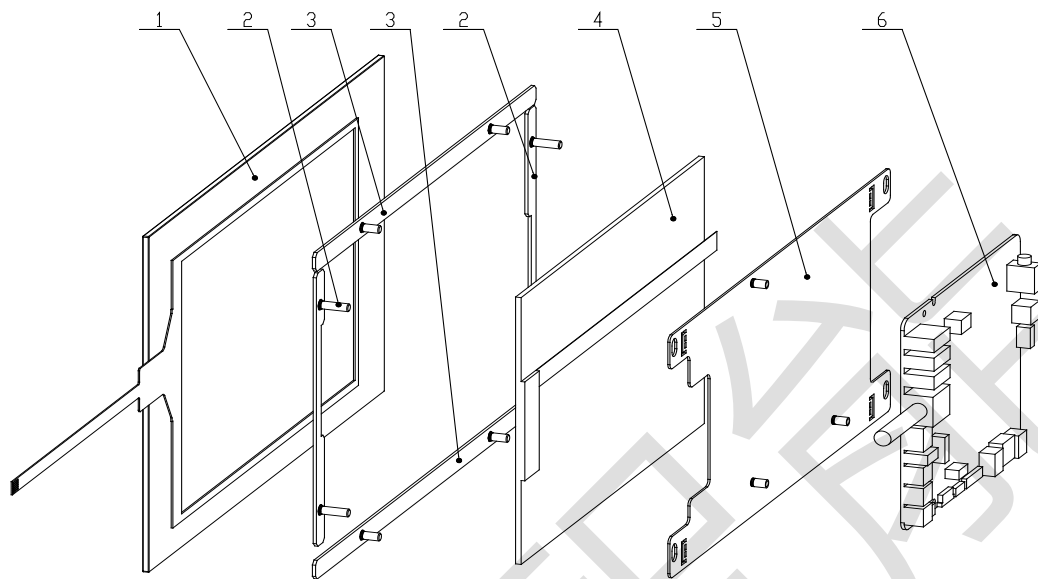
编号 S/N	技诺料号 P/N	名称 Description	数量 Qty	页码 Page number
2-1	2104051700	EK7 咖啡豆盒组件 EK7 Coffee Bean Container	1	4
2-2	3111123700	JL22 研磨器加豆盒底座组件 Grinder & Bean Container Base	1	8
2-3	3205053000	110 度限位合页 110° Hinge	2	4
2-4	5133123814	JL22 翻转顶盖 (ES) Flip Cover (ES)	1	4
2-5	5133128814	豆盒口遮挡钣金 Cover Sheet Of Bean Container	1	4
2-6	2104051800	意康料盒 (W78H185) Instant Container (W78H185)	3	4
2-7	5111305600	抽拉式出粉嘴端盖 Outlet fixed cover	3	4
2-8	5111305800	抽拉式左出粉嘴 Instant Container Outlet (Left)	2	4
2-9	5111305700	抽拉式右出粉嘴 Instant Container Outlet (Right)	1	4
2-10	3202051000	生久圆柱锁 MS809 Door Lock	1	4
2-11	YF10057990	14G 酿造器主体 (无加热块) 14g ES Brewer	1	4
2-12	3111087500	酿造器驱动模块 (不带驱动 PCBA) 14g ES Brewer Driver Assembly	1	4
2-13	5403050100	干簧管长闭型 ORT551 (不带磁铁) Reed Switch ORT551	1	4
2-14	3121054000	出水嘴模组 Drink Outlet Assembly	1	10
2-15	3121054200	废水盘模组 Water Drip Plate	1	12
2-16	3408050100	12V 电源 RS2512 12V Power Supply	1	4
2-17	3311050400	RELAY_BOARD 电路板 Relay Board	1	4
2-18	3408051900	LRS-150-24 电源模块 24V Power Supply	1	4
2-19	3311060700	I/O Simply_Board_V1.0 I/O Control Board	1	4

Copying or forwarding the contents shall be subject to the written permission of JETINNO

JL22-ES4C 零件手册 (Parts Catalogues)

2-20	3121050500	储水箱体组件 Water Tank	1	4
2-21	5111061200	料盒电机转轴 Shaft For Instant Container Motor	3	4
2-22	5402090900	料盒电机 (带端子和线) Instant Container Motor	3	4
2-23	3402051600	24V 调速风扇 24V Fan	2	4
2-24	2107054100	JL22ES 水路模组 Hot Water Assembly (ES)	1	13
2-25	YF10057574	GMEHK 低压两位三通阀 2P3W Valve	1	4
2-26	YF10057573	GMEHK 低压两位两通阀 2P2W Valve	3	4
2-27	5111059900	电源线扣 7N-2 Power Cord Clip	1	4
2-28	5406100400	电源开关(带透明防水盖) Power Switch	1	4
2-29	3112221200	JL22 机箱钣金组件 Metal Cabinet Assembly	1	4
2-30	3204050200	台式机地脚 M8x15 Foot M8x15	4	4
2-31	YF10057696	JL22 搅拌器组件 Mixer Assembly	2	16
2-32	3121052700	滴水盘探测组件 Water Drip Plate Detecting Assembly	1	18

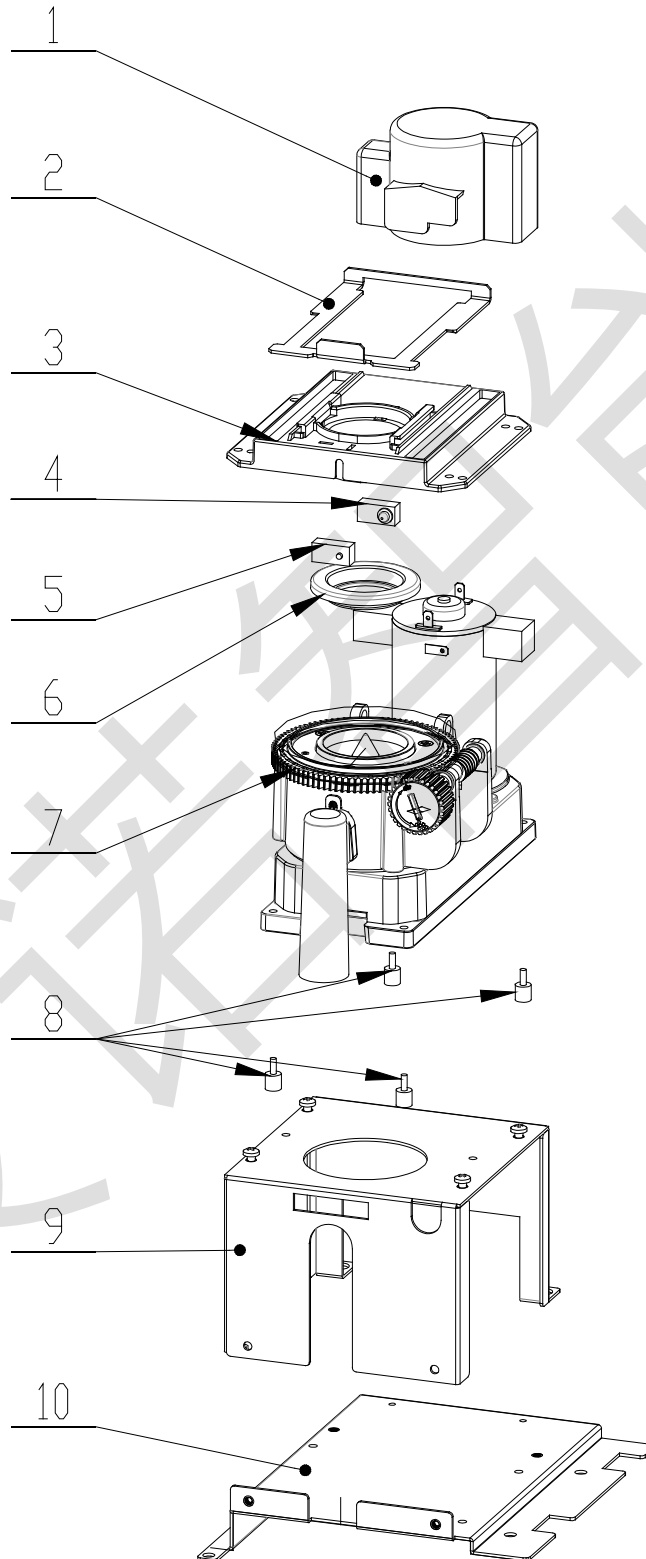
1-1 爆炸图 (Parts Catalogues)



1-1 清单 (List)

编号 S/N	技诺料号 P/N	名称 Description	数量 Qty	备注 Remark
1	3406055401	JL22 触摸屏 (配 MIPI 显示屏) Touch Screen	1	电子件 Electronic parts
2	5123079000	玻璃固定片 2 Glass fixed Metal 2	2	钣金件 Metal parts
3	5123078900	玻璃固定片 1 Glass fixed Metal 1	2	钣金件 Metal parts
4	3409100500	10.1 寸显示屏_MIPI (D31) Display Screen	1	电子件 Electronic parts
5	5133129200	PCBA 支撑钣金 PCBA fixed Metal	1	钣金件 Metal parts
6	YF60003842	A83Mipi 工控板 A83Mipi Main Control Board	1	电路板 PCB

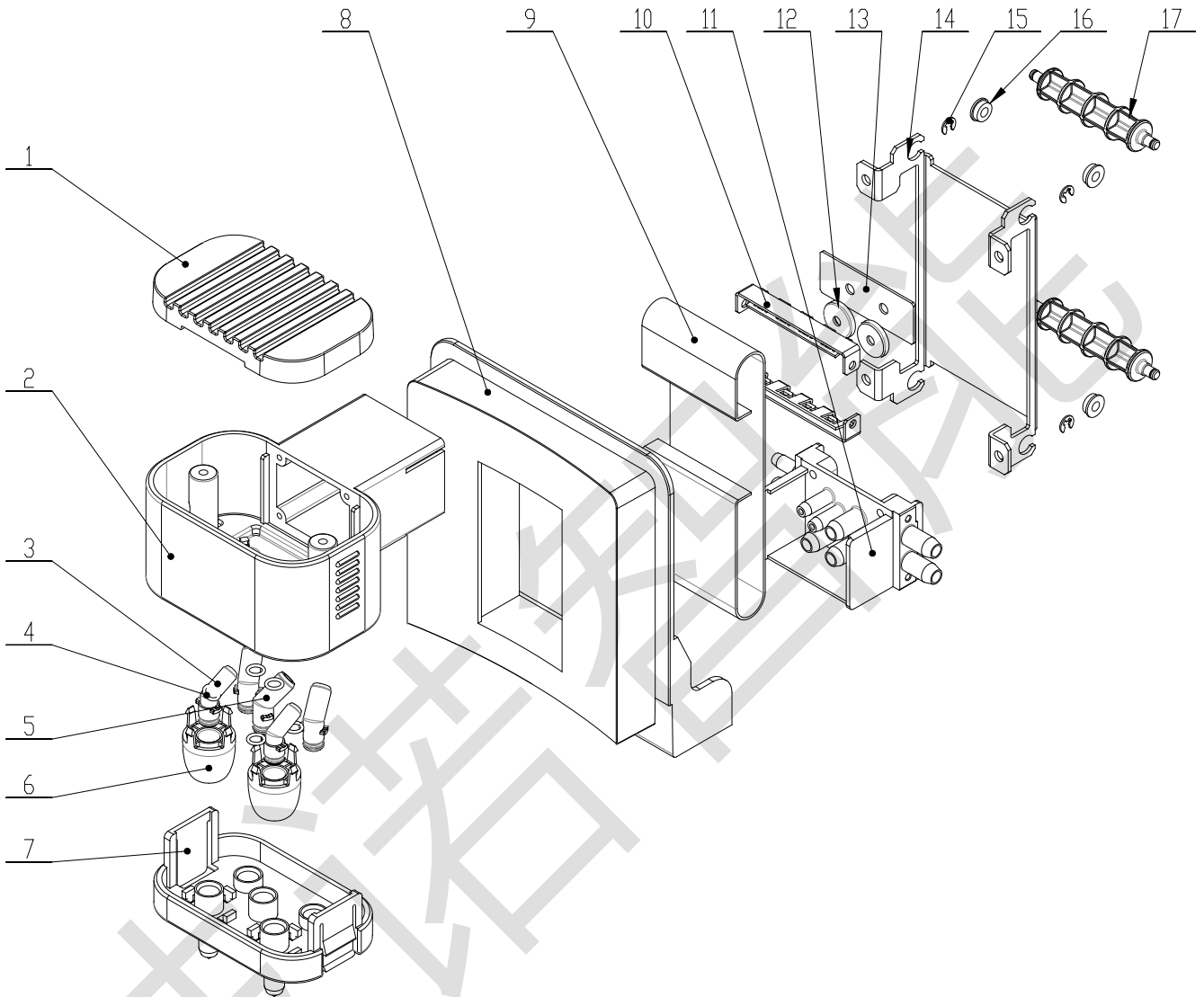
2-2 爆炸图 (Parts Catalogues)



2-2 清单 (List)

编号 S/N	技诺料号 P/N	名称 Description	数量 Qty	备注 Remark
1	5116055200	研磨器电机罩 Grinder Motor Cover	1	塑料件 Plastic parts
2	5123073700	EK7 咖啡豆盒底部锁片 Bean Container Lock Plate	1	钣金件 Metal parts
3	5111083500	JN01 咖啡豆盒底座 Coffee Bean Container Base	1	塑料件 Plastic parts
4	5405051100	红外发射传感器 (带线和端子) Infrared Sensor-Emitter	1	电子件 Electronic parts
5	5405051000	红外接收传感器 (带线和端子) Infrared Sensor-Receiver	1	电子件 Electronic parts
6	5116051900	EK7 研磨器顶部橡胶圈 EK7 Grinder Rubber Ring	1	塑料件 Plastic parts
7	2103051100	220V 自研研磨器模组 (标准) Jetinno Grinder Module (220V)	1	模组 Module
8	5126051100	橡胶螺栓 D8H8 M3*8 Shock Absorption Column (M3*8)	4	标准件 Standard parts
9	5133133600	豆盒底座支架 Bean Container Base Bracket	1	钣金件 Metal parts
10	5133128000	JL22 研磨器固定钣金 Grinder fixed Bracket	1	钣金件 Metal parts

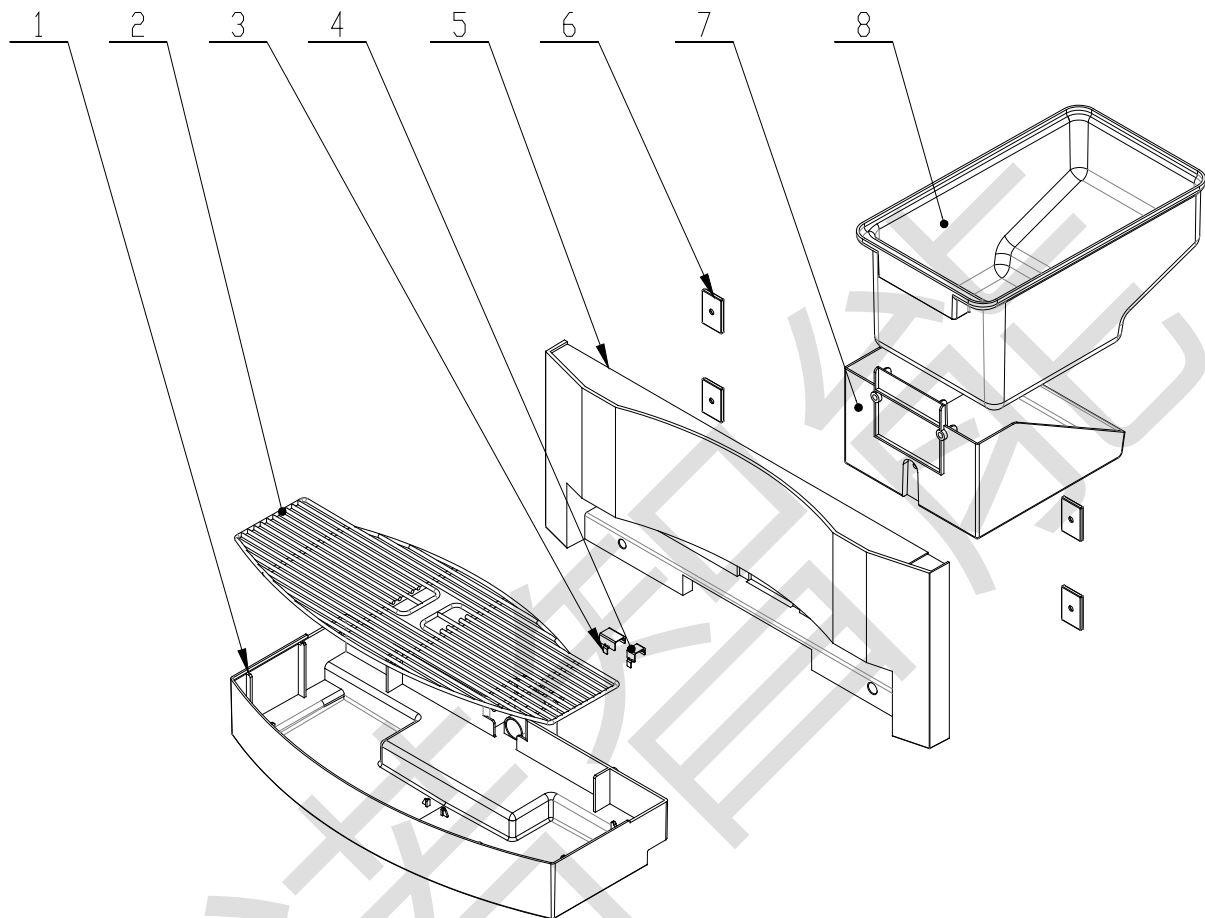
2-14 爆炸图 (Parts Catalogues)



2-14 清单 (List)

编号 S/N	技诺料号 P/N	名称 Description	数量 Qty	备注 Remark
1	5121056600	出嘴装饰盖 Drink Spout Cover	1	塑料件 Plastic parts
2	5121056800	出嘴主体 Drink Spout Main Body	1	塑料件 Plastic parts
3	5121055400	台机小出嘴 Small Nozzle	2	塑料件 Plastic parts
4	5206050200	O 型圈_5x1.2 O-shaped sealing ring 5x1.2	5	密封圈 Seal ring
5	5121055300	台机大出嘴 Big Nozzle	3	塑料件 Plastic parts
6	5121056700	咖啡嘴套 Coffee Spout Sleeve	1	塑料件 Plastic parts
7	5121056500	可拆出水嘴 Detachable Drink Spout	1	塑料件 Plastic parts
8	5121056400	出水嘴固定板 Drink Spout Fixing Bracket	1	塑料件 Plastic parts
9	6304051200	尼龙织带_W50 Nylon Ribbon (W50)	1	塑料件 Plastic parts
10	5123079200	皮带固定片_D Belt Fixing Plate	2	钣金件 Metal parts
11	5121056900	出嘴转接头 Drink Spout Connector	1	塑料件 Plastic parts
12	5205050800	M4 沉孔磁铁 Magnet With M4 Sink Hole	1	磁铁 Magnet
13	5123079500	导磁板 Concentrating Flux Plate	1	钣金件 Metal parts
14	5123079300	出水嘴滑动固定板_D Drink Spout Sliding Bracket	1	钣金件 Metal parts
15	5306050700	E 型弹性挡圈 3 E-type circlip 3	4	标准件 Standard parts
16	5308050200	轴承 MRF84-ZZ Bearing MRF84-ZZ	4	轴承 Bearing
17	5121057000	皮带滚轴 Belt Roller	2	塑料件 Plastic parts

2-15 爆炸图 (Parts Catalogues)

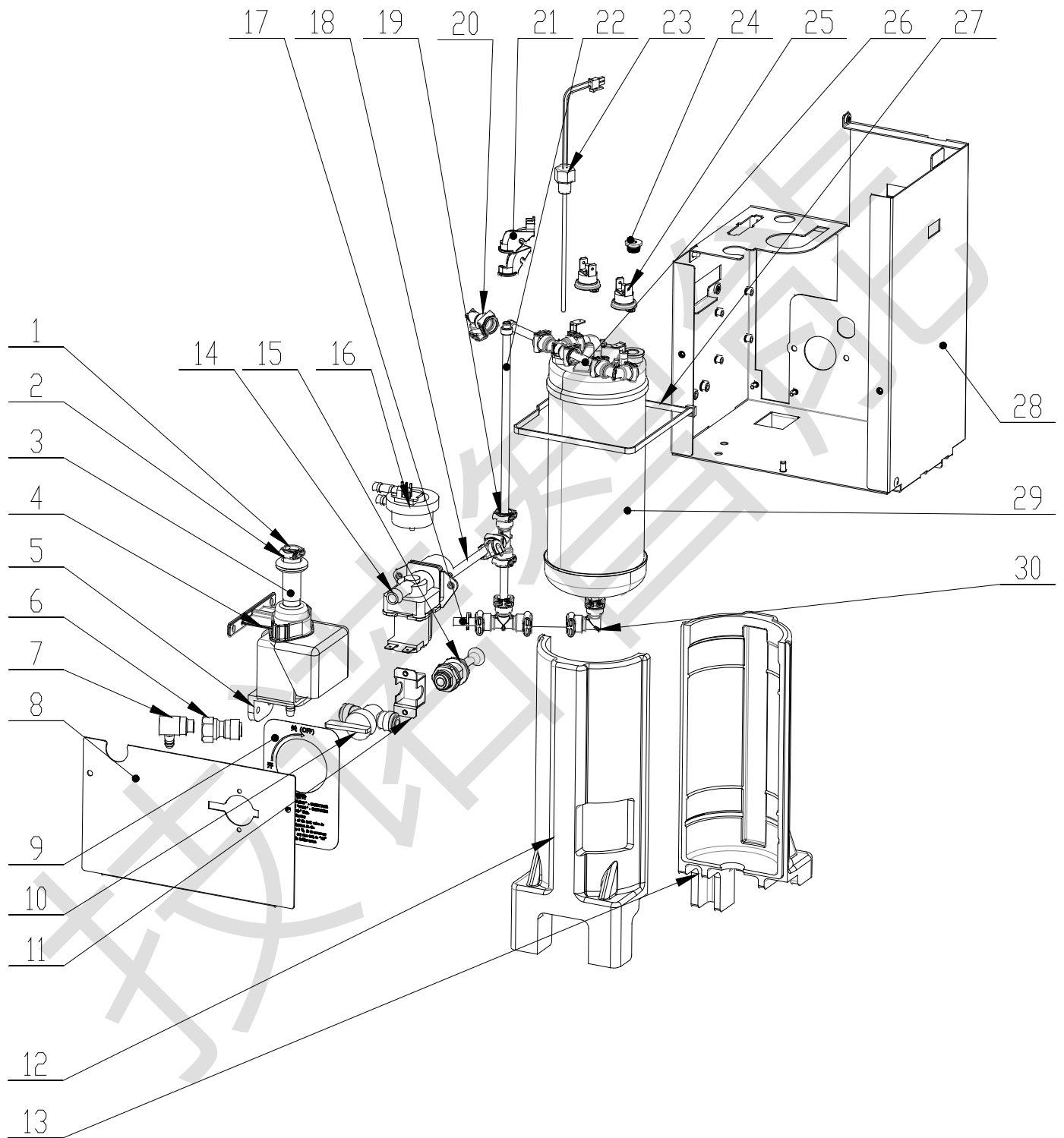


2-15 清单 (List)

编号 S/N	技诺料号 P/N	名称 Description	数量 Qty	备注 Remark
1	5121055800	滴水盘 Water Drip Plate	1	塑料件 Plastic parts
2	5125050700	滴水盘钢丝盖 Water Drip Plate Cover	1	机加件 Machined parts
3	5123080800	滴水盘探测片 2 Water Drip Plate Detecting Pin 2	1	钣金件 Metal parts
4	5123075900	滴水盘探测片 Water Drip Plate Detecting Pin	1	钣金件 Metal parts
5	5121056000	下部门盖 Lower Door	1	塑料件 Plastic parts
6	5205050900	M4 孔方形磁铁 30x20x3 Magnet With M4 Sink Hole 30x20x3	4	磁铁 Magnet
7	5121056100	废渣盒固定架 Waste Bin Bracket	1	塑料件 Plastic parts
8	5121055700	废渣盒 Waste Bin	1	塑料件 Plastic parts

Copying or forwarding the contents shall be subject to the written permission of JETINNO

2-24 爆炸图 (Parts Catalogues)



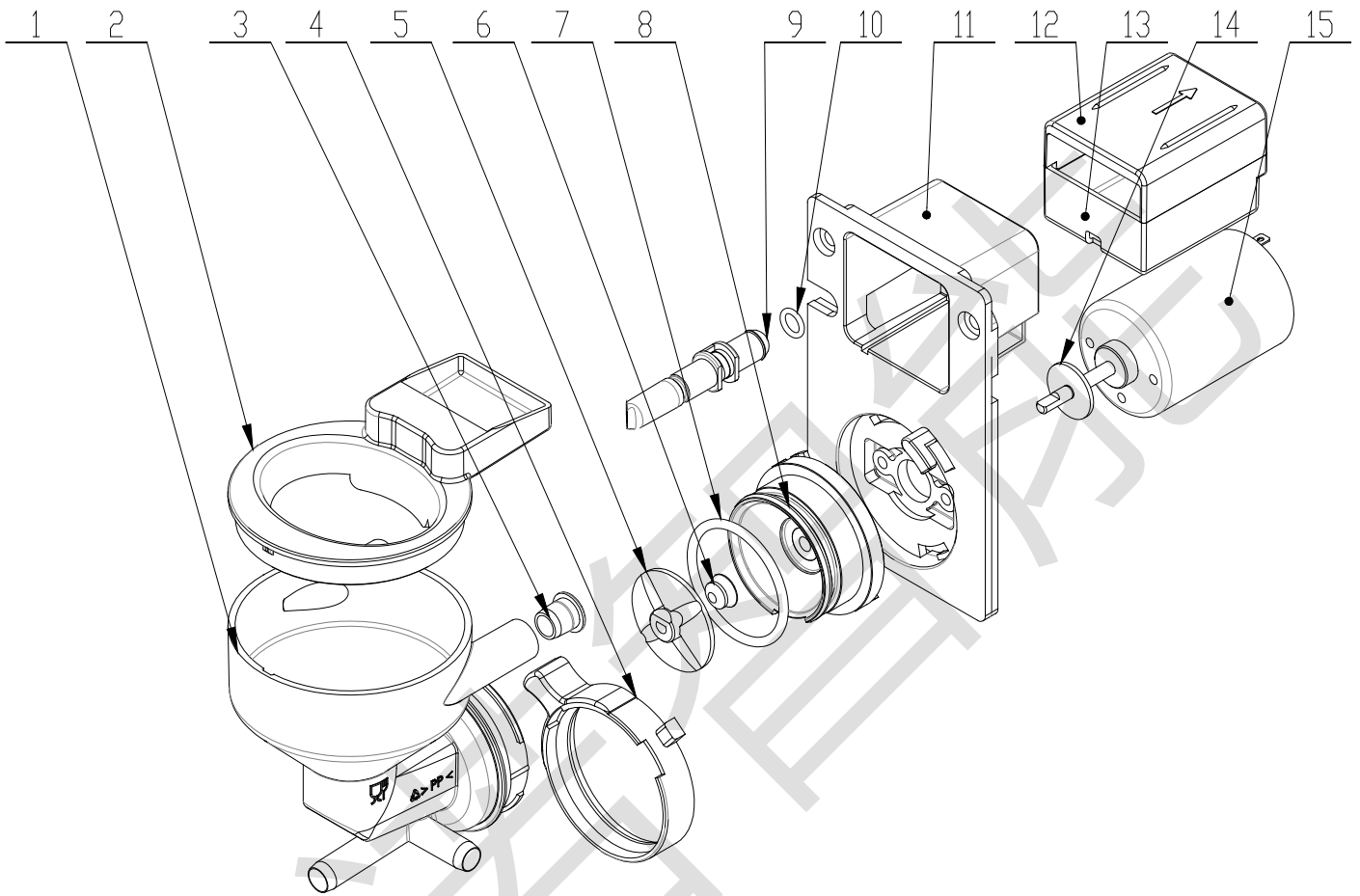
2-24 清单 (List)

编号 S/N	技诺料号 P/N	名称 Description	数量 Qty	备注 Remark
1	5111101600	卡扣式 D6 外螺纹 G1-8 接头 Clip-type Connector D6-G1/8	1	接头 Connectors
2	5206053000	6x4 猪嘴式接头密封圈 6x4 O-ring of Clip-type	14	密封圈 Seal ring
3	3403054900	高压柱塞泵 Piston pump (EP5)	1	泵 Pump
4	5111102600	柱塞泵减震支架 Shock absorbing bracket of pump	1	塑料件 Plastic parts
5	5126050500	柱塞泵支撑胶块 Lower bracket of pump	1	塑料件 Plastic parts
6	3201051200	D6 内螺纹 G1/8 快速接头 Quick connector D6-G1/8	1	接头 Connectors
7	3405050600	安全阀 Safety valve	1	阀 Valve
8	5133138800	JL22 球阀安装钣金 Ball Valve Cover plate	1	钣金件 Metal parts
9	6301110000	手动球阀开关标贴 (后背板) Ball Valve Label	1	标贴 Label
10	3201054800	手动球阀 Ball Valve	1	阀 Valve
11	5113134701	手动球阀固定钣金 Ball Valve Fix Metal	1	钣金件 Metal parts
12	5127050700	DPS 锅炉保温棉左盖 DPS Boiler Thermal Insulation Foam(Left)	1	保温棉 Insulation
13	5127050600	DPS 锅炉保温棉右盖 DPS Boiler Thermal Insulation Foam(Right)	1	保温棉 Insulation
14	3405053000	进水电磁阀 Water Solenoid Valve	1	阀 Valve
15	3201060400	2 分管隔板接头 (穿板) Through plate Connectors	1	接头 Connectors
16	3407050100	流量计 ODE (AB32-S21P020C-11R) Flowmeter	1	流量计 Flowmeter
17	5207061300	4X6 单端铜套特氟龙管 30MM 4X6 Teflon Tube 30MM (One Side Sleeve)	1	水管 Water pipe
18	5207063400	4X6 单端铜套特氟龙管 90MM 4X6 Teflon Tube 90MM (One Side Sleeve)	1	水管 Water pipe
19	5111101400	卡扣式 T 型 D6 三通接头 Clip-type T-Connector D6	3	接头 Connectors
20	5111102900	卡扣式 L 型 D4-D6 两通接头 Clip-type L-Connector D4-D6	2	接头 Connectors
21	5111300400	D6 特氟龙管直角卡扣 Elbow Buckle for D6 Teflon Tube	2	塑料件 Plastic parts

JL22-ES4C 零件手册 (Parts Catalogues)

22	5207060400	4X6 铜套特氟龙管 170MM 4X6 Teflon Tube 170MM (Both Side Sleeve)	1	水管 Water pipe
23	5405050600	温度感应器 接胶壳 NTC sensor	1	电子件 Electronic parts
24	3201052500	堵头 Plug	1	机加件 Machined parts
25	5405050500	温控器 (36TXE26) Temperature controller	2	电子件 Electronic parts
26	5207061500	4X6 铜套特氟龙管 55MM 4X6 Teflon Tube 55MM (Both Side Sleeve)	4	水管 Water pipe
27	6304050700	扎带 8*500 Ligature 8*500	1	标准件 Standard parts
28	5133128900	JL22 水路模组支架 Bracket For Hot Water Module	1	钣金件 Metal parts
29	3404052200	卡扣式煮水器_700cc_230V_2700W Clip-type Hot Water Boiler	1	锅炉 Boiler
30	5111101500	卡扣式 L 型弯管两通接头 D6 Clip-type L-Connector D6	1	接头 Connectors
---	3201052300	水路系统 卡环 ALC06M-B Snap Ring of Quick Connector	2	塑料件 Plastic parts
---	5115053700	6x4 卡扣式接头卡环 6x4 Clip-type snap ring	14	机加件 Machined parts

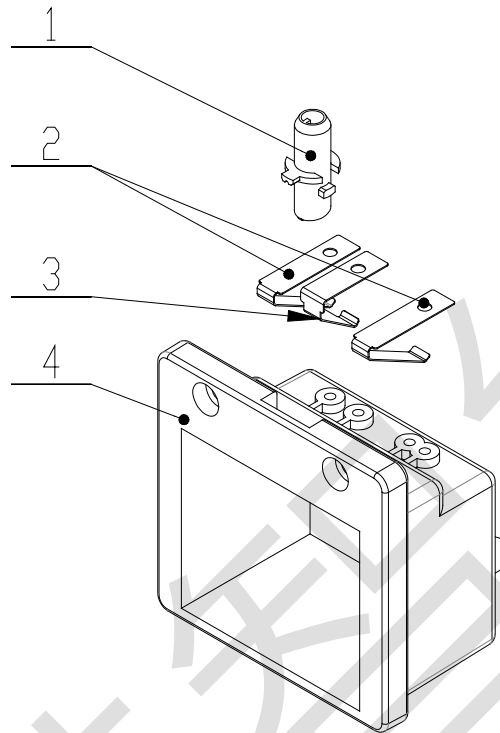
2-31 爆炸图 (Parts Catalogues)



2-31 清单 (List)

编号 S/N	技诺料号 P/N	名称 Description	数量 Qty	备注 Remark
1	5111094000	JL35 搅拌器本体 Mixer Main Bowl	1	塑料件 Plastic parts
2	YF10057700	机加搅拌器盖 Mixer Cover	1	塑料件 Plastic parts
3	5121052900	搅拌器进水堵头 Mixer Water Inlet Cover	1	塑料件 Plastic parts
4	5121050700	固定圈 (压环) Fixing Ring For Mixer	1	塑料件 Plastic parts
5	5121053200	混合叶轮 Mixing Wheel For Mixer	1	塑料件 Plastic parts
6	5206051100	V 型密封圈 V Ring For Mixer	1	密封圈 Seal ring
7	5206051300	O 型密封圈 ID33.5X2.65 O ring ID33.5X2.65	1	密封圈 Seal ring
8	5121052100	密封盖 (压盖) Sealing Cover For Mixer	1	塑料件 Plastic parts
9	3201050400	进水接头 Mixer Water Inlet Tube	1	塑料件 Plastic parts
10	5206051200	O 型密封圈 ID6X1.5 O ring ID6X1.5	1	密封圈 Seal ring
11	5111093800	JL35 搅拌器固定支架 Mixer Base	1	塑料件 Plastic parts
12	5121052700	搅拌器蒸汽入口上盖 Mixer Power Trap Upper Cover	1	塑料件 Plastic parts
13	5121052600	搅拌器蒸汽入口下盖 Mixer Power Trap Lower Cover	1	塑料件 Plastic parts
14	5305050300	塑胶垫片 Washer Wheel	1	塑料件 Plastic parts
15	3401050300	搅拌器马达 Mixer Motor	1	电机 Motor

2-32 爆炸图 (Parts Catalogues)



2-32 清单 (List)

编号 S/N	技诺料号 P/N	名称 Description	数量 Qty	备注 Remark
1	5121057500	溢流管接头 Overflow Pipe Connector	1	塑料件 Plastic parts
2	5123074200	探测组件弹片 1 Detecting Leaf Spring 1	2	机加件 Machined parts
3	5123074300	探测组件弹片 2 Detecting Leaf Spring 2	1	机加件 Machined parts
4	5121055600	滴水盘探测框架 Water Drip Plate Detecting Bracket	1	塑料件 Plastic parts