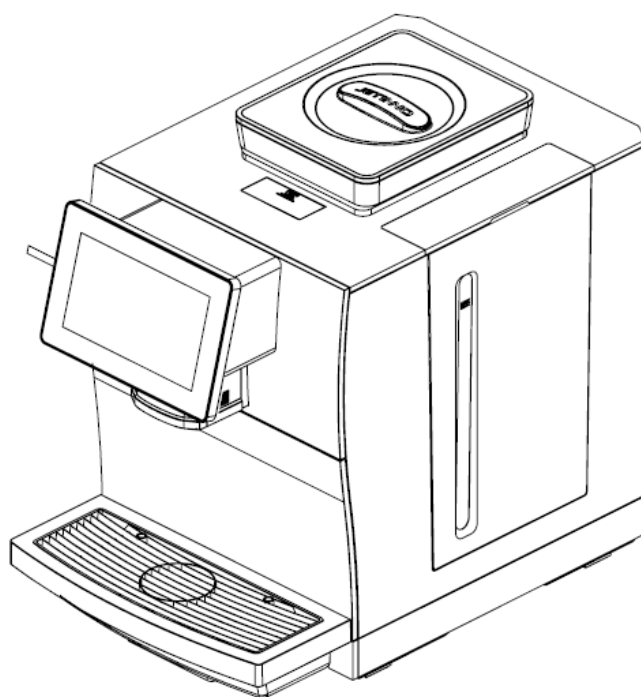


# JL15 零件手册

## JL15 Parts Catalogues



文档历史记录 (Document History)

名称 Description	版本 Version	日期 Date	修改说明 Amend Record	参与人员 Name
JL15 零件手册 JL15 Parts Catalogues	A	2024.08.07	新建 New	编写 Editor: 杨程 审核 Reviewed by: 批准 Approved by:



JL15 零件手册 (Parts Catalogues)

编号 S/N	技诺料号 P/N	名称 Description	数量 Qty	页码 Page number
1	5111308300	JL15&30 框架 JL15&30 Frame	1	2
2	5111309500	JL15&30 研磨器调节钥匙 JL15&30 Grinder Adjust Key	1	2
3	5111313200	JL15&30 框架前上面板 JL15&30 Frame Front Upper Panel	1	2
4	3111281800	JL15&30 显示屏及出水嘴组件 JL15&30 Display and Outlet Nozzle Assembly	1	7
5	6306064400	抽湿进风口聚醚海绵 Dehumidifying Air Inlet Polyther Sponge	1	2
6	2101051700	S20 咖啡酿造器 S20 Coffee Brewer	1	2
7	5111308400	JL15&30 中座 JL15&30 Centre Seat	1	2
8	5133145600	接水盘弹片 Drip Tray Shrapnel	2	2
9	5405101100	流量计 GMEHK3600002001 Flowmeter GMEHK3600002001	1	2
10	5406053700	三合一电源插座 3-in-1 Power Socket	1	2
11	5111315100	JL15 底座左盖板 JL15 Base Left Cover Plate	1	2
12	5111315200	JL15 底座右盖板 JL15 Base Right Cover Plate	1	2
13	5111315400	JL15 底座前左盖板 JL15 Base Front Left Cover Plate	1	2
14	5111315500	JL15 底座前右盖板 JL15 Base Front Right Cover Plate	1	2
15	3405057100	快插式进水电磁阀 (M-126F029) Quick-plug Inlet Solenoid Valve (M-126F029)	1	2
16	3405053900	鼎臣减压阀 Release Valve	1	2
17	3201050900	Y型接头 Plastic Tee	1	2
18	3405057700	接硅胶两位二通阀 Connecting Silicone 2P2W Valve	1	2
19	5111315000	JL15 底座 JL15 Base	1	2
20	5302054300	镀环保锌梅花槽盘头尖尾自攻螺钉 ST3.9*12 Zinc Plated Plum Flute Pan Head Point Tail Tapping Screw	20	2

Copying or forwarding the contents shall be subject to the written permission of JETINNO

JL15 零件手册 (Parts Catalogues)

		ST3.9*12		
21	3111281500	JL15&30 手动切换阀组件 JL15&30 Manual Switching Valve Assembly	1	11
22	5111315300	JL15 底座后盖板 JL15 Base Rear Cover Plate	1	2
23	5111316800	JL15&30 地脚 JL15&30 footing	5	2
24	3111284400	JL15 废水盒组件 JL15 Wastewater Bin Assembly	1	12
25	5111317000	JL15&30 RELEASE 阀固定座 JL15&30 Release Valve Fixed Base	1	2
26	3405057300	卡扣式宝塔两位三通阀 Snap-type Pagoda 2P3W Valve	2	2
27	5111317100	JL15&30 ES 阀固定座 JL15&30 ES Valve Fixed Base	1	2
28	3114000400	JL15&30 蒸汽冷凝盒超声波焊接组件 JL15&30 Ultrasonic Welding Assembly for Steam Condensate Box	1	2
29	5302053800	镀环保锌梅花槽盘头尖尾自攻螺钉 ST2.9*8 Zinc Plated Plum Flute Pan Head Point Tail Tapping Screw ST2.9*8	2	2
30	5403050100	干簧管长闭型 ORT551 (不带磁铁) Reed Switch ORT551 (without magnet)	1	2
31	3114000200	卡扣式稳流阀组件 Snap-type Stable-flow Valve Assembly	1	2
32	5116301500	电磁泵减震支架 Electromagnetic Pump Shock Absorbing Holder	1	2
33	3403055500	ARS 高压柱塞泵 CP4 ARS High Pressure Piston Pump CP4	1	2
34	5115053600	电磁泵减震弹簧 Electromagnetic Pump Shock Absorbing Spring	1	2
35	5116301700	水泵防震护圈 Water Pump Anti-vibration Ring	1	2
36	5111308900	JL15&30 锅炉组件隔热座 JL15&30 Boiler Assembly Thermal Insulation Seat	1	2
37	3405057500	卡扣式两位二通阀 Snap-type 2P2W Valve	2	2
38	5303050700	M6 法兰螺母 M6 Flange Nut	2	2
39	5111308800	JL15&30 锅炉组件底座 JL15&30 Boiler Assembly Base	1	2
40	5117051600	JL15&30 锅炉下盖	2	2

Copying or forwarding the contents shall be subject to the written permission of JETINNO

JL15 零件手册 (Parts Catalogues)

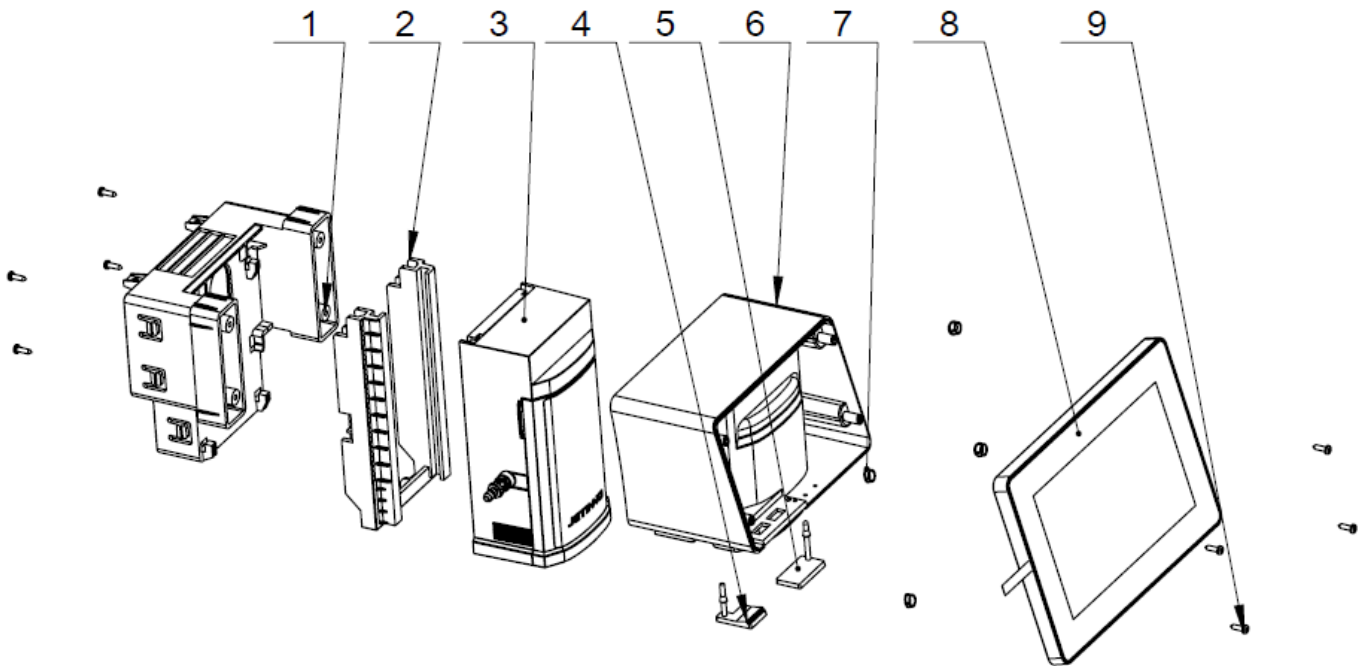
		JL15&30 Boiler Lower Cover		
41	3404052600	卡扣式锅炉(金田)_220V_1500W Snap-type Boiler_220V_1500W	1	2
42	3404052700	卡扣式锅炉(金田)_220V_1300W Snap-type Boiler_220V_1300W	1	2
43	3201065200	咖默尔 F 型卡扣 3 接头 F-type Snap 3W Connector	2	2
44	3201064100	KOMER 卡扣式 L 型 D4 接头 Snap-type L-D4 Connector	2	2
45	5301358700	镀环保锌梅花槽盘头螺钉 M6*30 Zinc Plated Plum Flute Pan Head Screw M6*30	2	2
46	5133063300	锅炉保险丝压片 Boiler Fuse Press	4	2
47	5301356700	梅花槽盘头螺钉 M4*8 Plum Flute Pan Head Screw M4*8	2	2
48	5117051500	JL15&30 锅炉上盖 JL15&30 Boiler Upper Cover	2	2
49	5305051400	平垫圈 3 GBT97.1 Flat Washer 3 GBT97.1	2	2
50	5301358900	不锈钢梅花槽盘头法兰螺钉 M3*16 Stainless Steel Plum Flute Pan Head Flange Screw M3*16	2	2
51	5111313400	JL15&30 框架左侧盖 JL15&30 Frame Left Cover Plate	1	2
52	3402052500	24V 风扇 6025 24V Fan 6025	1	2
53	3111281200	JL15&30PCBA 固定组件 JL15&30 PCBA Fixed Assembly	1	13
54	5111313500	JL15&30 框架后侧盖 JL15&30 Frame Rear Cover Plate	1	2
55	5111308700	JL15&30 抽风通道 JL15&30 Exhaust Channel	1	2
56	3111281100	立式粗细调节组件 Vertical Thickness Assembly	1	14
57	2103053000	SGH64 研磨器塑胶板 SGH64 Grinder Plastic Plate	1	2
58	5302054100	镀环保锌梅花槽盘头法兰平尾自攻螺钉 ST3.9*10 Zinc Plated Plum Flute Pan Head Flange Flat Tail Tapping Screw ST3.9*10	2	2
59	5111309100	JL15&30 出粉嘴 JL15&30 coffee powder outlet	1	2
60	5302054600	镀环保锌梅花槽盘头尖尾自攻螺钉 ST2.9*10 Zinc Plated Plum Flute Pan Head Point Tail Tapping Screw	49	2

Copying or forwarding the contents shall be subject to the written permission of JETINNO

JL15 零件手册 (Parts Catalogues)

		ST2.9*10		
61	5405101300	豆传感器 (JL15&JL30) Bean detected Sensor (JL15&30)	1	2
62	5133200300	JL15&30 缺豆传感器压板 JL15&30 Bean Sensor Pressing Plate	2	2
63	5111312400	JL15&30 豆盒底座 JL15&30 Bean Hopper Base	1	2
64	5116303800	JL15&30 豆盒底座与研磨器密封圈 JL15&30 Bean Hopper Base and Grinder Seal	1	2
65	5111313600	JL15&30 顶盖 JL15&30 Top Cover	1	2
66	5111313700	JL15&30 小水箱盖 JL15&30 Small Water Tank Cover	1	2
67	5111313800	JL15&30 粉料盖 JL15&30 Powder Cover	1	2
68	5111314800	JL15 豆盒 JL15 Bean Hopper	4	2
69	5301358400	镀环保锌梅花槽盘头尖尾自攻螺钉 ST2.9*18 Zinc Plated Plum Flute Pan Head Point Tail Tapping Screw ST2.9*18	4	2
70	3111281700	JL15&30 豆盒盖组件 JL15&30 Bean Hopper Cover Assembly	1	2
71	3111281400	JL15&30 水箱过滤组件 JL15&30 Water Tank Filter Assembly	1	15
72	5111313300	JL15&30 框架右侧盖 JL15&30 Frame Right Cover Plate	1	2
73	3111281300	JL15&30 小水箱组件 JL15&30 Small Water Tank Assembly	1	16
74	3405057600	空气阀 24V Air Valve 24V	1	2
75	5111303400	进气嘴 Air Inlet Nozzle	1	2
76	5208053200	7*7 海绵 7*7 Sponge	1	2

4、3111281800\_JL15&30 Display and Outlet Nozzle Assembly (Parts Catalogues)

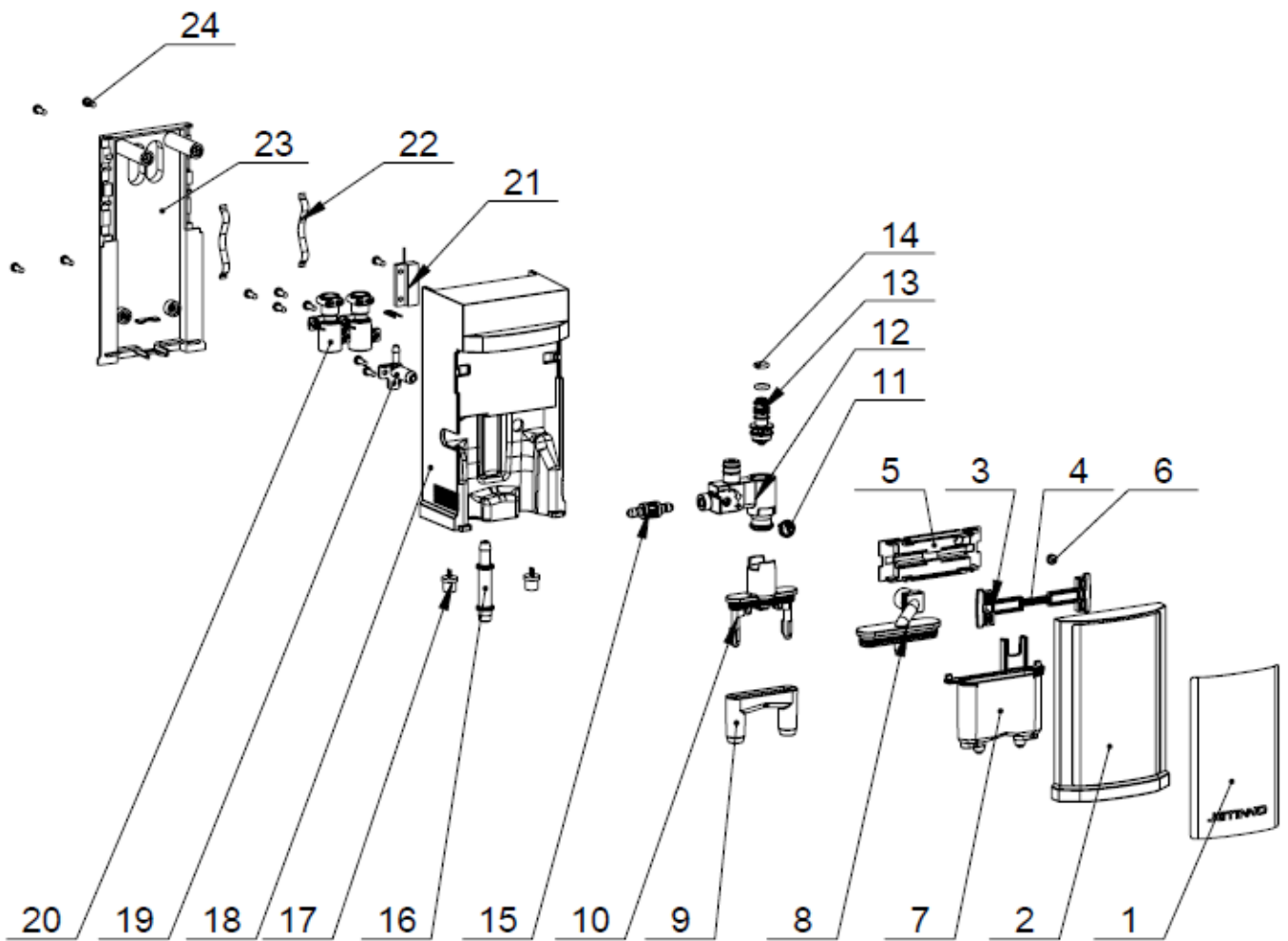


4、3111281800\_JL15&30 Display and Outlet Assembly (List)

编号 S/N	技诺料号 P/N	名称 Description	数量 Qty	页码 Page number
4-1	5111309600	JL15&30 头部支架 JL15&30 Head Holder	1	7
4-2	5111310000	JL15&30 出嘴滑槽 JL15&30 Spout Slide Rail	1	7
4-3	3111281900	JL15&30 滑动出嘴组件 JL15&30 Sliding Spout Assembly	1	8
4-4	5116302700	JL15&30 USB 口密封胶垫 1 JL15&30 USB Port Glue Cushion 1	1	7
4-5	5116302800	JL15&30 USB 口密封胶垫 2 JL15&30 USB Port Glue Cushion 2		7
4-6	5111309700	JL15&30 显示屏组件固定座 JL15&30 Display Assembly Fixed Base	1	7
4-7	5305051300	JL15&30 触摸屏安装座螺丝盖 JL15&30 Screw Cover for Touch Screen Mounting Base	4	7
4-8	3111282200	JL15&30 7 英寸显示屏组件 JL15&30 7" Touch Display Assembly	1	10
4-9	5302054600	镀环保锌梅花槽盘头尖尾自攻螺钉 ST2.9*10 Zinc Plated Plum Flute Pan Head Point Tail Tapping Screw ST2.9*10	8	7
4-10	5302053900	镀环保锌梅花槽盘头尖尾自攻螺钉 ST2.9*6 Zinc Plated Plum Flute Pan Head Point Tail Tapping Screw ST2.9*6	4	7

Copying or forwarding the contents shall be subject to the written permission of JETINNO

4-3、3111281900\_JL15&30 Sliding Spout Assembly (Parts Catalogues)



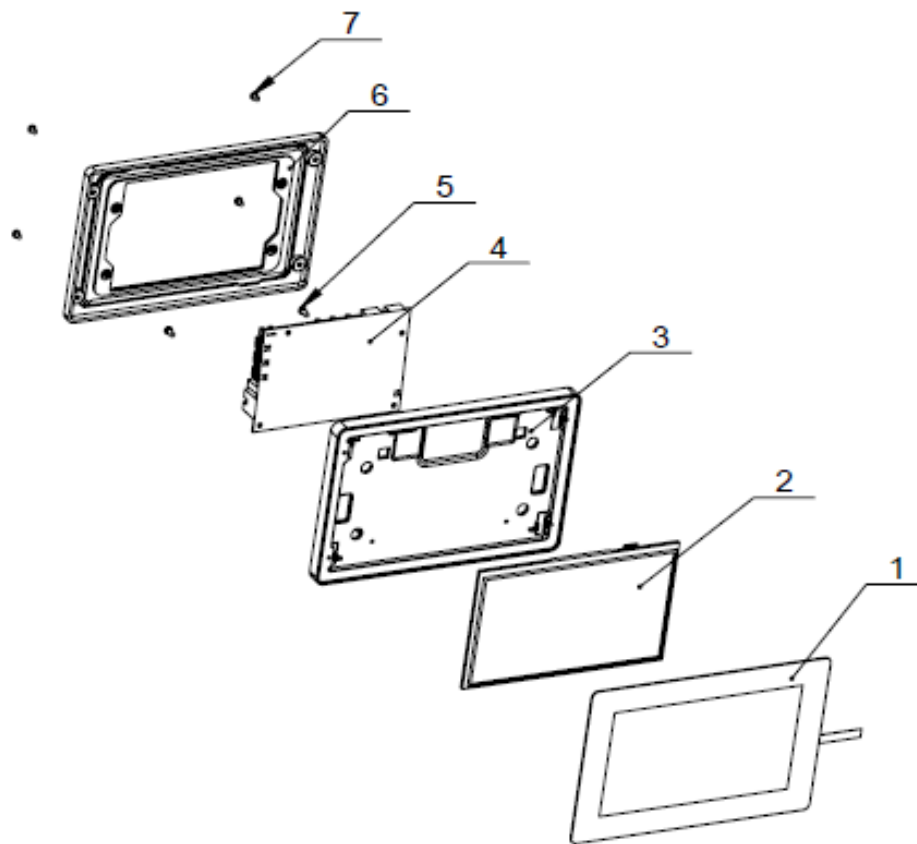
4-3、3111281900\_JL15&30 Sliding Spout Assembly (List)

编号 S/N	技诺料号 P/N	名称 Description	数量 Qty	页码 Page number
4-3-1	5133200800	JL15&30 出嘴 LOGO 板 JL15&30 Spout LOGO Plate	1	8
4-3-2	5111310400	JL15&30 出嘴盖板 JL15&30 Spout LOGO Cover Plate	1	8
4-3-3	5111312300	JL15&30 出嘴盖板卡扣 JL15&30 Spout LOGO Cover Plate Snap	2	8
4-3-4	5115055100	JL15&30 出嘴盖板卡扣弹簧 JL15&30 Spout LOGO Cover Plate Snap Spring	1	8
4-3-5	5111310200	JL15&30 出嘴盖板卡扣安装座 JL15&30 Spout LOGO Cover Plate Snap Mounting Base	1	8
4-3-6	5205052100	钕铁硼磁铁直径 $\phi 6$ *厚度 3 NdFeB Magnet $\phi 6*3$	1	8

JL15 零件手册 (Parts Catalogues)

4-3-7	5111310500	JL15&30 出嘴咖啡通道 JL15&30 Coffee Spout	1	8
4-3-8	5111316400	JL15&30 出嘴咖啡通道密封橡胶 JL15&30 Coffee Spout Seal Rubber	1	8
4-3-9	5111310600	JL15&30 鲜奶出嘴流道 JL15&30 Fresh Milk Spout		
4-3-10	5111316600	JL15&30 鲜奶出嘴流道封盖 JL15&30 Fresh Milk Spout Cover Plate	1	8
4-3-11	5111102800	温度调节螺丝 Temperature Adjustment Screw	1	8
4-3-12	5111316500	JL15&30 鲜奶加热腔 JL15&30 Fresh Milk Heating Chamber	1	8
4-3-13	5111100000	蒸汽喷嘴 Steam Spout	1	8
4-3-14	5206053000	6*4 卡扣式接头密封圈 6*4 Snap-type Seal Ring	2	8
4-3-15	5111314500	JL15&30 奶管接头 JL15&30 Milk Tube Connector	1	8
4-3-16	5111314400	JL15&30 热水嘴 JL15&30 Hot Water Spout	1	8
4-3-17	5402166100	LED 灯连接线 (JL15&JL30) LED Light Connection Cable (JL15&JL30)	1	8
4-3-18	5111310100	JL15&30 滑动出嘴 JL15&30 Sliding Spout	1	8
4-3-19	5111313900	JL15&30 蒸汽空气卡扣式接头 JL15&30 Steam-Air Snap-type Connector	2	8
4-3-20	5111314200	JL15&30 咖啡出嘴接头 JL15&30 Coffee Spout Connector	1	8
4-3-21	5403050100	干簧管长闭型 ORT551(不带磁铁) Reed Switch ORT551 (without magnet)	1	8
4-3-22	5133200700	JL15&30 滑动出嘴弹片 JL15&30 Sliding Spout Shrapnel	2	8
4-3-23	5111309900	JL15&30 滑动出嘴后盖板 JL15&30 Sliding Spout Rear Cover Plate	1	8
4-3-24	5302054600	镀环保锌梅花槽盘头尖尾自攻螺钉 ST2.9*10 Zinc Plated Plum Flute Pan Head Point Tail Tapping Screw ST2.9*10	11	8

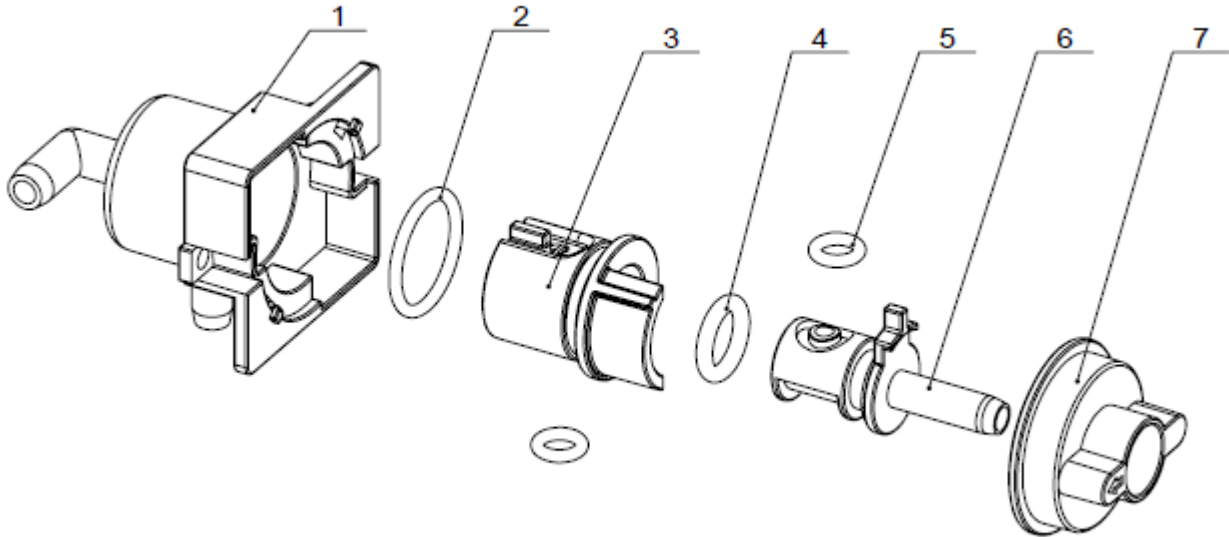
4-8、3111282200\_JL15&30 7" Touch Display Assembly (Parts Catalogues)



4-8、3111282200\_JL15&30 7" Touch Display Assembly (List)

编号 S/N	技诺料号 P/N	名称 Description	数量 Qty	页码 Page number
4-8-1	3406056000	7 英寸触摸屏 7" Touch Screen	1	10
4-8-2	3409100800	7 英寸 MIP 显示屏 7" MIP Display	1	10
4-8-3	5111317200	7 英寸触摸屏安装座 7" Touch Screen Mounting Base	1	10
4-8-4	3311063200	JNMB-A133	1	10
4-8-5	5302053800	镀环保锌梅花槽盘头尖尾自攻螺钉 ST2.9*8 Zinc Plated Plum Flute Pan Head Point Tail Tapping Screw ST2.9*8	2	10
4-8-6	5111309800	JL15&30 7 英寸显示屏底座 JL15&30 7" Display Base	1	10
4-8-6	5302053900	镀环保锌梅花槽盘头尖尾自攻螺钉 ST2.9*6 Zinc Plated Plum Flute Pan Head Point Tail Tapping Screw ST2.9*6	4	10

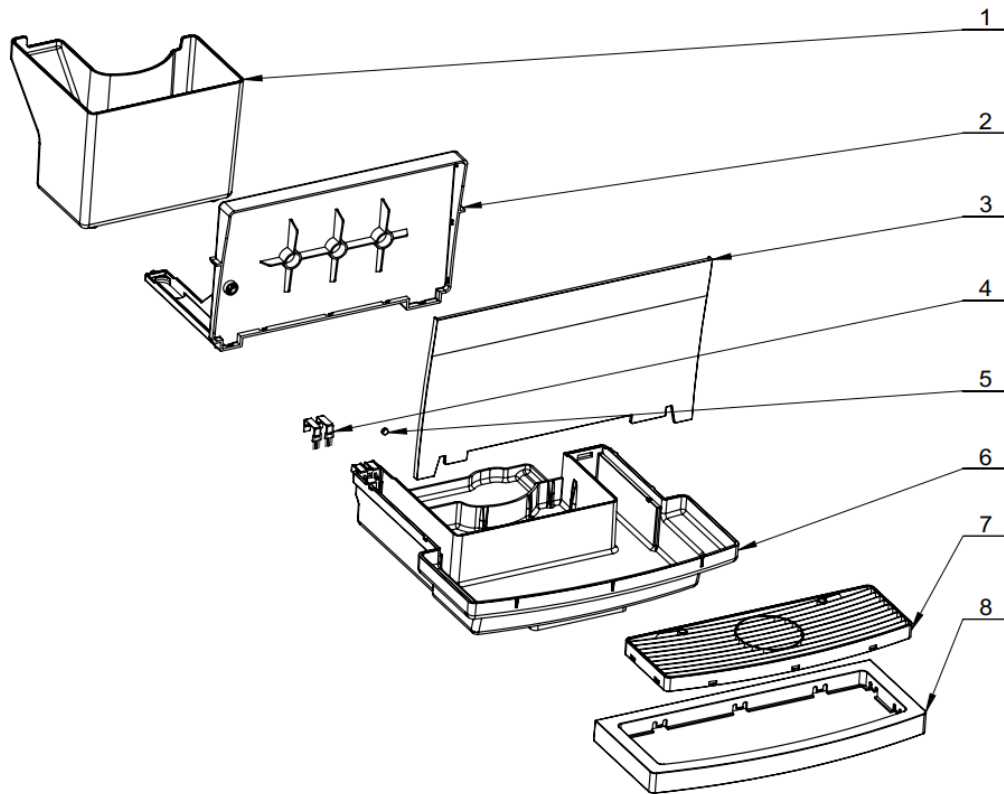
21、3111281500\_JL15&30 Manual Switching Valve Assembly (Parts Catalogues)



21、3111281500\_JL15&30 Manual Switching Valve Assembly (List)

编号 S/N	技诺料号 P/N	名称 Description	数量 Qty	页码 Page number
21-1	5111311300	JL15&30 手动切换阀固定座 JL15&30 Manual Switching Valve Fixed Base	1	11
21-2	5206055000	JL15&30 手动切换阀旋钮密封圈 JL15&30 Manual Switching Valve Seal Ring	1	11
21-3	5111311500	JL15&30 手动切换阀旋钮 JL15&30 Manual Switching Valve Knob	1	11
21-4	5206054900	JL15&30 手动切换阀接头密封圈 JL15&30 Manual Switching Valve Connector Seal Ring	1	11
21-5	5206054800	JL15&30 手动切换阀出水端密封圈 s JL15&30 Manual Switching Valve Outlet Seal Ring	2	11
21-6	5111311600	JL15&30 手动切换阀接头 JL15&30 Manual Switching Valve Connector	1	11
21-7	5111311400	JL15&30 手动切换阀旋钮盖 JL15&30 Manual Switching Valve Knob Cover	1	11

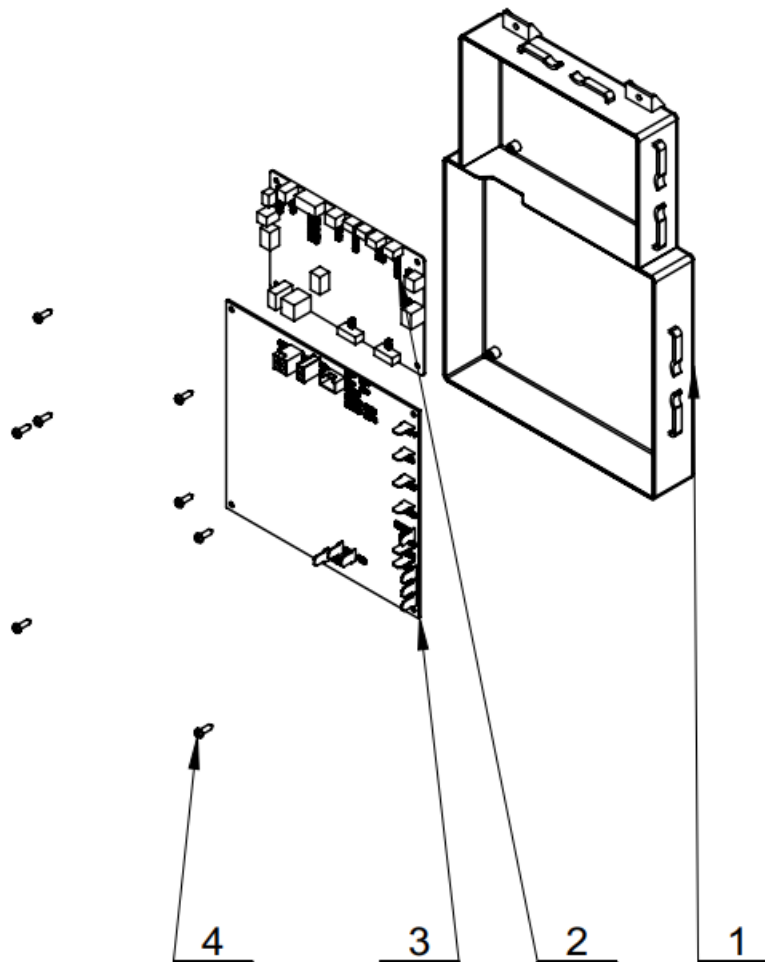
24、3111282300\_ JL30 Wasterwater drip tray Assembly (Parts Catalogues)



24、3111282300\_ JL30 Wasterwater Bin Assembly (Assembly List)

编号 S/N	技诺料号 P/N	名称 Description	数量 Qty	页码 Page number
2-1	5111314700	JL15 废渣盒 JL15 Waste Box	1	12
2-2	5111311900	JL15&30 废水盒盖 JL15&30 Wasterwater drip tray Cover	1	12
2-3	5111311800	JL15&30 框架前下面板 JL15&30 Frame Front Lower Plate	1	12
2-4	5133200900	JL15&30 废水满感应片 JL15&30 Wasterwater full detected Sensor	2	12
2-5	5205052100	钕铁硼磁铁直径 $\varnothing 6$ *厚度 3 NdFeB Magnet $\varnothing 6*3$	1	12
2-6	5111314600	JL15 废水盒 JL15 Wasterwater Box	1	12
2-7	5111312300	JL15&30 废水盒塑料网 JL15&30 Wasterwater Bin Plastic Net	1	12
2-8	5111312200	JL15&30 废水盒装饰板 JL15&30 Wasterwater Bin Decorative Plate	1	12

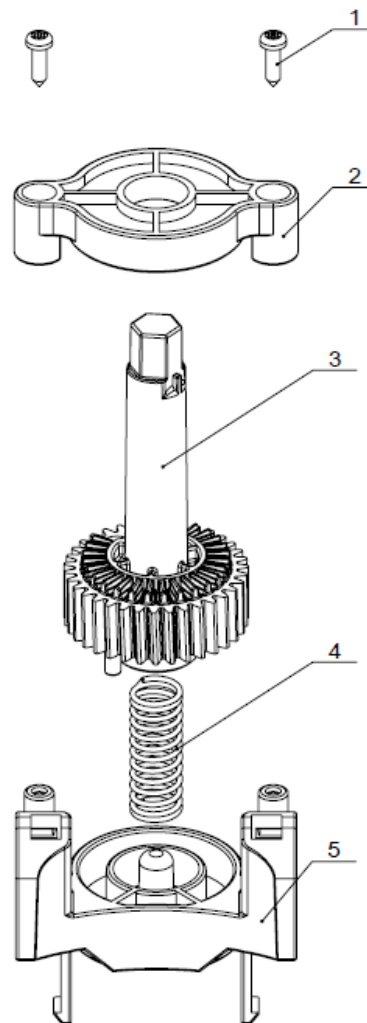
53、3111281200\_JL15&30 PCBA Fixed Assembly (Parts Catalogues)



53、3111281200\_JL15&30 PCBA Fixed Assembly (List)

编号 S/N	技诺料号 P/N	名称 Description	数量 Qty	页码 Page number
53-1	5111308600	JL15&30PCBA 固定支架 JL15&30 PCBA Fixed Holder	1	13
53-2	3311063300	JL30_IO 板 JL30_Placa IO	1	13
53-3	3311063500	JL15-30 POWER PCBA V20	1	13
53-4	530205460	镀环保锌梅花槽盘头尖尾自攻螺钉 ST2.9*10 Zinc Plated Plum Flute Pan Head Point Tail Tapping Screw ST2.9*10	8	13

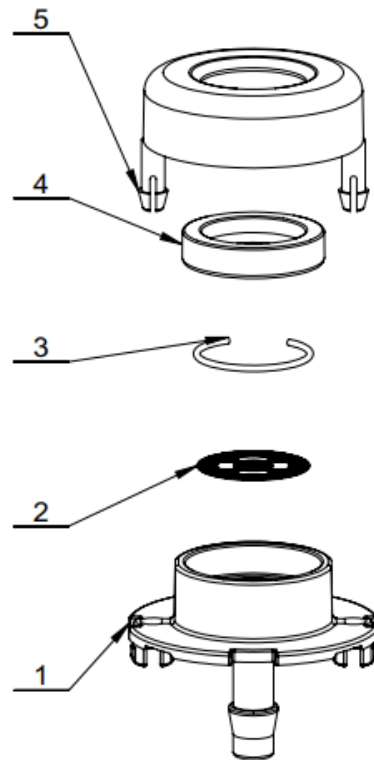
56、3111281100\_Vertical Thickness Assembly (Parts Catalogues)



56、3111281100\_Vertical Thickness Assembly (List)

编号 S/N	技诺料号 P/N	名称 Description	数量 Qty	页码 Page number
56-1	5302054600	镀环保锌梅花槽盘头尖尾自攻螺钉 ST2.9*10 Zinc Plated Plum Flute Pan Head Point Tail Tapping Screw ST2.9*10	2	14
56-2	5111309300	JL15&30 粗细调节限位齿 JL15&30 Thickness Adjustable Limit Teeth	1	14
56-3	5111309200	JL15&30 粗细调节齿轮 JL15&30 Thickness Adjustable Gear	1	14
56-4	5115054800	JL15&30 解锁弹簧 JL15&30 Unlock Spring	1	14
56-5	5111309400	JL15&30 粗细调节安装座 JL15&30 Thickness Adjustable Mounting Base	1	14

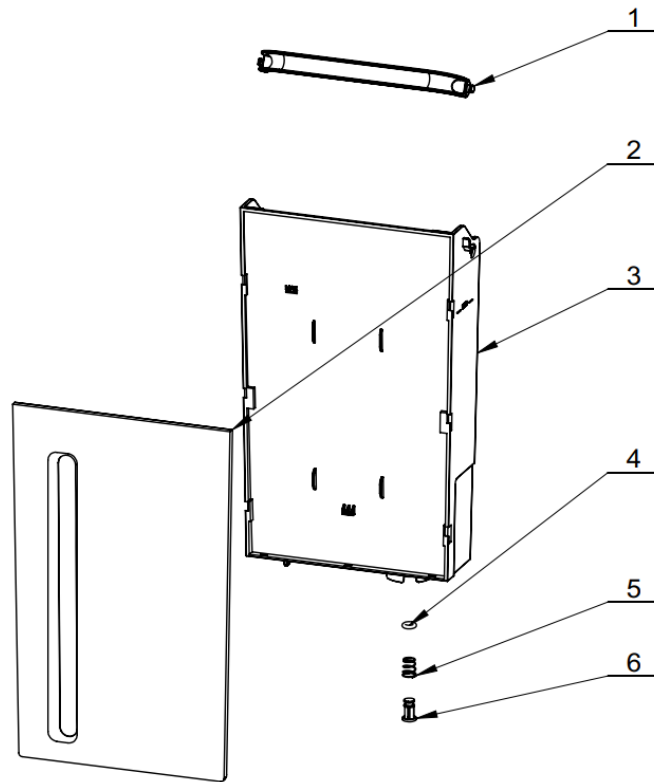
72、3111281400\_JL15&30 Water Tank Filter Assembly (Parts Catalogues)



72、3111281400\_JL15&30 Water Tank Filter Assembly (List)

编号 S/N	技诺料号 P/N	名称 Description	数量 Qty	页码 Page number
72-1	5111310700	JL15&30 水箱滤网固定座 JL15&30 Water Tank Filter Fixed Base	1	15
72-2	5114069100	JL15&30 水箱滤网 JL15&30 Water Tank Filter	1	15
72-3	5115055000	JL15 水箱滤网限位环 JL15 Water Tank Filter Limit Ring	1	15
72-4	5111316200	JL15&30 水箱滤网密封圈 JL15&30 Water Tank Filter Seal Ring	1	15
72-5	5111310800	JL15&30 水箱滤网盖 JL15&30 Water Tank Filter Cover	1	15

74、3111281300\_JL15&30 Small Water Tank Assembly (Parts Catalogues)



74、3111281300\_JL15&30 Small Water Tank Assembly (List)

编号 S/N	技诺料号 P/N	名称 Description	数量 Qty	页码 Page number
74-1	5111311100	JL15&30 小水箱把手 JL15&30 Small Water Tank Handle	1	16
74-2	5111311000	JL15&30 水箱侧板 JL15&30 Water Tank Side Plate	1	16
74-3	5111310900	JL15&30 小水箱体 JL15&30 Small Water Tank Body	1	16
74-4	5206054600	JL15&30 水箱单向阀密封圈 JL15&30 Water Tank Check Valve Seal Ring	1	16
74-5	5115054900	JL15&30 水箱单向阀弹簧 JL15&30 Water Tank Check Valve Spring	1	16
74-6	5111314300	JL15&30 水箱单向阀 JL15&30 Water Tank Check Valve	1	16